

Mini Command Victory Relay: 10A SPDT

10A Relay In A Small Package For Tight Spaces

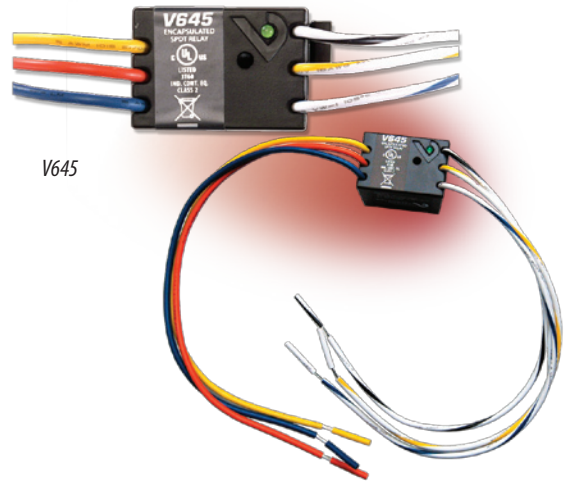
APPLICATIONS

- Sense voltages for alarm conditions
- Relay logic
- Isolation
- Device interlocking

FEATURES

Victory 645...economical multi-voltage relay

- 24-30VAC/DC or 120VAC coil input
- Status LED for visual indication
- For start/stop of small motors & contactors
- Switch up to 10A@250VAC
- Multiple mounting options for versatility...ships with foam tape, mounting screw, and DIN Rail clip



DESCRIPTION

The **Victory 645** is an economical, multi-purpose relay designed for control of loads up to 10A. Its small size allows for space saving utility in panels and field enclosures.

TYPICAL COIL PERFORMANCE

Voltage	Coil Current	
	AC	DC
24-30V.....	32mA	13mA
120V.....	17mA	—

CONTACT RATINGS

Resistive.....	10A@250VAC, N.O.
	7A@250VAC, N.C.
	6A@277VAC
	7A@30VDC
Motor.....	125VAC, 1/4 HP, N.O.

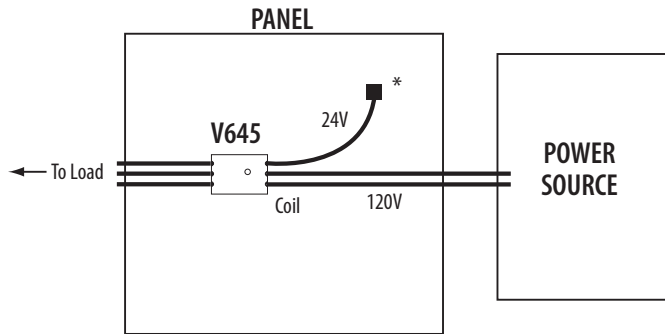
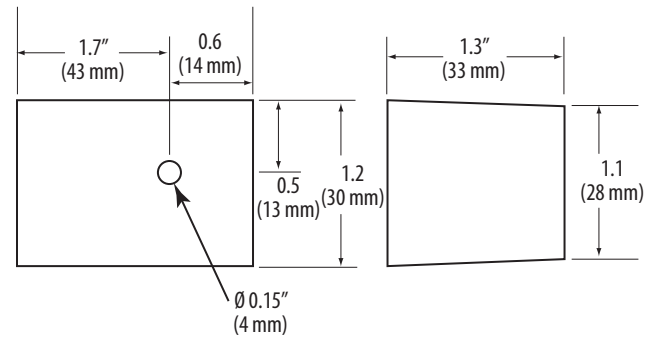
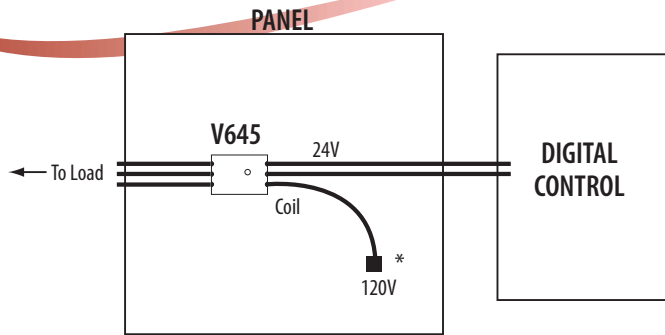
SPECIFICATIONS

Temperature Range	0° to 60° C (32° to 140°F)
Operating Humidity	10% - 90% RH, non-condensing
Expected Relay Life	Electrical (@ rated current) 100,000 cycles; Mechanical (unpowered) 10,000,000 cycles
Relay Status	LED ON = Energized
Dielectric Strength	1500VAC RMS
<i>Wire Specifications:</i>	
Lead Length	10"(254mm) min.
Gauge	UL1015; Coil: 18AWG; Contacts: 16AWG

UL 508 enclosed device listing

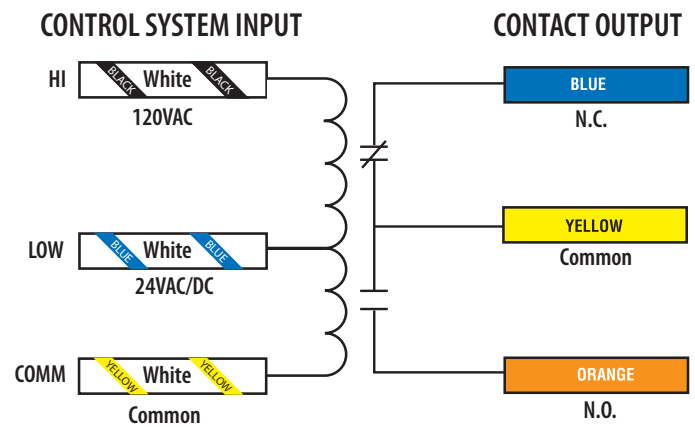
APPLICATION/ WIRING EXAMPLES

DIMENSIONAL DRAWING

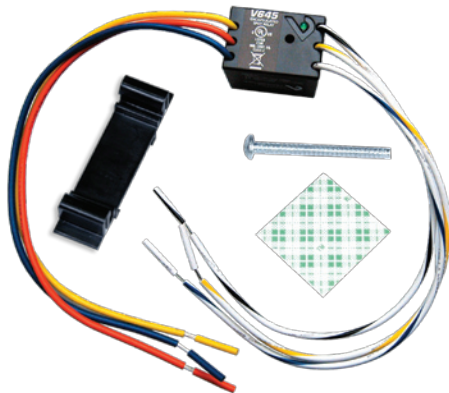


* Wire is capped on unused option.

WIRE COLOR CODES



APPLICATION/MOUNTING METHOD



The V645 comes with a DIN rail clip, screw, and foam tape for a variety of mounting methods.

ORDERING INFORMATION



MODEL	RELAY	COIL	AMPERAGE RATING	RELAY POWER LED	UL
V645	SPDT	24-30VAC/DC, 120VAC	10A	●	●

ACCESSORIES

DIN Rail, DIN Stop Clip (AV01, AV02)