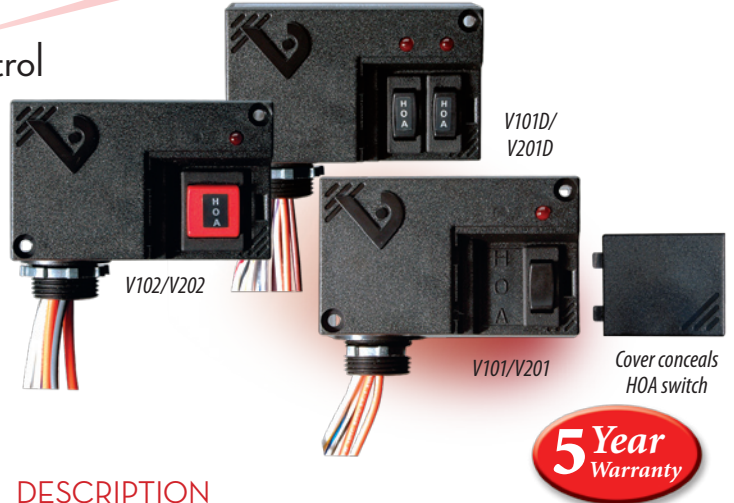


Enclosed Victory Relays: 10A SPST, with HOA Switches

Relays With HOA Switches For Added Control



5 Year
Warranty

APPLICATIONS

- Command contactors
- Control motors
- Isolation
- Device interlocking
- Relay logic
- Sense voltages for alarm conditions

FEATURES

Sleek field enclosure eliminates the need for panel space

- The nipple mount feature allows the Victory series to be mounted to any electrical enclosure
- Flexible tinned stranded wire...fits easily in tight spaces and provides secure connections to wire nuts
- UL508 Listed...designed and approved for field installation...makes electrical inspection a snap

Concealed HOA switch reduces the likelihood of tampering

- Out of sight, out of mind...eliminate curiosity switching
- Eliminate costly control system override and service calls

HOA position monitor improves control

- The HOA monitors (available with the V102/V202 & V103/V203 models) allow the control system to notify the building owner when a motor is inadvertently left in ON or OFF position.

DESCRIPTION

With a concealed HOA switch for local control and troubleshooting, the **Victory 101/102/103 Series** relays provide HOA flexibility while limiting unauthorized switch manipulation. To further guard against control system override, some relays are equipped with a monitored HOA. The V102/V202 provide a two-wire resistive output and the V103/V203 offer a three-wire digital monitor. Now your customers and technicians can enjoy the benefit of local control without the problems often caused by override.

TYPICAL COIL PERFORMANCE

Pull in Voltage	AC		DC
	10-30V.....	8	9
120V.....	78		
208-277V.....	154		
Drop Out Voltage	AC		DC
	10-30V.....	2	3
120V.....	18		
208-277V.....	36		
Voltage	Coil Current		
	AC	DC	
10V.....	25mA	14mA	
24V.....	31mA	16mA	
30V.....	39mA	18mA	
120V.....	22mA	-	
208V.....	19mA	-	
277V.....	25mA	-	

CONTACT RATINGS

V101, V201, V101D*, V201D*
Resistive..... 10A@250VAC
Motor..... 1/3HP@120VAC
Gold Flash..... Yes
V102, V103, V202, V203
Resistive..... 10A@277VAC
Motor..... 1/3HP@120VAC
Gold Flash..... Yes

*each relay

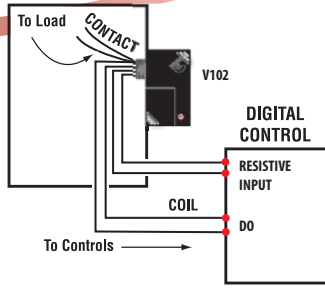
SPECIFICATIONS

Operating Temperature	-40° to 55°C (-40° to 131°F)
Operating Humidity	10-90% RH, non-condensing
Expected Relay Life	Electrical (@ rated current) 100,000 cycles; Mechanical (unpowered) 10,000,000 cycles
Relay Status	LED ON=energized
<i>Wire Specifications:</i>	
Lead Length	14"(356mm) min.
Gauge	UL1015; Coil: 18AWG; Contacts: 16AWG; HOA monitor wires: 16AWG
Insulation Class	600VAC RMS
<i>V102/V202 Resistive Monitor Maximums:</i>	
Voltage Max.	13.4VAC/DC
Current Max.	4mA AC/DC
<i>V103/203 Digital Monitor Maximums:</i>	
Dry Circuit Contact Rating (Max.)	24VAC/DC@100mA

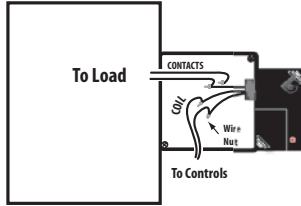
UL 508 enclosed device listing

APPLICATION/WIRING EXAMPLES

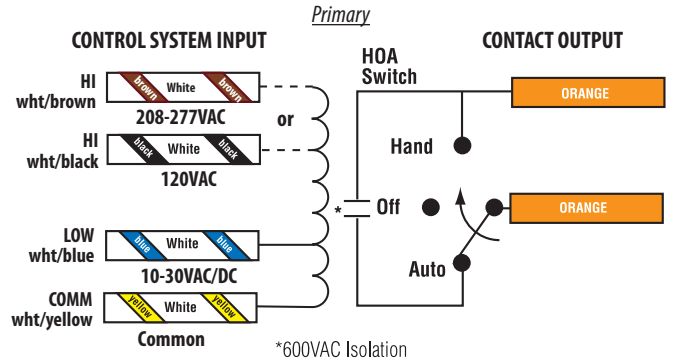
Nipple mount directly to a panel



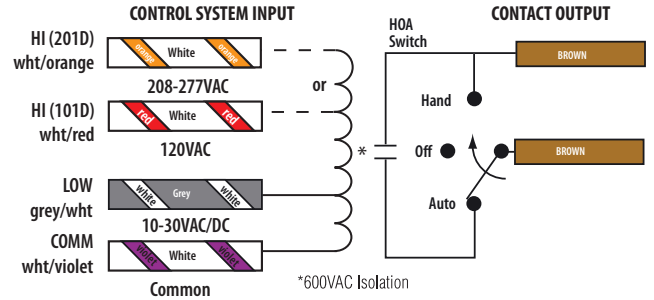
Nipple mount to any 2x or 4x electrical box



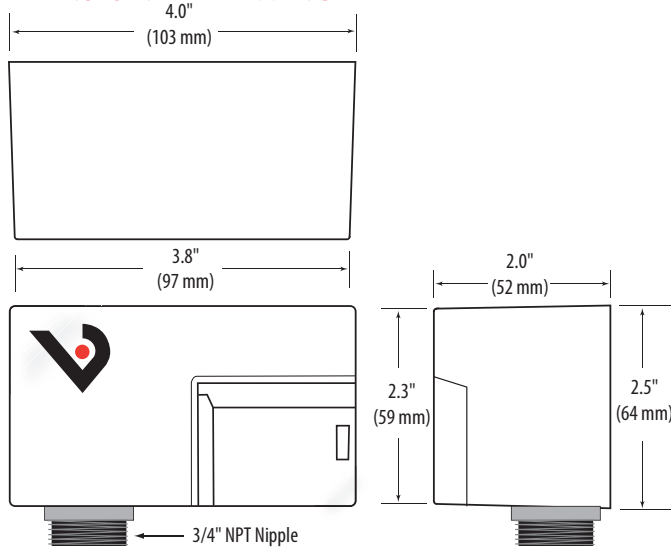
WIRE COLOR CODES



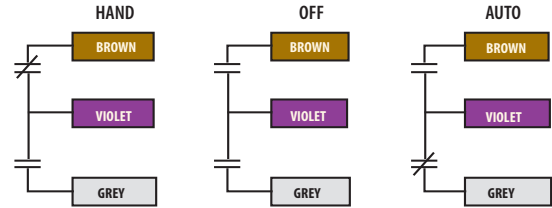
Relay #2 for V101D/V201D only



DIMENSIONAL DRAWING

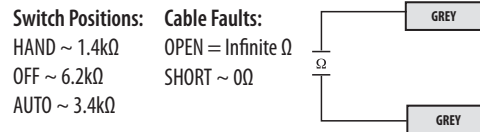


V103/203 DIGITAL HOA POSITION MONITOR



Switch Positions:
 HAND = Brown wire closed to Common
 OFF = Both wires open to Common
 AUTO = Grey wire closed to Common
 VIOLET = Common

V102/202 RESISTIVE HOA POSITION MONITOR



ORDERING INFORMATION



MODEL	RELAY	COIL	AMPERAGE RATING	HOA	HOA MONITOR	RELAY POWER LED	UL
V101	SPST, N.O.	10-30VAC/DC, 120VAC	10A	●	None	●	●
V101D	2x SPST, N.O.	10-30VAC/DC, 120VAC		●	None	●	●
V102	SPST, N.O.	10-30VAC/DC, 120VAC		●	Resistive	●	●
V103	SPST, N.O.	10-30VAC/DC, 120VAC		●	Digital	●	●
V201	SPST, N.O.	10-30VAC/DC, 208-277VAC		●	None	●	●
V201D	2x SPST, N.O.	10-30VAC/DC, 208-277VAC		●	None	●	●
V202	SPST, N.O.	10-30VAC/DC, 208-277VAC		●	Resistive	●	●
V203	SPST, N.O.	10-30VAC/DC, 208-277VAC		●	Digital	●	●

Some devices are plenum rated per UL 2043...see White Paper VWP01 at veris.com for details