

Enclosed Victory Relays: 10A SPDT

Great For External Mount Applications

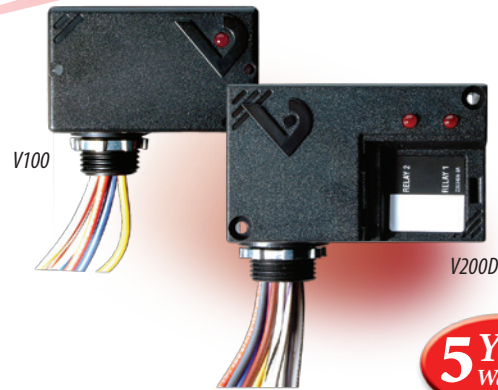
APPLICATIONS

- Command contactors
- Control motors
- Isolation
- Device interlocking
- Relay logic
- Sense voltages for alarm conditions

FEATURES

Sleek field enclosure eliminates the need for panel space

- The nipple mount feature allows the Victory Series to be mounted to any electrical enclosure
- Flexible tinned stranded wire...fits easily in tight spaces & provides secure connections to wire nuts
- UL508 Listed...designed and approved for field installation...makes electrical inspection a snap
- Run low voltage to load instead of line voltage... eliminate conduit in some applications



DESCRIPTION

Victory 100/200 Series 10A enclosed relays are pilot-duty relays in an easy-to-use nipple mount enclosure. The V100/V200 Series provide quick relay mounting without a dedicated field enclosure, making them ideal for retrofit projects. Field-selectable high and low voltage coil inputs provide on-site versatility.

TYPICAL COIL PERFORMANCE		
Pull in Voltage	AC	DC
10-30V.....	8	9
120V.....	78	
208-277V.....	154	
Drop Out Voltage	AC	DC
10-30V.....	2	3
120V.....	18	
208-277V.....	36	
Voltage	Coil Current	
	AC	DC
10V.....	25mA	14mA
12V.....	25mA	14mA
24V.....	31mA	16mA
30V.....	39mA	18mA
120V.....	22mA	-
208V.....	19mA	-
277V.....	25mA	-

CONTACT RATINGS	
Resistive	10A@277VAC, 28VDC
Motor	120VAC, 1/3HP N.O. & 1/6HP N.C. 240VAC, 1/3HP N.O. & 1/6HP N.C. 277VAC, 1/4HP N.O. & 1/8HP N.C.
Pilot Duty	277VAC, (1.7A), 480VA N.O.
Ballast	277VAC, 1.7A
Tungsten	120VAC, TV3 N.O. TV2 N.C.
Gold Flash	Yes

SPECIFICATIONS

Operating Temperature:

V100, V100DC, V200 -34° to 60°C (-29° to 140°F)

V100D, V200D -40° to 55°C (-40° to 131°F)

Operating Humidity 10-90% RH, non-condensing

Expected Relay Life Electrical (@ rated current) 100,000 cycles; Mechanical (unpowered) 10,000,000 cycles

Relay Status LED ON=energized

Wire Specifications:

Lead Length 14"(356mm) min.

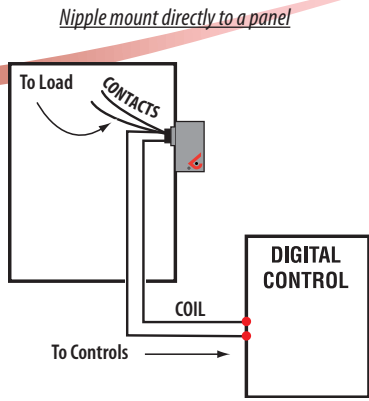
Gauge UL1015; Coil: 18AWG; Contacts: 16AWG

Insulation Class 600VAC RMS

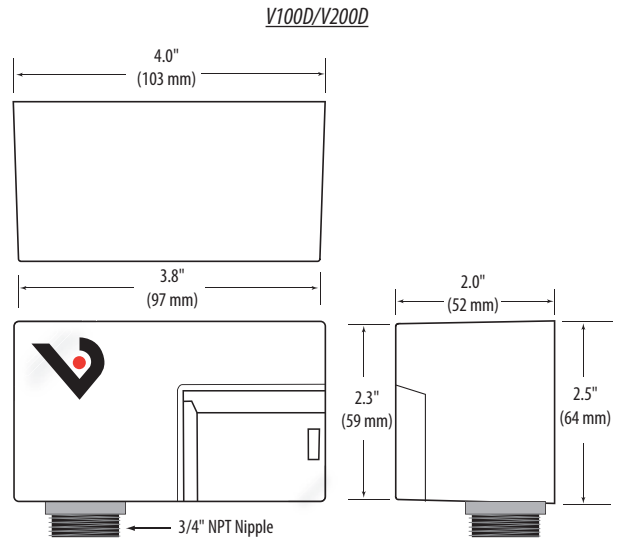
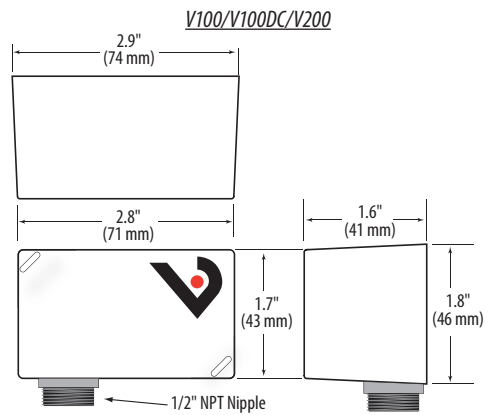
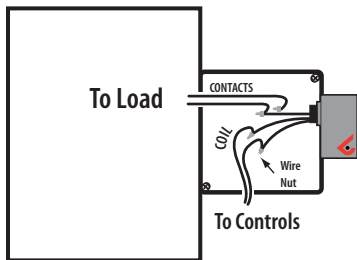
UL 508 enclosed device listing

APPLICATION/WIRING EXAMPLES

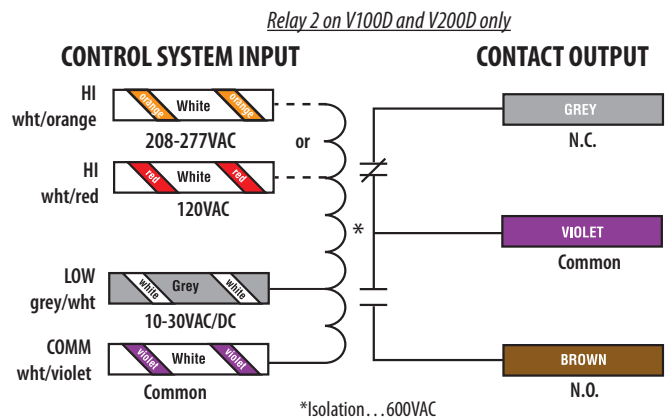
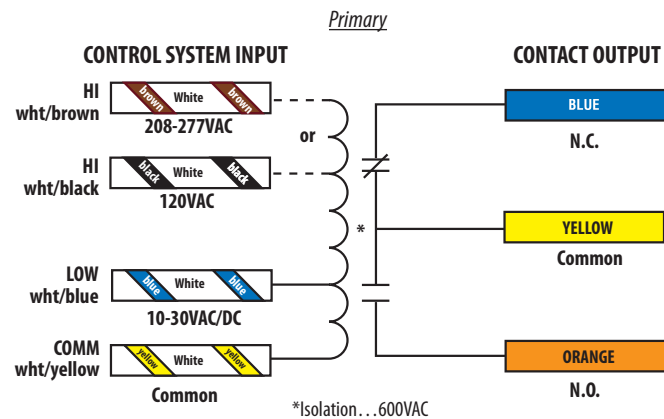
DIMENSIONAL DRAWINGS



Nipple mount to any 2x or 4x electrical box



WIRE COLOR CODES



ORDERING INFORMATION



MODEL	RELAY	COIL	AMPERAGE RATING	RELAY POWER LED	UL
V100	SPDT	10-30VAC/DC, 120VAC	10A	●	●
V100D	2x SPDT	10-30VAC/DC, 120VAC		●	●
V100DC	SPDT	10-30VDC		●	●
V200	SPDT	10-30VAC/DC, 208-277VAC		●	●
V200D	2x SPDT	10-30VAC/DC, 208-277VAC		●	●

Some devices are Plenum rated per UL 2043...see White Paper VWP01 at veris.com for details