

# V-NBV24 Actuator Series

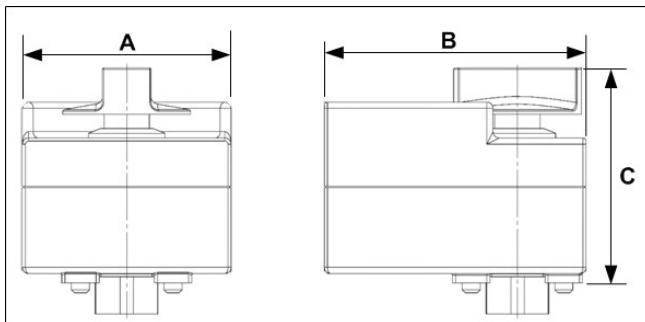
On/Off, Floating (3-Point), Modulating  
Non-Spring Return



Specification		(F) Floating, On/Off †	(M) Modulating ††
Control	Signal	On/Off, Floating (3-Point)	2-10 VDC, 4-20mA
	Input Impedance	0.36 kΩ	100 kΩ
Power	Voltage AC	24 VAC/60 Hz ± 20%	
	Voltage DC	N/A	24 VDC -10% +20%
	Consumption	1 W	0.5 W
	Transformer	1 VA (Class 2)	
	Connection	Terminals, Cable: 3 Ft (1 m), 10 Ft (3 m)	
Operation	Runtime (Motor)	90 seconds	
	Manual Override	Push-down knob	
	Rotation Angle	90°	
	Position Indicator	Manual Knob	
	Noise	35 dBA	
Housing	Protection	NEMA 1 / IP40	
	Rating	UL94-5V (B)	
Temp	Ambient	-22°F to 122°F (-30°C to 50°C)	
	Storage	-40°F to 176°F (-40°C to 80°C)	
	Humidity	5 to 95% non-condensing	
Agency Listing	<ul style="list-style-type: none"> <li>• cULus UL 60730-1A/-2-14,</li> <li>• CAN/CSA E60730-1:02,</li> <li>• CE according to 2004/108/EC and 2006/95/EC for line voltage</li> </ul>		

† Rated impulse voltage 330V, Control pollution degree 2, Type of action 1  
 †† Rated impulse voltage 500V, Control pollution degree 2, Type of action 1

## Dimensions



A		B		C	
inch	mm	inch	mm	inch	mm
2.64	67	3.31	84	2.72	69

Direct/Reverse acting switch is under wiring cover.  
 R = CW with decrease in signal  
 L = CCW with decrease in signal  
 No feedback

Floating, On/Off: V-NBV24F  
 Modulating: V-NBV24M

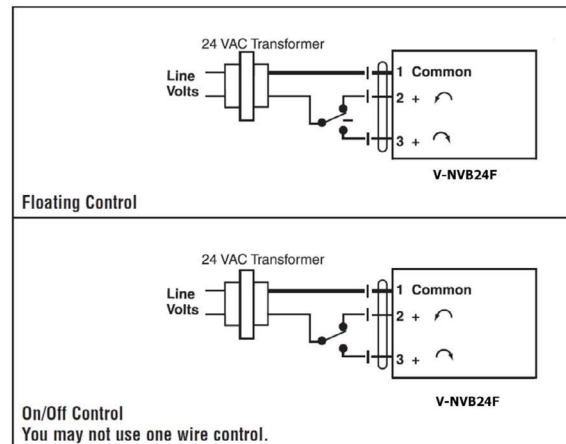


## WARNING

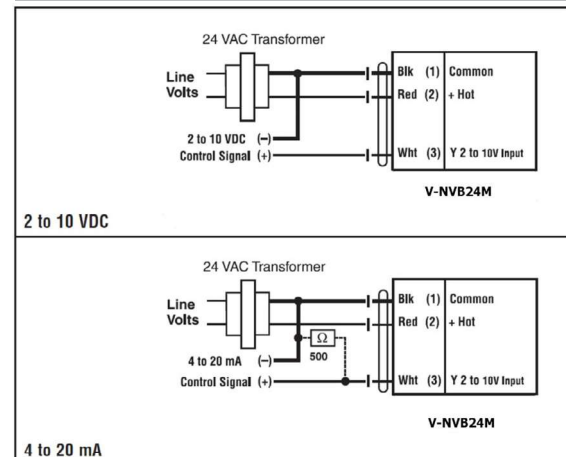


Connect the Actuator Common to the Controller Hot connection. Actuator must be installed by licensed or electrically trained technician. Failure to follow electrical safety precaution when working with live electrical connection could result in injury or death.

## Floating and On/Off Wiring



## Modulating Wiring



# V-NDV24 Actuator Series

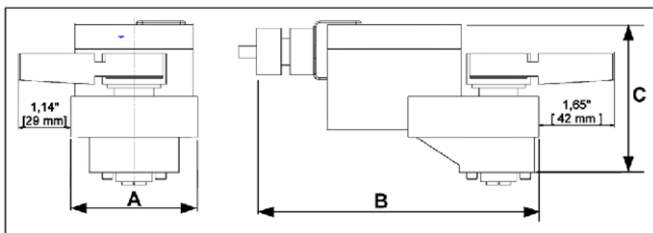
On/Off, Floating (3-Point), Modulating  
Non-Spring Return



Specification		(F) Floating, On/Off †	(M) Modulating †
Control	Signal	On/Off, Floating (3-Point)	2-10 VDC, 4-20mA
	Input Impedance	600 Ω	100 kΩ
	Feedback Signal		1-10 VDC
Power	Voltage AC	24 VAC 50/60 Hz ± 20%	
	Voltage DC	24 VDC ±10%	
	Overload Protection	Electronic overload protection	
	Consumption Running	1.5 W	1.5 W
	Consumption Holding	0.2 W	0.4 W
	Transformer	2 VA (Class 2)	3 VA (Class 2)
Operation	Connection	Terminals, Plum rated cable 18GA: 3Ft(1m), 10 Ft (3m)	
	Runtime (Motor)	90 seconds	
	Manual Override	Push-button	
	Rotation Angle	90°, adjustable using Screwed tabs	
	Rotation Direction	Direction Switch	
	Position Indicator	Manual Knob	
Housing	Noise	35 dBA	
	Protection	NEMA 1 / IP40	
	Rating	UL94-5V (B)	
Temp	Ambient	-22°F to 122°F (-30°C to 50°C)	
	Storage	-40°F to 176°F (-40°C to 80°C)	
	Humidity	5 to 95% non-condensing	
Agency Listing	<ul style="list-style-type: none"> <li>• cULus UL 60730-1A/-2-14,</li> <li>• CAN/CSA E60730-1:02,</li> <li>• CE according to 2004/108/EC and 2006/95/EC for line voltage</li> </ul>		

† Rated impulse voltage 800V, Control pollution degree 3, Type of action 1

## Dimensions



A		B		C	
inch	mm	inch	mm	inch	mm
2.80	71.0	6.20	157.5	3.22	82.0

Meets cULus or UL and CSA requirements without the need of an electrical ground connection

Floating, On/Off: V-NDV24F  
Modulating: V-NDV24M

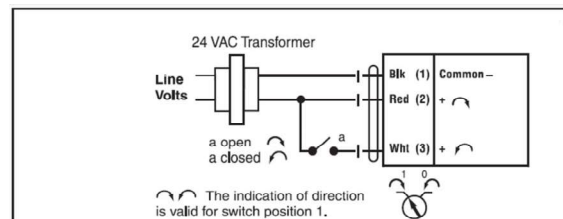


## WARNING

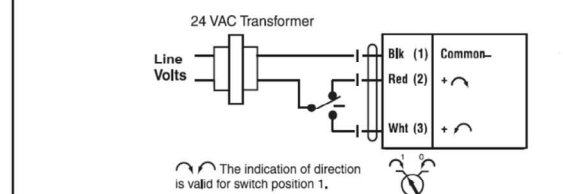


Connect the Actuator Common to the Controller Hot connection Actuator must be installed by licensed or electrically trained technician Failure to follow electrical safety precaution when working with live electrical connection could result in injury or death

## Floating and On/Off Wiring

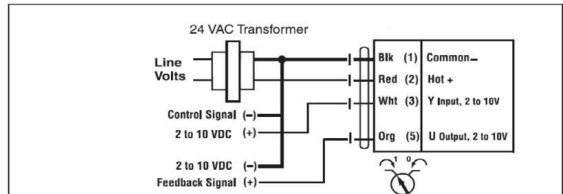


On/Off

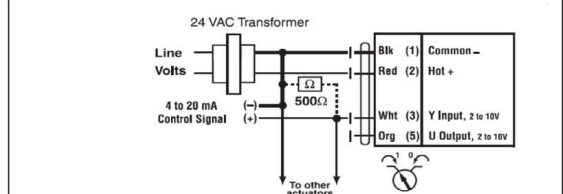


Floating Point or On/Off

## Modulating Wiring



2 to 10 VDC



4 to 20 mA

# V-NFV24 Actuator Series

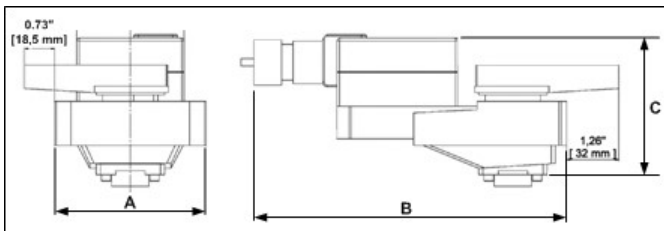
On/Off, Floating (3-Point), Modulating  
Non-Spring Return



Specification		(F) Floating, On/Off †	(M) Modulating †
Control	Signal	On/Off, Floating (3-Point)	2-10 VDC, 4-20mA
	Input Impedance	600 Ω	100 kΩ
	Feedback Signal		1-10 VDC
Power	Voltage AC	24 VAC 50/60 Hz ± 20%	
	Voltage DC	24 VDC ±10%	
	Overload Protection	Electronic overload protection	
	Consumption Running	2.5 W	2.5 W
	Consumption Holding	0.2 W	0.4 W
	Transformer	6 VA (Class 2)	5 VA (Class 2)
	Connection	Terminals, Plenum rated cable 18GA: 3 Ft (1m), 10 Ft (3m)	
Operation	Runtime (Motor)	90 seconds	
	Manual Override	Push-button	
	Rotation Angle	90°, adjustable using Screwed tabs	
	Rotation Direction	Direction Switch	
	Position Indicator	Manual Knob	
	Noise	45 dBA	
Housing	Protection	NEMA 2 / IP54	
	Rating	UL94-5VA	
Temp	Ambient	-22°F to 122°F (-30°C to 50°C)	
	Storage	-40°F to 176°F (-40°C to 80°C)	
	Humidity	5 to 95% non-condensing	
Agency Listing	<ul style="list-style-type: none"> <li>• cULus UL 60730-1A/-2-14,</li> <li>• CAN/CSA E60730-1:02,</li> <li>• CE according to 2004/108/EC and 2006/95/EC for line voltage</li> </ul>		

† Rated impulse voltage 800V, Control pollution degree 3, Type of action 1

## Dimensions



A		B		C	
inch	mm	inch	mm	inch	mm
2.6	66	8.82	224	3.31	84

Meets cULus or UL and CSA requirements without the need of an electrical ground connection

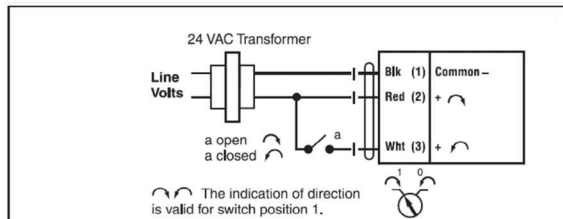
Floating, On/Off: V-NFV24F  
Modulating: V-NFV24M



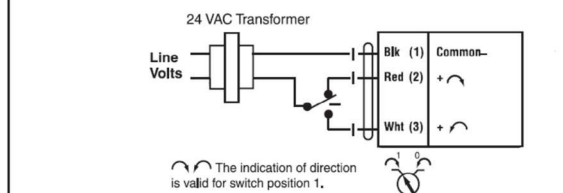
## WARNING

Connect the Actuator Common to the Controller Hot connection Actuator must be installed by licensed or electrically trained technician Failure to follow electrical safety precaution when working with live electrical connection could result in injury or death

## Floating and On/Off Wiring

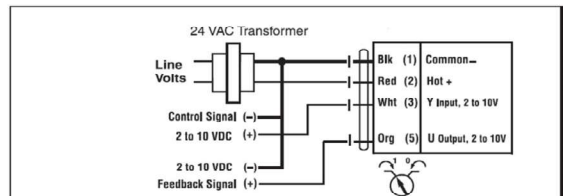


On/Off

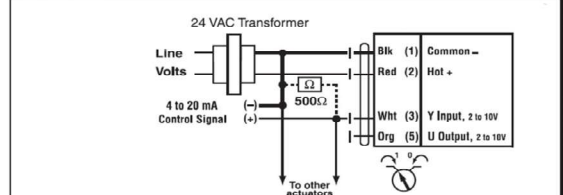


Floating Point or On/Off

## Modulating Wiring



2 to 10 VDC



4 to 20 mA

# V-NHV24 Actuator Series

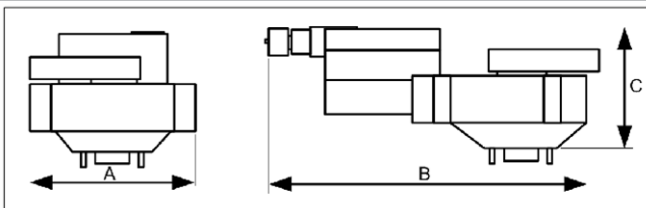
On/Off, Floating (3-Point), Modulating  
Non-Spring Return



Specification		(F) Floating, On/Off †	(M) Modulating †
Control	Signal	On/Off, Floating (3-Point)	2-10 VDC, 4-20mA
	Input Impedance	600 Ω	100 kΩ(0.1mA) 500kΩ
	Feedback Signal		1-10 VDC (max 0.5 mA)
Power	Voltage AC	24 VAC 50/60 Hz ± 20%	
	Voltage DC	24 VDC ±10%	
	Overload Protection	Electronic overload protection	
	Consumption Running	4.0 W	4 5 W (2W)
	Consumption Holding	2 W	0 4 W
	Transformer	6 VA (Class 2)	6.5 VA (Class 2)
	Connection	Terminals, Plenum rated cable 18GA: 3Ft (1 m), 10 Ft (3 m)	
Operation	Runtime (Motor)	150 seconds	
	Manual Override	Push-button	
	Rotation Angle	90°, adjustable using Screwed tabs	
	Rotation Direction	Direction Switch	
	Position Indicator	Manual Knob	
	Noise	45 dBA	
Housing	Protection	NEMA 2 / IP54	
	Rating	UL94-5VA	
	Ambient	-22°F to 122°F (-30°C to 50°C)	
Temp	Storage	-40°F to 176°F (-40°C to 80°C)	
	Humidity	5 to 95% non-condensing	
	Agency Listing	<ul style="list-style-type: none"> <li>• cULus UL 60730-1A/-2-14,</li> <li>• CAN/CSA E60730-1:02,</li> <li>• CE according to 2004/108/EC and 2006/95/EC for line voltage</li> </ul>	

† Rated impulse voltage 800V, Control pollution degree 3, Type of action 1

## Dimensions



A		B		C	
inch	mm	inch	mm	inch	mm
5.3	135	9.5	241	4.0	102

Meets cULus or UL and CSA requirements without the need of an electrical ground connection

Floating, On/Off: V-NHV24F  
Modulating: V-NHV24M

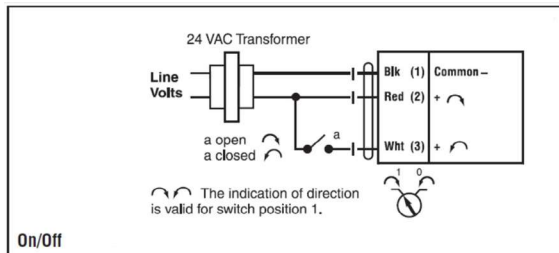


## WARNING

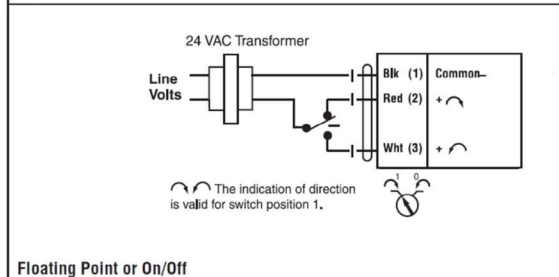


Connect the Actuator Common to the Controller Hot connection Actuator must be installed by licensed or electrically trained technician Failure to follow electrical safety precaution when working with live electrical connection could result in injury or death

## Floating and On/Off Wiring

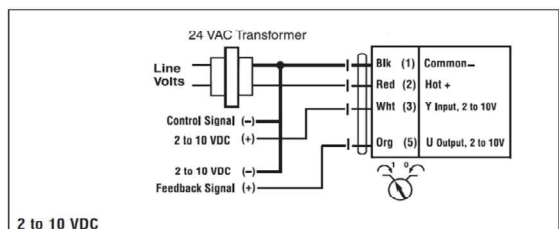


On/Off

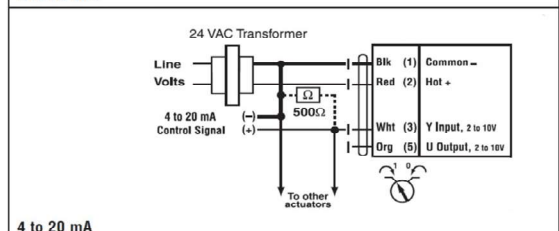


Floating Point or On/Off

## Modulating Wiring



2 to 10 VDC



4 to 20 mA

# V-NHV24 Actuator Series

On/Off, Floating (3-Point), Modulating  
Non-Fail-Safe



## Actuator Specifications and Wiring Diagrams

Specifications		(F) Floating, On/Off †	(M) Modulating †
Control	Signal	On/Off, Floating (3-Point)	2-10 VDC, 4-20mA
	Input Impedance	600 Ω	100 kΩ
	Feedback Signal		1-10 VDC
Power	Voltage AC	24 VAC 50/60 Hz ± 20%	
	Voltage DC	24 VDC ±10%	
	Overload Protection	Electronic overload protection	
	Consumption Running	4 W	2.5 W
	Consumption Holding	2 W	0.4 W
	Transformer	6 VA (Class 2)	5 VA (Class 2)
	Connection	Terminals, Plenum rated cable 18 GA: 3 Ft. (1 m), 10 Ft. (3 m)	
Operation	Runtime (Motor)	95 seconds	
	Manual Override	Push-button	
	Rotation Angle	90°, adjustable using Screwed tabs	
	Rotation Direction	Direction Switch	
	Position Indicator	Manual Knob	
	Noise	45 dBA	
Housing	Protection	NEMA 2 / IP54	
	Rating	UL94-5VA	
Temp.	Ambient	-22°F to 122°F (-30°C to 50°C)	
	Storage	-40°F to 176°F (-40°C to 80°C)	
	Humidity	5 to 95% non-condensing	
Agency Listing	<ul style="list-style-type: none"> <li>• cULus UL 60730-1A/-2-14,</li> <li>• CAN/CSA E60730-1:02,</li> <li>• CE according to 2004/108/EC and 2006/95/EC for line voltage</li> </ul>		

† Rated impulse voltage 800V, Control pollution degree 3, Type of action 1

Floating, On/Off: V-NHV24F  
Modulating: V-NHV24M



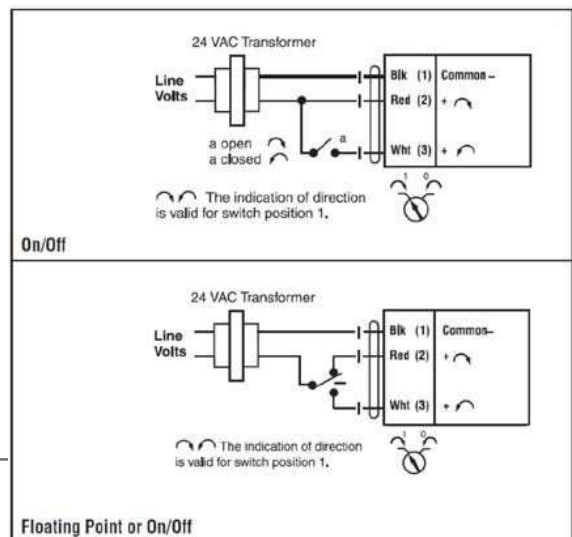
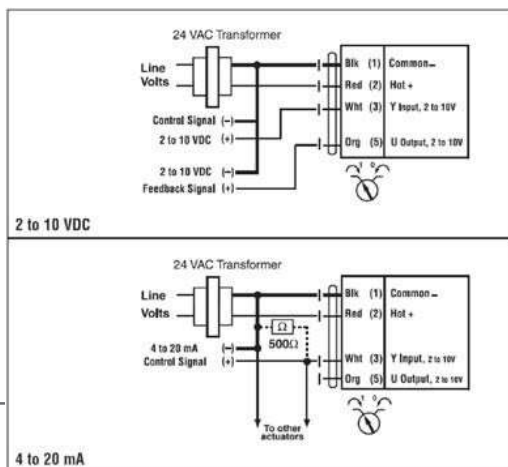
**WARNING**  
 Connect the Actuator Common to the Controller Hot connection. Actuator must be installed by licensed or electrically trained technician. Failure to follow electrical safety precaution when working with live electrical connection could result in injury or death.

### Floating and On/Off Wiring

Meets cULus or UL and CSA requirements without the need of an electrical ground connection.

### Wiring

#### Modulating Wiring



# N1-Series (24V / 120V / 230V) Actuator

On/Off, Floating (3-Point), Modulating  
Non-Fail-Safe



## Actuator Specifications



Specifications		N1V24	N1V24M
Control	Control Type	On/Off	Proportional
	Auxiliary Switches (2) Two	10A 250vac	10A 250vac
Power	Supply	24VAC - 24VDC	24VAC - 24VDC
	Current Draw (Start/Run/LRA)	2.1A / 1.2A / 2.3A	
	Motor - 24vdc Perm Magnet Brush Type	6W	6W
	Duty Cycle	75%	75%
	Motor Starts, per hour, Max	1200	1200
	Motor Protection, Temp / Class	Class B	Class B
	Electrical Entry (2)	1/2" EMT or Nylon gland	
Operation	Position Indicator (Raised)	Yes	
	Speed (90°) DC, seconds	8	8
	Manual Override	Hand Wheel	



Specifications		N1V120	N1V120M	N1V230	N1V230M
Control	Control Type	On/Off	Proportional	On/Off	Proportional
	Auxiliary Switches (2) Two	10A 250vac	10A 250vac	10A 250vac	10A 250vac
Power	Supply	120V	120V	230V	230V
	Current Draw (Start/Run/LRA)	.39A / .36A / .48A		.23A / .21A / .28A	
	Motor - ( ) Split-Phase Cap TENV	(120vac) 10W	(120vac) 10W	(230vac) 10W	(230vac) 10W
	Duty Cycle	25%	75%	25%	75%
	Motor Starts, per hour, Max	1200	1200	1200	1200
	Motor Protection, Temp / Class	135°C / Class F	135°C / Class F	135°C / Class F	135°C / Class F
	Electrical Entry (2)	1/2" EMT or Nylon gland			
Operation	Position Indicator	Yes			
	Speed (90°) 60Hz/50Hz, seconds	9.2 / 11	9.2 / 11	9.2 / 11	9.2 / 11
	Manual Override	Hand Wheel			

General N1- Series Actuator Specifications		
Environment	Ambient Operating Range	-22°F to +158°F (-30°C to +70°C)
	Humidity	0 - 95% RH
	Altitude Limit	9850 ft / 3000 m
Housing	NEMA 4/4X/IP67 Enclosure	
Agency Listing	CSA Certified to CSA 22.3 No. 139-10 III 429 for Ordinary Location Applications	



# N2-Series (24V / 120V / 230V) Actuator

On/Off, Floating (3-Point), Modulating  
Non-Fail-Safe



## Actuator Specifications

Specifications		N2V24	N2V24M
Control	Control Type	On/Off	Proportional
	Auxiliary Switches (2) Two	10A 250vac	10A 250vac
Power	Supply	24VAC - 24VDC	24VAC - 24VDC
	Current Draw (Start / Run / LRA)	4.2A / 3.2A / 11A	
	Motor - 24vdc Perm Magnet Brush Type	25W	25W
	Duty Cycle	75%	75%
	Motor Starts, per hour, Max	1200	1200
	Motor Protection, Temp / Class	Class B	Class B
	Electrical Entry (2)	3/4" EMT or Nylon gland	
Operation	Position Indicator (Raised)	Yes	
	Speed (90°) DC, seconds	14	14
	Manual Override	Hand Wheel	



Specifications		N2V120	N2V120M	N2V230	N2V230M
Control	Control Type	On/Off	Proportional	On/Off	Proportional
	Auxiliary Switches (2) Two	10A 250vac	10A 250vac	10A 250vac	10A 250vac
Power	Supply	120V	120V	230V	230V
	Current Draw (Start / Run / LRA)	1.16A / .93A / 1.47A		.54A / .42A / .66A	
	Motor - ( ) Split -Phase Cap TENV	(120vac) 40W	(120vac) 40W	(230vac) 40W	(230vac) 40W
	Duty Cycle	25%	75%	25%	75%
	Motor Starts, per hour, Max	1200	1200	1200	1200
	Motor Protection, Temp / Class	135°C / Class F	135°C / Class F	135°C / Class F	135°C / Class F
	Electrical Entry (2)	3/4" EMT or Nylon gland			
Operation	Position Indicator (Raised)	Yes			
	Speed (90°) 60Hz/50Hz, seconds	16 / 19	16 / 19	16 / 19	16 / 19
	Manual Override	Hand Wheel			

General N2- Series Actuator Specifications		
Environment	Ambient Operating Range	-22°F to +158°F (-30°C to +70°C)
	Humidity	0 - 95% RH
	Altitude Limit	9850 ft / 3000 m
Housing	NEMA 4/4X/IP67 Enclosure	
Agency Listing	CSA Certified to CSA 22.3	
	No. 139-10, UL439 for Ordinary Location Applications	

# N3-Series (24V / 120V / 230V) Actuator

On/Off, Floating (3-Point), Modulating  
Non-Fail-Safe



## Actuator Specifications

Specifications		N3V24	N3V24M
Control	Control Type	On/Off	Proportional
	Auxiliary Switches (2) Two	10A 250vac	10A 250vac
Power	Supply	24VAC - 24VDC	24VAC - 24VDC
	Current Draw (Start/Run/LRA)	4.2A / 3.2A / 11A	
	Motor - 24vdc Perm Magnet Brush Type	25W	25W
	Duty Cycle	75%	75%
	Motor Starts, per hour, Max	1200	1200
	Motor Protection, Temp/Class	Class B	Class B
Electrical Entry (2)		3/4" EMT or Nylon gland	
Operation	Position Indicator (Raised)	Yes	
	Speed (90°) DC, seconds	28	28
	Manual Override	Hand Wheel	



Specifications		N3V120	N3V120M	N3V230	N3V230M
Control	Control Type	On/Off	Proportional	On/Off	Proportional
	Auxiliary Switches (2) Two	10A 250vac	10A 250vac	10A 250vac	10A 250vac
Power	Supply	120V	120V	230V	230V
	Current Draw (Start/Run/LRA)	1.16A / .93A / 1.47A		.54A / .42A / .66A	
	Motor - ( ) Split -Phase Cap TENV	(120vac) 40W	(120vac) 40W	(230vac) 40W	(230vac) 40W
	Duty Cycle	25%	75%	25%	75%
	Motor Starts, per hour, Max	1200	1200	1200	1200
	Motor Protection, Temp/Class	135°C / Class F	135°C / Class F	135°C / Class F	135°C / Class F
Electrical Entry (2)		3/4" EMT or Nylon gland			
Operation	Position Indicator (Raised)	Yes			
	Speed (90°) 60Hz/50Hz, seconds	33 / 39	33 / 39	33 / 39	33 / 39
	Manual Override	Hand Wheel			

General N3- Series Actuator Specifications		
Environment	Ambient Operating Range	-22°F to +158°F (-30°C to +70°C)
	Humidity	0 - 95% RH
	Altitude Limit	9850 ft / 3000 m
Housing	NEMA 4/4X/IP67 Enclosure	
Agency Listing	CSA Certified to CSA 22.3	
	No. 139-10, UL439 for Ordinary Location Applications	



# N4-Series (24V / 120V / 230V) Actuator

On/Off, Floating (3-Point), Modulating  
Non-Fail-Safe



Specifications		N4V24	N4V24M
Control	Control Type	On/Off	Proportional
	Auxiliary Switches (2) Two	10A 250vac	10A 250vac
Power	Supply	24VAC - 24VDC	24VAC - 24VDC
	Current Draw (Start / Run / LRA)	7.0A / 5.8A / 15A	
	Motor - 24vdc Perm Magnet Brush Type	40W	40W
	Duty Cycle	75%	75%
	Motor Starts, per hour, Max	1200	1200
	Motor Protection, Temp/Class	Class B	Class B
Electrical Entry (2)		3/4" EMT or Nylon gland	
Operation	Position Indicator (Raised)	Yes	
	Speed (90°) DC, seconds	21	21
	Manual Override	Hand Wheel	



Specifications		N4V120	N4V120M	N4V230	N4V230M
Control	Control Type	On/Off	Proportional	On/Off	Proportional
	Auxiliary Switches (2) Two	10A 250vac	10A 250vac	10A 250vac	10A 250vac
Power	Supply	120V	120V	230V	230V
	Current Draw (Start / Run / LRA)	2.95A / 1.8A / 3.5A		1.171A / .91A / 1.9A	
	Motor - ( ) Split -Phase Cap TENV	(120vac) 90W	(120vac) 90W	(230vac) 90W	(230vac) 90W
	Duty Cycle	25%	75%	25%	75%
	Motor Starts, per hour, Max	1200	1200	1200	1200
	Motor Protection, Temp/Class	135°C / Class F	135°C / Class F	135°C / Class F	135°C / Class F
Electrical Entry (2)		3/4" EMT or Nylon gland			
Operation	Position Indicator (Raised)	Yes			
	Speed (90°) 60Hz/50Hz, seconds	24 / 29	24 / 29	24 / 29	24 / 29
	Manual Override	Hand Wheel			

General N4- Series Actuator Specifications		
Environment	Ambient Operating Range	-22°F to +158°F (-30°C to +70°C)
	Humidity	0 - 95% RH
	Altitude Limit	9850 ft / 3000 m
Housing	NEMA 4/4X/IP67 Enclosure	
Agency Listing	CSA Certified to CSA 22.3	
	No. 139-10, UL439 for Ordinary Location Applications	

# N5-Series (24V / 120V / 230V) Actuator

On/Off, Floating (3-Point), Modulating  
Non-Fail-Safe



## Actuator Specifications



Specifications		N5V24	N5V24M
Control	Control Type	On/Off	Proportional
	Auxiliary Switches (2) Two	10A 250vac	10A 250vac
Power	Supply	24VAC - 24VDC	24VAC - 24VDC
	Current Draw (Start/Run/LRA)	7.0A / 5.8A / 15A	
	Motor - 24vdc Perm Magnet Brush Type	40W	40W
	Duty Cycle (on/off / mod)	75%	75%
	Motor Starts, per hour, Max	1200	1200
	Motor Protection, Temp/Class	Class B	Class B
	Electrical Entry (2)	3/4" EMT or Nylon gland	
Operation	Position Indicator (Raised)	Yes	
	Speed (90°) DC, seconds	28	28
	Manual Override	Hand Wheel	



Specifications		N5V120	N5V120M	N5V230	N5V230M
Control	Control Type	On/Off	Proportional	On/Off	Proportional
	Auxiliary Switches (2) Two	10A 250vac	10A 250vac	10A 250vac	10A 250vac
Power	Supply	120V	120V	230V	230V
	Current Draw (Start/Run/LRA)	2.95A / 1.8A / 3.5A		1.17A / .91A / 1.9A	
	Motor - ( ) Split -Phase Cap TENV	(120vac) 90W	(120vac) 90W	(230vac) 90W	(230vac) 90W
	Duty Cycle (on/off / mod)	25%	75%	25%	75%
	Motor Starts, per hour, Max	1200	1200	1200	1200
	Motor Protection, Temp/Class	135°C / Class F	135°C / Class F	135°C / Class F	135°C / Class F
	Electrical Entry (2)	3/4" EMT or Nylon gland			
Operation	Position Indicator (Raised)	Yes			
	Speed (90°) 60Hz/50Hz, seconds	33 / 39	33 / 39	33 / 39	33 / 39
	Manual Override	Hand Wheel			

General N5- Series Actuator Specifications		
Environment	Ambient Operating Range	-22°F to +158°F (-30°C to +70°C)
	Humidity	0 - 95% RH
	Altitude Limit	9850 ft / 3000 m
Housing	NEMA 4/4X/IP67 Enclosure	
Agency Listing	CSA Certified to CSA 22.3	
	No. 139-10, UL439 for Ordinary Location Applications	

# N-Series (24V / 120V / 230V) Actuator

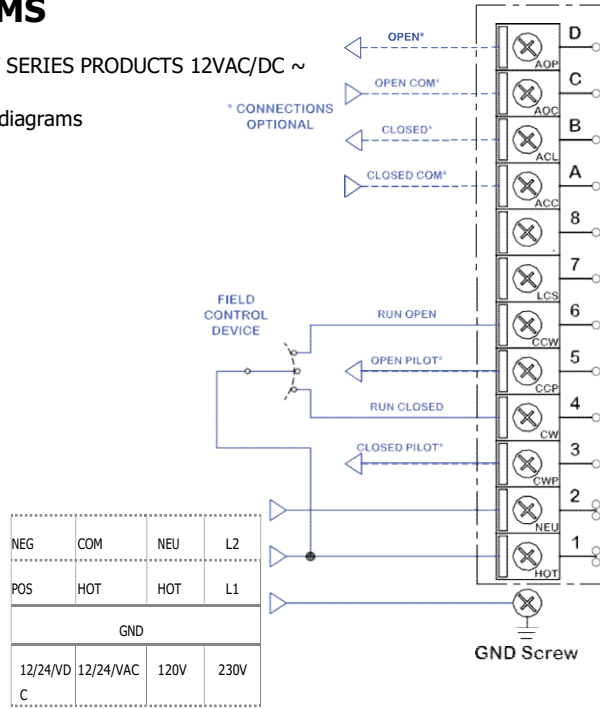
On/Off, Floating (3-Point), Modulating

Non-Fail-Safe

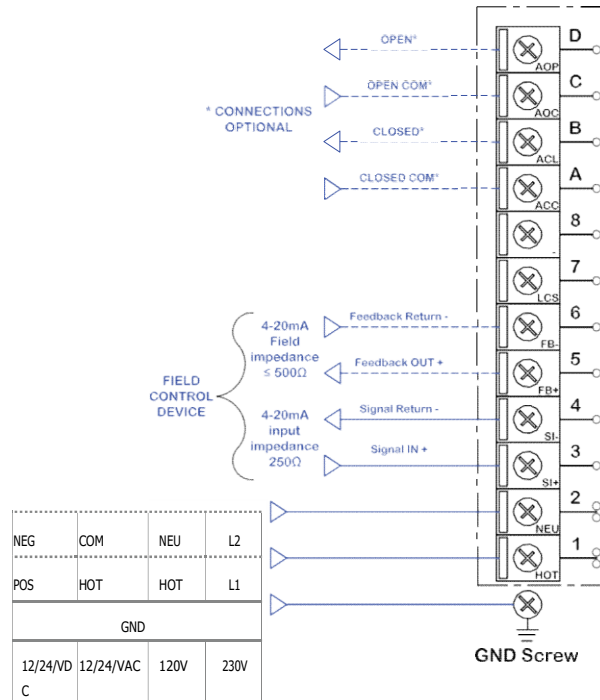


## WIRING DIAGRAMS

APPLIES TO ALL N1V THRU N5V SERIES PRODUCTS 12VAC/DC ~  
220/1 PHASE  
Contact Siral for 3 phase wiring diagrams



ON/OFF CONTROL



4-20mA CONTROL

# N-Series Actuator

## Overview



The new N Series is built based on global design standards, including ISO5211 mechanical transmission specifications. We offer operating voltage ranging from 12vac/vdc to 575v 3 phase, with options for on/off and modulating control as well as several industry bus communications capabilities.

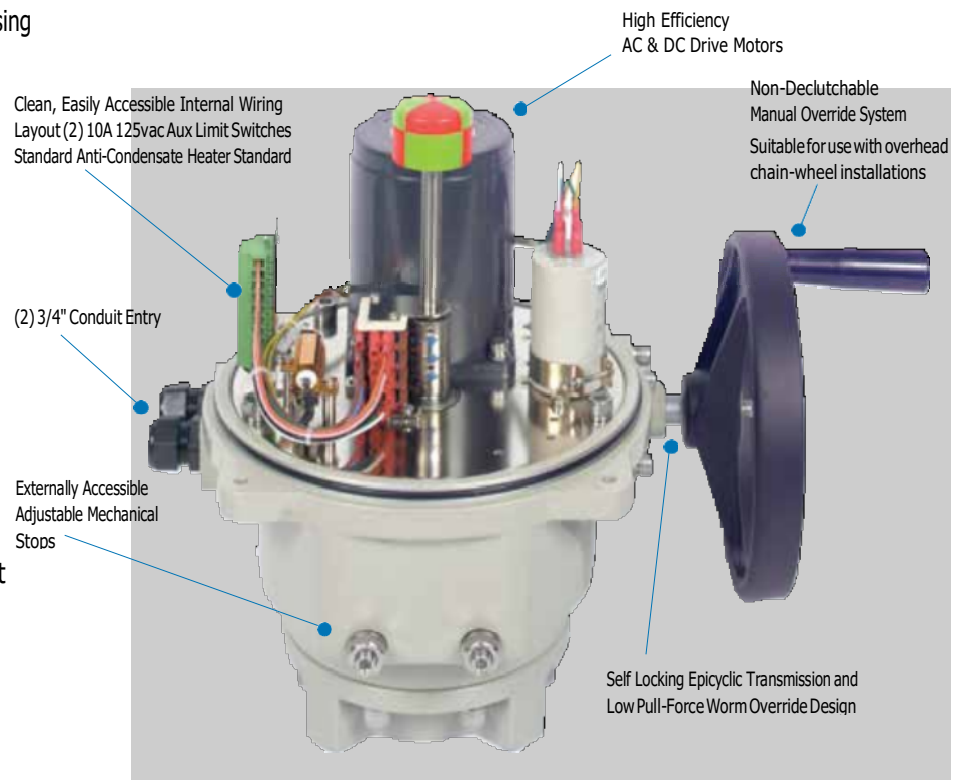
Based on industry proven epicyclic technologies, the N-Series provides smooth, efficient transmission of motor torque in a compact package. The epicyclic design negates the need for a brake, as the technology is self locking. N2 and larger units offer a standard clutchless manual override capability and are equipped with two auxiliary switches and an internal heater as standard.

### KEY FEATURES & BENEFITS

- Powder Coated Aluminum Alloy Housing
- NEMA 4/4X/IP67 Enclosure
- Raised Position Indicator
- ISO5211 Compliant Mounting
- Internal Low Power Heater
- Clutchless Manual Override
- Self-Locking Drive
- Permanently Lubricated
- Thermally Protected Motor
- 2 Auxiliary Switches
- Silicone Free

### OPTIONAL FEATURES

- Interchangeable ISO5211 Mount
- Interchangeable Drive Inserts
- Positioners
- Extended Duty Motors
- 3 Position Control
- Passive Analog Feedback
- Torque Switches
- Local Control Stations
- 3 phase Motor Control Center
- IP68 Submersible



\*Features typical of HRSN3 Series and larger.



# BFV Valve Series

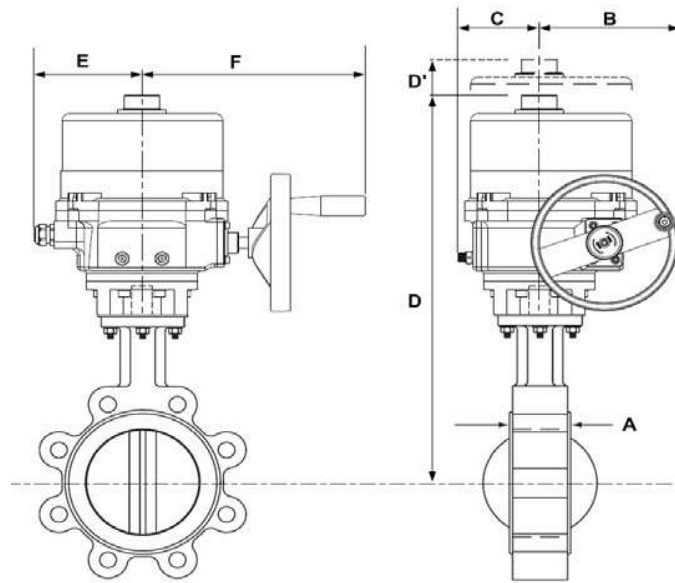
Butterfly Valve (Stainless-Steel Ball and Stem)

2-Way

Sizes: CL (2" to 12"), C (2" to 12")



Dimensions with N- Series Actuator



Dimensions N-Series + C2...L

Valve			Actuator	A		B		C		D		E		F	
mm	inch	Part #	Series	inch	mm	inch	mm	inch	mm	inch	mm	inch	mm	inch	mm
50	2"	C2050L	N1	1.69	(43)	2.2	(56)	2.99	(76)	14.2	(361)	3.6	(92)	4.25	(108)
65	2.5"	C2065L		1.81	(46)	2.2	(56)	2.99	(76)	14.7	(373)	3.6	(92)	4.25	(108)
80	3"	C2080L		1.81	(46)	2.2	(56)	2.99	(76)	14.9	(378)	3.6	(92)	4.25	(108)
100	4"	C2100L		2.05	(52)	2.2	(56)	2.99	(76)	15.7	(399)	3.6	(92)	4.25	(108)
125	5"	C2125L		2.2	(56)	2.2	(56)	2.99	(76)	16.2	(412)	3.6	(92)	4.25	(108)
150	6"	C2150L	N2	2.2	(56)	4.85	(123)	3.11	(79)	18.4	(467)	4.73	(120)	9.45	(240)
200	8"	C2200L		2.36	(60)	4.85	(123)	3.11	(79)	19.9	(505)	4.73	(120)	9.45	(240)
250	10"	C2250L	N3	2.68	(68)	4.85	(123)	3.11	(79)	21.2	(537)	4.73	(120)	9.45	(240)
300	12"	C2300L		3.07	(78)	4.85	(123)	3.11	(79)	23	(583)	4.73	(120)	9.45	(240)

Dimensions N-Series + C2...

Valve			Actuator	A		B		C		D		E		F	
mm	inch	Part #	Series	inch	mm	inch	mm	inch	mm	inch	mm	inch	mm	inch	mm
50	2"	C2050	N1	1.69	(43)	2.2	(56)	2.99	(76)	14.2	(361)	3.6	(92)	4.25	(108)
65	2.5"	C2065		1.81	(46)	2.2	(56)	2.99	(76)	14.7	(373)	3.6	(92)	4.25	(108)
80	3"	C2080		1.81	(46)	2.2	(56)	2.99	(76)	14.9	(378)	3.6	(92)	4.25	(108)
100	4"	C2100	N2	2.05	(52)	4.85	(123)	3.11	(79)	17.6	(446)	4.73	(120)	9.45	(240)
125	5"	C2125		2.2	(56)	4.85	(123)	3.11	(79)	18.1	(459)	4.73	(120)	9.45	(240)
150	6"	C2150	N3	2.2	(56)	4.85	(123)	3.11	(79)	18.4	(467)	4.73	(120)	9.45	(240)
200	8"	C2200		2.36	(60)	4.85	(123)	3.11	(79)	19.9	(505)	4.73	(120)	9.45	(240)
250	10"	C2250	N4	2.68	(68)	7.36	(187)	4.06	(103)	23.4	(593)	5.91	(150)	11.7	(297)
300	12"	C2300		3.07	(78)	7.36	(187)	4.06	(103)	25.2	(639)	5.91	(150)	11.7	(297)

# BFV Valve Series

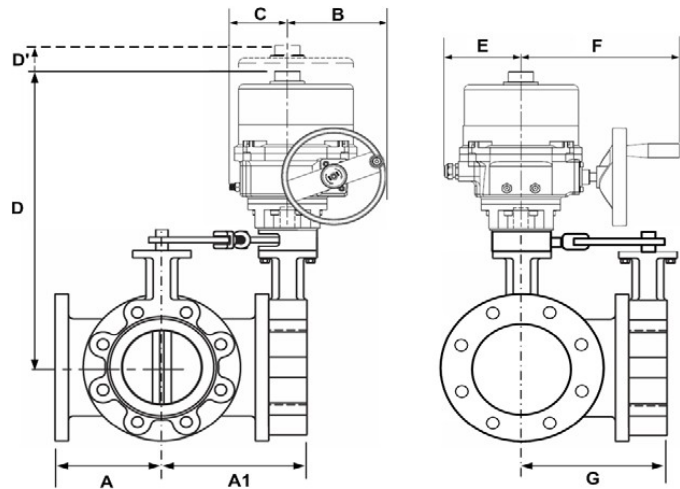
Butterfly Valve (Stainless-Steel Ball and Stem)

3-Way

Sizes: CL (2" to 12"), C (2" to 12")



Dimensions with N- Series Actuator



Dimensions N-Series + C3...L																	
Valve			Act.	A		B		C		D		E		F		G	
mm	inch	Part #	Series	inch	mm	inch	mm	inch	mm	inch	mm	inch	mm	inch	mm	inch	mm
50	2"	C3050L	N1	4.5	(114)	2.2	(56)	2.99	(76)	16.7	(425)	3.6	(92)	4.25	(108)	6.15	(156)
65	2.5"	C3065L		5	(127)	2.2	(56)	2.99	(76)	17.2	(436)	3.6	(92)	4.25	(108)	6.76	(172)
80	3"	C3080L		7.28	(140)	2.2	(56)	2.99	(76)	17.4	(442)	3.6	(92)	4.25	(108)	7.28	(185)
100	4"	C3100L	N2	6.5	(165)	4.85	(123)	3.11	(79)	20.1	(510)	4.73	(120)	9.45	(240)	8.55	(217)
125	5"	C3125L		7.5	(191)	4.85	(123)	3.11	(79)	20.6	(523)	4.73	(120)	9.45	(240)	9.64	(245)
150	6"	C3150L	N3	8	(203)	4.85	(123)	3.11	(79)	21.4	(543)	4.73	(120)	9.45	(240)	10.19	(259)
200	8"	C3200L		9	(229)	4.85	(123)	3.11	(79)	22.9	(581)	4.73	(120)	9.45	(240)	11.37	(289)
250	10"	C3250L	N4	11	(279)	7.36	(187)	4.06	(103)	26.4	(669)	5.91	(150)	11.7	(297)	13.58	(345)
300	12"	C3300L		12	(305)	7.36	(187)	4.06	(103)	28.2	(715)	5.91	(150)	11.7	(297)	15.01	(381)

Dimensions N-Series + C3...																	
Valve			Act.	A		B		C		D		E		F		G	
mm	inch	Part #	Series	inch	mm	inch	mm	inch	mm	inch	mm	inch	mm	inch	mm	inch	mm
50	2"	C3050	N1	4.5	(114)	2.2	(56)	2.99	(76)	16.7	(425)	3.6	(92)	4.25	(108)	6.15	(156)
65	2.5"	C3065	N2	5	(127)	4.85	(123)	3.11	(79)	19.1	(483)	4.73	(120)	9.45	(240)	6.76	(172)
80	3"	C3080		7.28	(140)	4.85	(123)	3.11	(79)	19.3	(489)	4.73	(120)	9.45	(240)	7.28	(185)
100	4"	C3100	N3	6.5	(165)	4.85	(123)	3.11	(79)	20.1	(510)	4.73	(120)	9.45	(240)	8.55	(217)
125	5"	C3125		7.5	(191)	4.85	(123)	3.11	(79)	20.6	(523)	4.73	(120)	9.45	(240)	9.64	(245)
150	6"	C3150	N4	8	(203)	4.85	(123)	3.11	(79)	21.5	(543)	4.73	(120)	9.45	(240)	10.19	(259)
200	8"	C3200		9	(229)	7.36	(187)	4.06	(103)	25.1	(637)	5.91	(150)	11.7	(297)	11.37	(289)
250	10"	C3250	N5	11	(279)	7.36	(187)	4.06	(103)	26.4	(669)	5.91	(150)	11.7	(297)	13.58	(345)
300	12"	C3300		12	(305)	7.36	(187)	4.06	(103)	28.2	(715)	5.91	(150)	11.7	(297)	15.01	(381)