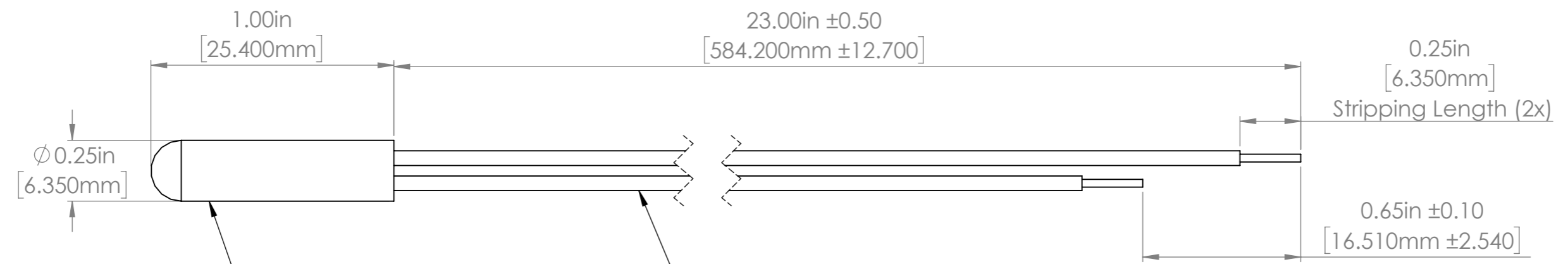


8 7 6 5 4 3 2 1

F
E
D
C
B
A



1" x ϕ 0.25" Bullet Probe

Wires - 22 AWG 7/30 Stranded Etched Teflon
Wires will be staggered due to the manufacturing process

| | | | | | | | | | | | |
|--|--------|-----------|-----------|---------|--|------------------------------------|--|-------------------------------|--|--------------|--|
| UNLESS OTHERWISE SPECIFIED: DIMENSIONS ARE IN MILLIMETERS | | | | FINISH: | | DEBURR AND BREAK SHARP EDGES | | DO NOT SCALE DRAWING | | REVISION 2 | |
| SURFACE FINISH: | | | | | | | | TITLE: Bullet Probe | | | |
| TOLERANCES: | | | | | | | | | | | |
| LINEAR: | | | | | | | | | | | |
| ANGULAR: | | | | | | | | | | | |
| | | | | | | | | | | | |
| | NAME | SIGNATURE | DATE | | | | | DWG NO. | | A3 | |
| DRAWN | Benton | | 7/17/2018 | | | | | M0000114 | | | |
| CHK'D | | | | | | | | | | | |
| APPV'D | | | | | | | | | | | |
| MFG | | | | | | | | | | | |
| Q.A | | | | | | MATERIAL: | | | | | |
| | | | | | | WEIGHT: | | SCALE:2:1 | | SHEET 1 OF 1 | |

8 7 6 5 4 3 2 1