

Static Pressure Pickup Accessories

Unobtrusive Housing for Pressure Sensing

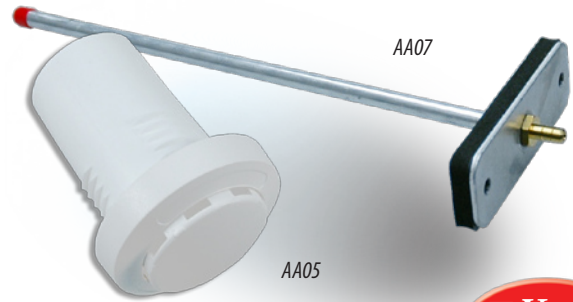
FEATURES

AA05 Room Static Pickup

- Compact, attractive appearance
- Barb brass fitting accommodates popular tubing
- Easy to install

AA07 8", AA06 4" Duct Static Pickup

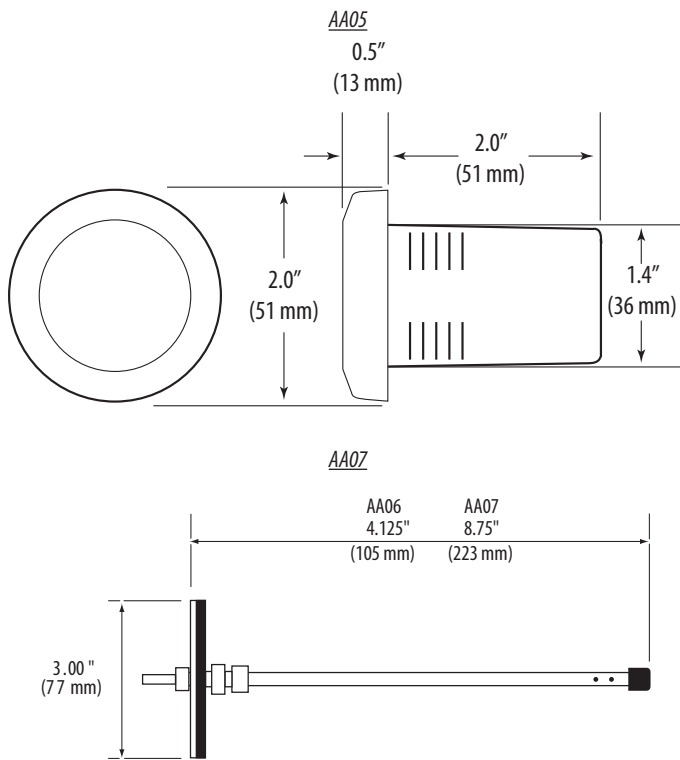
- Rugged, all-metal construction
- Gasket and hardware provided
- Easy to install



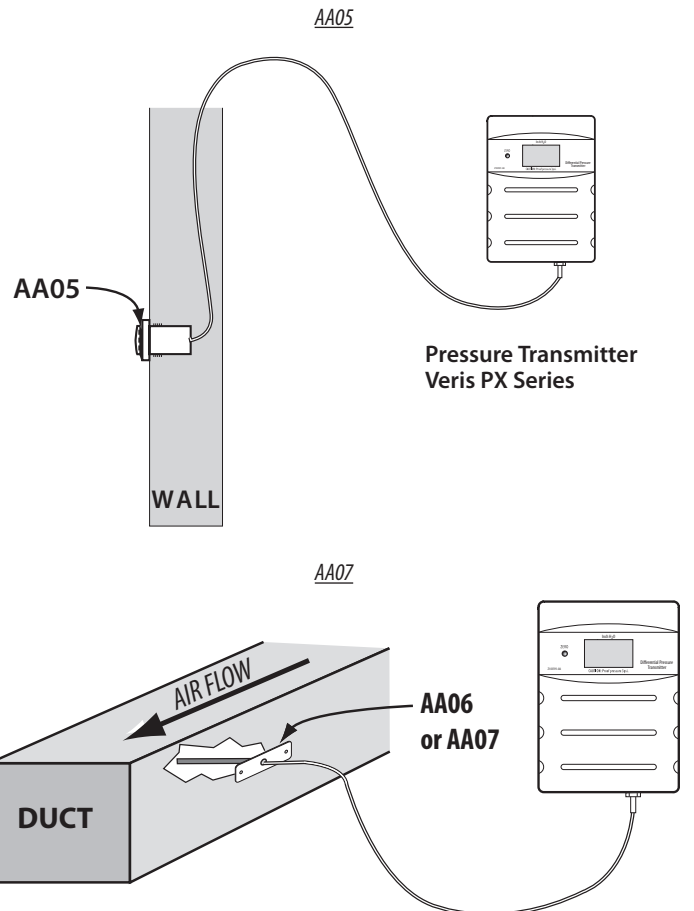
DESCRIPTION

The AA05 Room Static Pickup Device is a compact, easy-to-install, low-profile device used to minimize the aesthetic impact of pressure monitoring in spaces. Just drill a 1 3/8" (1" conduit electrical trade size) hole at a convenient place in a wall or ceiling of the space. Run tubing to connect between the sensor port and the hose barb on the back of the AA05 pickup, then just push the pickup into the surface to finish the installation.

DIMENSIONAL DRAWINGS



APPLICATION DIAGRAMS



ORDERING INFORMATION

MODEL	DESCRIPTION
AA05	Room Static Pressure Pickup
AA06	Duct Static Pressure Pickup Tube, 4"
AA07	Duct Static Pressure Pickup Tube, 8"