



Patent Pending

Features & Options

- Single Pressure Range and Single Output Range
- Optional Attached Static Pressure Probe So the Unit Doesn't Require Two Trades to Install
- Simple Auto-Zero Process
- Reverse Wiring Protection



- Free NIST Certificate Included with Each Unit at No Extra Charge
- Rugged IP66, NEMA 4 Enclosure with Hinged Cover
- Visible 5-Color LED to Indicate Current Pressure Status Without Having to Access the BAS



Fixed Range Pressure

5
YEAR
WARRANTY

Specifications

Power:

18 to 28 VAC, 0.4 VA max
9 to 32 VDC with 0 to 5V output, 10 mA max
13 to 32 VDC with a 0 to 10V out, 10mA max

Accuracy at 72°F

±1.0% FS of input range for units ≥ 0.25" WC (62.5 Pa)
±0.5% FS of input range for units < 0.25" WC (62.5 Pa)

Environmental Operation Range:

14 to 140°F (-10 to 60°C)

Storage Temperature:

-40 to 203°F (-40 to 95°C)

Stability:

0.15% FS per year

Overpressure

Proof: 27.68" WC (1 PSI)
Burst: 41.52" WC (1.5 PSI)

Wiring*:

3-wires, AC or DC powered, Voltage out

Humidity:

0 to 95% RH, non-condensing

*BAPI recommends that you do not run wiring for the pressure transmitter in the same conduit as line voltage wiring or with wiring used to supply highly inductive loads such as motors, generators, and coils.

Port Connection:

1/4" tubing (1/8 to 3/16" I.D.)

Enclosure Material:

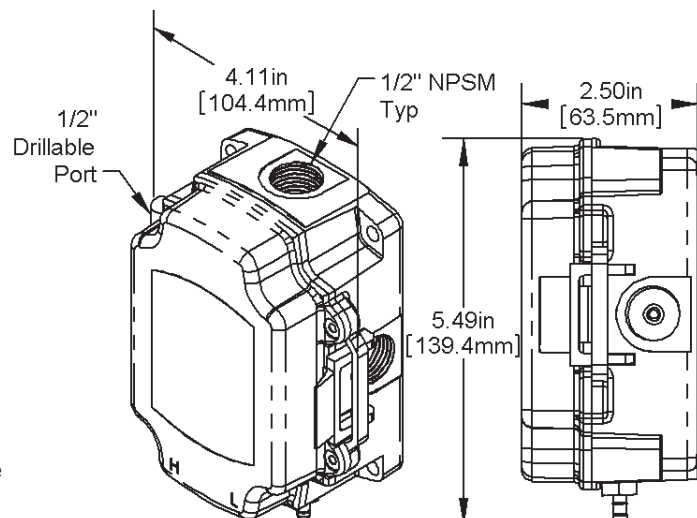
UV-resistant Polycarbonate, UL94 V-0

Enclosure Rating:

IP66, NEMA 4

Mounting:

4 external tabs with holes for #10 screws





Fixed Range Pressure Option Selection Guide

ZPS - (#1) - (#2) - (#3)

#1: Pressure Output (required)

- 05..... 0 to 5 V
- 10..... 0 to 10 V
- 12..... 2 to 10 V
- 15..... 1 to 5 V

#2: Pressure Range (required)

UNIDIRECTIONAL RANGES

<u>WC Ranges</u>	<u>Pascal Ranges</u>
FR51.. 0 to 0.10	FR61.....0 to 30
FR52.. 0 to 0.25	FR62.....0 to 50
FR53.. 0 to 0.50	FR63.....0 to 100
FR55.. 0 to 1.00	FR65.....0 to 250
FR91.. 0 to 1.25	FR82.....0 to 300
FR73.. 0 to 2.50	FR83.....0 to 500
FR74.. 0 to 3.00	FR84.....0 to 1,000
FR75.. 0 to 5.00	FR85.....0 to 1,250

#2: Pressure Ranges continued...

BIDIRECTIONAL RANGES

<u>WC Ranges</u>	<u>Pascal Ranges</u>
FR56.. -0.10 to 0.10	FR66..... -30 to 30
FR57.. -0.25 to 0.25	FR67..... -50 to 50
FR58.. -0.50 to 0.50	FR68..... -100 to 100
FR60.. -1.00 to 1.00	FR70..... -250 to 250
FR96.. -1.25 to 1.25	FR87..... -300 to 3000
FR78.. -2.50 to 2.50	FR88..... -500 to 500
FR79.. -3.00 to 3.00	FR89.. -1,000 to 1,000
FR80.. -5.00 to 5.00	FR90.. -1,250 to 1,250

#3: Static Pressure Tube (required)

- BB-NT.. No Tube included
- BB-ST.. Static Pressure Tube included
- BB-AT .. Attached Static Pressure Probe

Factory set Custom Ranges are available for these units. Contact your BAPI representative for ordering.

Example Number: ZPS - (05) - (FR73) - (BB-ST)

Actual Number (with parenthesis removed): ZPS-05-FR72-BB-ST

Description: 0 to 5 V Output, 0 to 2.50" WC Pressure Range, FRP Unit with Static Tube.

Your Number: ZPS-

