



Features & Options

- 10 Pressure Ranges & Three Outputs – All Field Selectable
- Standard Range and Low Range Models (-5 to +5 WC or -1,250 to +1,250 Pascals) (-1.0 to +1.0 WC or -250 to +250 Pascals)
- About 1/3rd the Size of Field Mount Pressure Sensors to Save Panel Space



- Free NIST Certificate Included with Each Unit at No Extra Charge
- Mounts in DIN Rail, Snaptrack or Directly to the Panel Backplane
- Display That Aids in Troubleshooting by Showing Pressure Over Entire Operational Range



EZ Pressure Sensor



Specifications

Power:

7 to 40 VDC (4 to 20 mA Output)
 7 to 40 VDC or 18 to 28 VAC (0 to 5 VDC Output)
 13 to 40 VDC or 18 to 28 VAC (0 to 10 VDC Output)

Power Consumption:

20 mA max, DC only at 4 to 20 mA Output
 4.9 mA max DC at 0 to 5 or 0 to 10 VDC Output
 0.12 VA max AC at 0 to 5 or 0 to 10 VDC Output

Load Resistance:

4 to 20 mA Output 850 Ω Maximum @ 24 VDC
 0 to 5 VDC or 0 to 10 VDC output 1KΩ minimum

Accuracy for Standard Pressure Ranges at 72°F:

±0.25% of range

Accuracy for Low Pressure Ranges at 72°F:

±0.5% of range for the three lowest unidirectional and bidirectional ranges

±0.25% of range all other ranges

Stability: ±0.25% F.S. per year

Environmental Operation Range:

14°F to 140°F (-10°C to 60°C)

Storage Temperature: -40 to 203°F (-40 to 95°C)

Overpressure: Proof: 27.68" W.C. (1 PSI),
 Burst: 41.52" W.C. (1.5 PSI)

Wiring: Removable terminal block (14 to 24 AWG)*

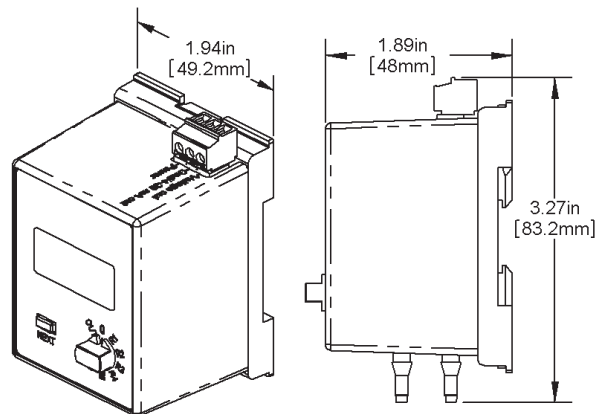
2 wires (4 to 20mA Current loop)*
 3 wires (AC or DC powered, Voltage out)*

Humidity: 0 to 95% RH, non-condensing

Port Connection: 1/4" tubing (1/8" to 3/16" I.D.)

Enclosure Material: ABS Plastic, UL94 V-0

Mounting: DIN Rail, Snaptrack or Surface



*BAPI recommends that you do not run wiring for the pressure transmitter in the same conduit as line voltage wiring or with wiring used to supply highly inductive loads such as motors, generators and coils.





Ordering Information (for units without a factory specified range or output)

<u>PART NUMBER</u>	<u>DESCRIPTION</u>
ZPS-SR-EZ-NT-INStandard Range Unit, Inches WC, Display, No Tube or Probe included
ZPS-SR-EZ-NT-PAStandard Range Unit, Pascals, Display, No Tube or Probe included
ZPS-SR-EZ-ST-INStandard Range Unit, Inches WC, Display with Static Pressure Probe
ZPS-SR-EZ-ST-PAStandard Range Unit Pascals, Display with Static Pressure Probe
ZPS-LR-EZ-NT-INLow Range Unit, Inches WC, Display, No Tube or Probe included
ZPS-LR-EZ-NT-PALow Range Unit, Pascals, Display, No Tube or Probe included
ZPS-LR-EZ-ST-INLow Range Unit, Inches WC, Display with Static Pressure Probe
ZPS-LR-EZ-ST-PALow Range Unit Pascals, Display with Static Pressure Probe

Note: Pressure Range and Output Range for these units will be selected in the field.

For units with a factory specified range or output, use Selection Guide below

Standard and Low Range EZ Pressure Option Selection Guide

ZPS - (#1) - (#2) - (#3) - (#4)

#1: Pressure Output (required)

- 20..... 4 to 20 mA
- 05..... 0 to 5 V
- 10..... 0 to 10 V

#2: Pressure Range (required)

LOW RANGES

<u>WC Ranges</u>	<u>Pascal Ranges</u>
LR51.. 0 to 0.10	LR61 0 to 30
LR52.. 0 to 0.25	LR62 0 to 50
LR53.. 0 to 0.50	LR63 0 to 100
LR54.. 0 to 0.75	LR64 0 to 175
LR55.. 0 to 1.00	LR65 0 to 250
LR56.. -0.10 to 0.10	LR66 -30 to 30
LR57.. -0.25 to 0.25	LR67 -50 to 50
LR58.. -0.50 to 0.50	LR68 -100 to 100
LR59.. -0.75 to 0.75	LR69 -175 to 175
LR60.. -1.00 to 1.00	LR70 -250 to 250

Custom Ranges are available for these units. Contact your BAPI representative for ordering. Submittal sheets without List Prices can be downloaded from our website at www.bapihvac.com

#2: Pressure Range continued...

STANDARD RANGES

<u>WC Ranges</u>	<u>Pascal Ranges</u>
SR71.. 0 to 1.00	SR81 0 to 250
SR72.. 0 to 2.00	SR82 0 to 300
SR73.. 0 to 2.50	SR83 0 to 500
SR74.. 0 to 3.00	SR84 0 to 1,000
SR75.. 0 to 5.00	SR85 0 to 1,250
SR76.. -1.00 to 1.00	SR86 -250 to 250
SR77.. -2.00 to 2.00	SR87 -300 to 300
SR78.. -2.50 to 2.50	SR88 -500 to 500
SR79.. -3.00 to 3.00	SR89 .. -1,000 to 1,000
SR80.. -5.00 to 5.00	SR90.. -1,250 to 1,250

#3: Static Pressure Tube (required)

- EZ-NT .. No Tube included
- EZ-ST .. Static Pressure Tube included

#4: Display (optional)

- D LCD (See Note below)

Note: The display is always present. If you do not select the display option, the display will show the word "On" rather than the current pressure.

Example Number: ZPS - (05) - (SR72) - (EZ-ST) - (D)

Actual Number (with parenthesis removed): ZPS-05-SR72-EZ-ST-D

Description: 0 to 5 V Output, 0 to 2" WC Pressure Range, EZ Unit with Static Tube and Display.

Your Number: ZPS-

