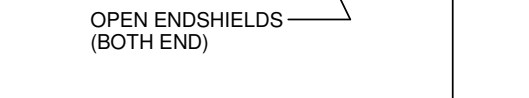
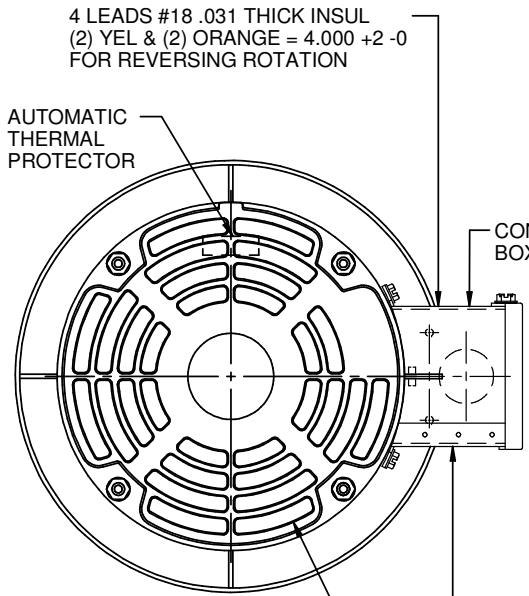
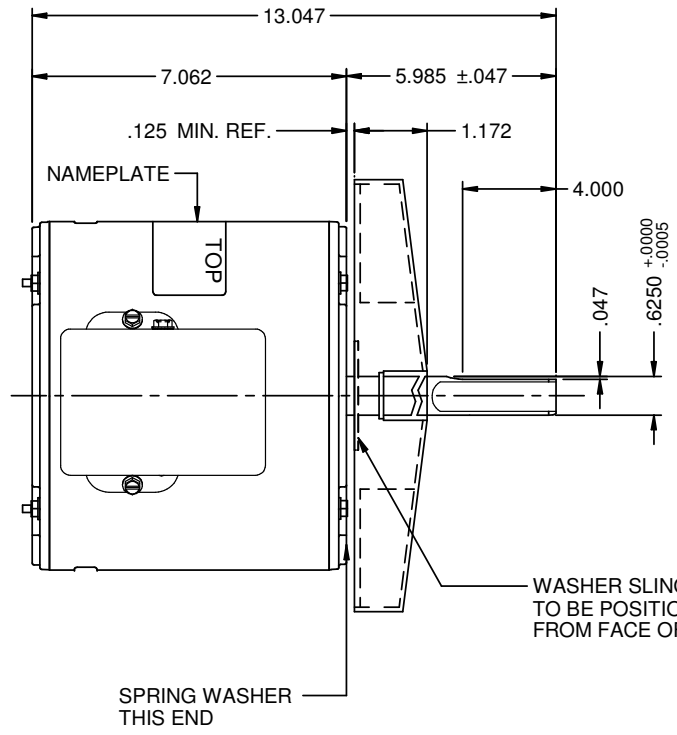


MODEL	REF	CUSTOMER	HP	VOLTS	AMPS	HZ	RPM	ROTATION	CUSTOMER PT. NO.	DESCRIPTION / REMARKS
K55HXDSY-1213	C33923	WHOLESALE-HAC	1.0	575	2.2	60	1075	CCW LEAD END-REV	CAT 1173	K55 STRAP MTD. BALL BRG OPEN



4 LEADS, #18, .031 THICK INSUL.
TO EXTEND BEYOND MOTOR
WHITE = 12.000 +2 -0, 1/4 FLAG,
BLK = 12.000 +2 -0, 1/2 SKINNED
(1) BROWN = 6.000 +2 -0 1/4 FLAG
(1) BROWN W/WHITE STRIPE= 6.000
+2 -0 1/4 FLAG

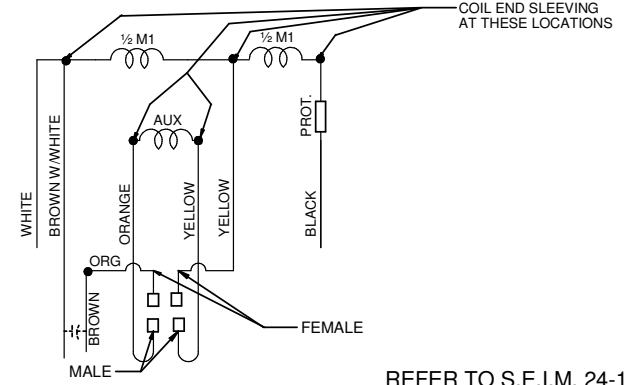
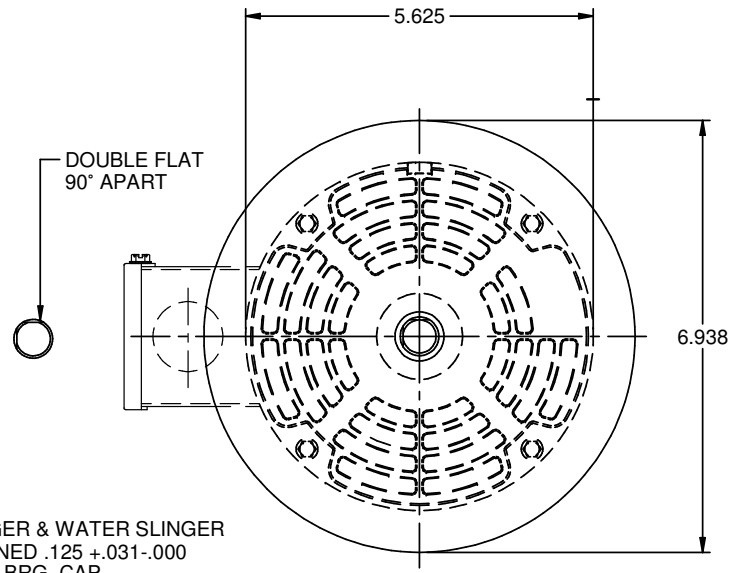
NOTE:
MAIN COILS IMMEDIATELY ADJACENT
TO EITHER SIDE OF DOTTED AREA
ARE TO BE SEPARATED BY A MINIMUM
OF .094 ON BOTH ENDS OF STATOR.



CONNECTIONS
WHITE - COM
BLACK - HI
BROWN - CAP
BROWN W/WHITE - CAP

SHIPPED DETACHED
1.- CAPACITOR

CONNECTION SHOWN IS FOR
CCW LE ROTATION. TO REVERSE
ROTATION INTERCHANGE ORANGE
AND YELLOW LEADS.



REFER TO S.E.I.M. 24-1

NIDEC MOTOR CORPORATION 24-Jul-19

CREATED DRAWING	REVISION RECORD FOR: E34932
ISSUED BY: R. PEREZ	ENGINEER APPROVED: J. RICE

DIMENSIONS ARE FOR
REFERENCE ONLY

UNLESS TOLERANCE
IS SPECIFIED

NIDEC MOTOR CORPORATION			
INFORMATION DISCLOSED ON THIS DOCUMENT IS CONSIDERED PROPRIETARY AND SHALL NOT BE REPRODUCED OR DISCLOSED WITHOUT WRITTEN CONSENT OF NIDEC MOTOR CORPORATION			REVISION DATE: 24-JUL-19
TITLE CUSTOMER DETAIL DRAWING	CODE V02	ITEM NO. 828211	REV --
		SHEET NUMBER 1 OF 3	DWG SIZE B