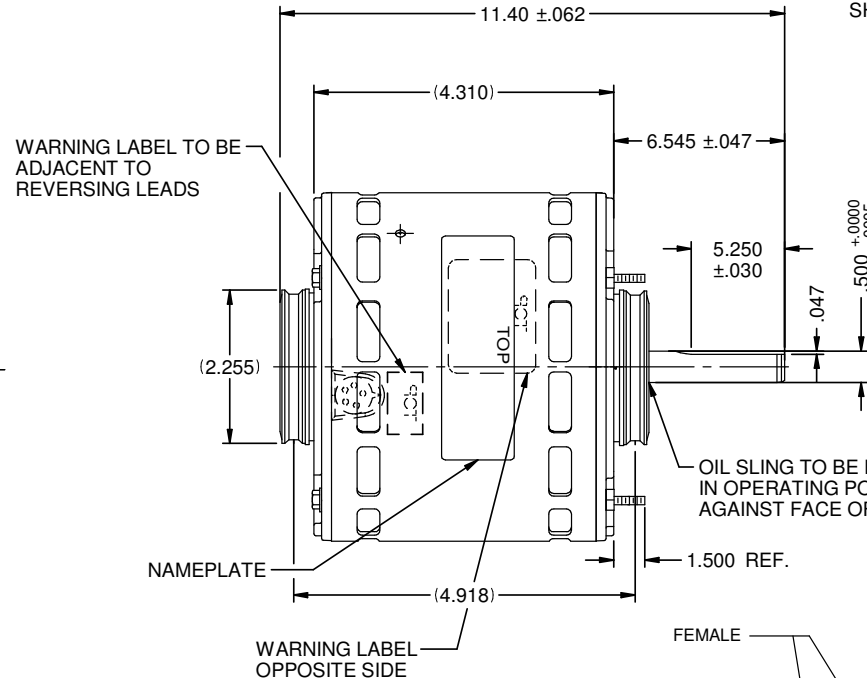
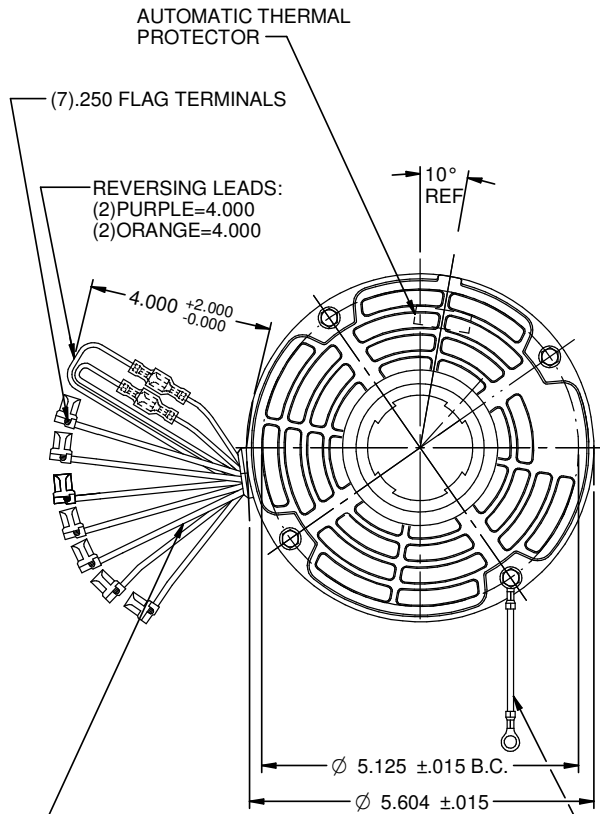
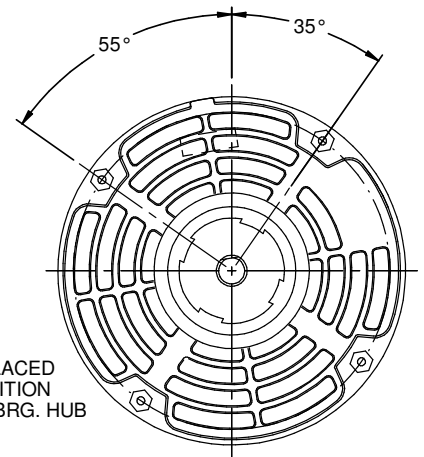


MODEL	REF	CUSTOMER	CAT. NO.	HP	VOLTS	AMPS	HZ	RPM	ROTATION	DESCRIPTION / REMARKS
K55HXKCW-9441		STANDARD	5831	1/4	208-230	1.8-1.7	60	1075/4 SPD	CCW LE REV.	K55 HUB, SLV BRG. OPEN



NOTE:
-KIT - 2 1/2" RING CONVERSION
SHIPPED IN CARTON.

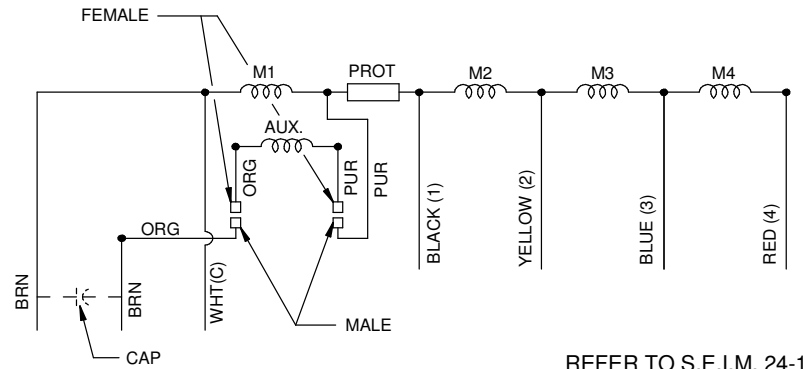


OIL SLING TO BE PLACED
IN OPERATING POSITION
AGAINST FACE OF BRG. HUB

7 LEADS, #18, .031 THICK INSUL.
TO EXTEND BEYOND MOTOR:
YEL=36.000±1.500, BLK=36.000±1.500,
BLU=36.000±1.500, WHT=36.000±1.500,
RED=36.000±1.500 (2)BROWN=36.000±1.500

#16 GRN/YEL GROUND LEAD TO BE
12.000±.250 BETWEEN CENTERS
OF TERMS. TERM. TO FIT #10 SCREW

CONNECTION SHOWN IS
FOR C.C.W. LE. ROTATION
TO REVERSE ROTATION,
INTERCHANGE ORANGE
AND PURPLE LEADS.



NIDEC MOTOR CORPORATION 20-Feb-19

REFER TO S.E.I.M. 24-1

REVISION RECORD FOR:	ECO E32251
NEW DRAWING CREATED.	
ISSUED BY:	I. GUTIERREZ
ENGINEER APPROVED:	D. TEJEDA

DIMENSIONS ARE FOR
REFERENCE ONLY

UNLESS TOLERANCE
IS SPECIFIED

NIDEC MOTOR CORPORATION			
INFORMATION DISCLOSED ON THIS DOCUMENT IS CONSIDERED PROPRIETARY AND SHALL NOT BE REPRODUCED OR DISCLOSED WITHOUT WRITTEN CONSENT OF NIDEC MOTOR CORPORATION			
TITLE		CODE	ITEM NO.
CUSTOMER DETAIL DRAWING		V02	824975
		REV	SHEET NUMBER
		--	1 OF 3
			DWG SIZE
			B