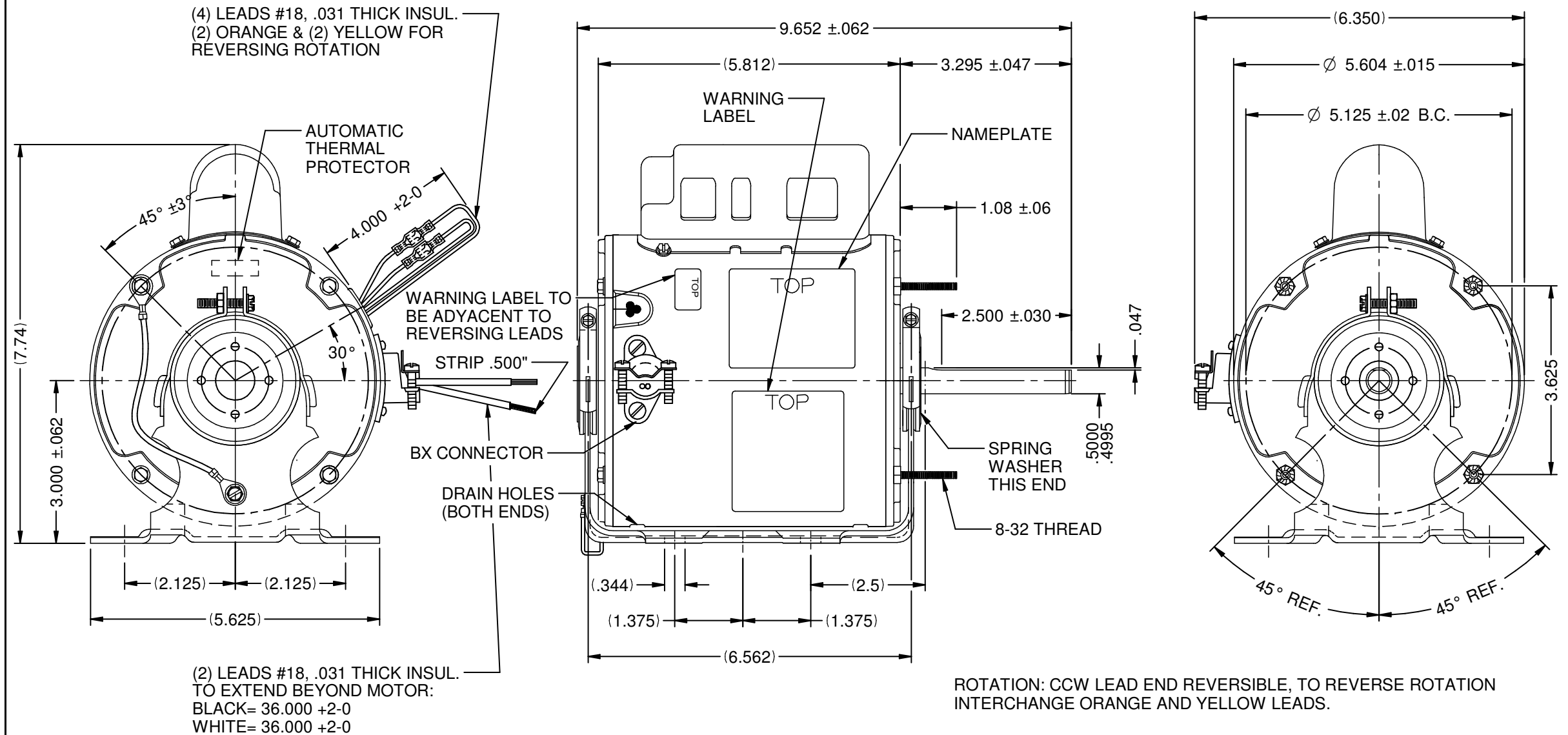


MODEL	REF	CUSTOMER	HP	VOLTS	AMPS	HZ	RPM	ROTATION	CAT. #	DESCRIPTION / REMARKS
K55HRGE-1941		WHOLESALE - HAC	1/6	115	2.5	60	1625	CCW LEAD END REV	1385	K55, RESILENT BASE, BALL BEARING, ENCLOSED



NIDEC MOTOR CORPORATION 21-Dec-18

REFER TO S.E.I.M. 24-1

REVISION RECORD FOR: ECO E32354	
DRAWING WAS CREATED	
ISSUED BY: G. TREVIÑO	ENGINEER APPROVED: D. TEJEDA

DIMENSIONS ARE FOR REFERENCE ONLY

UNLESS TOLERANCE IS SPECIFIED

NIDEC MOTOR CORPORATION			
INFORMATION DISCLOSED ON THIS DOCUMENT IS CONSIDERED PROPRIETARY AND SHALL NOT BE REPRODUCED OR DISCLOSED WITHOUT WRITTEN CONSENT OF NIDEC MOTOR CORPORATION			
TITLE		CODE	REVISION DATE:
CUSTOMER DETAIL DRAWING		V02	02-JAN-19
ITEM NO.	REV	SHEET NUMBER	DWG SIZE
824312	--	1 OF 3	B