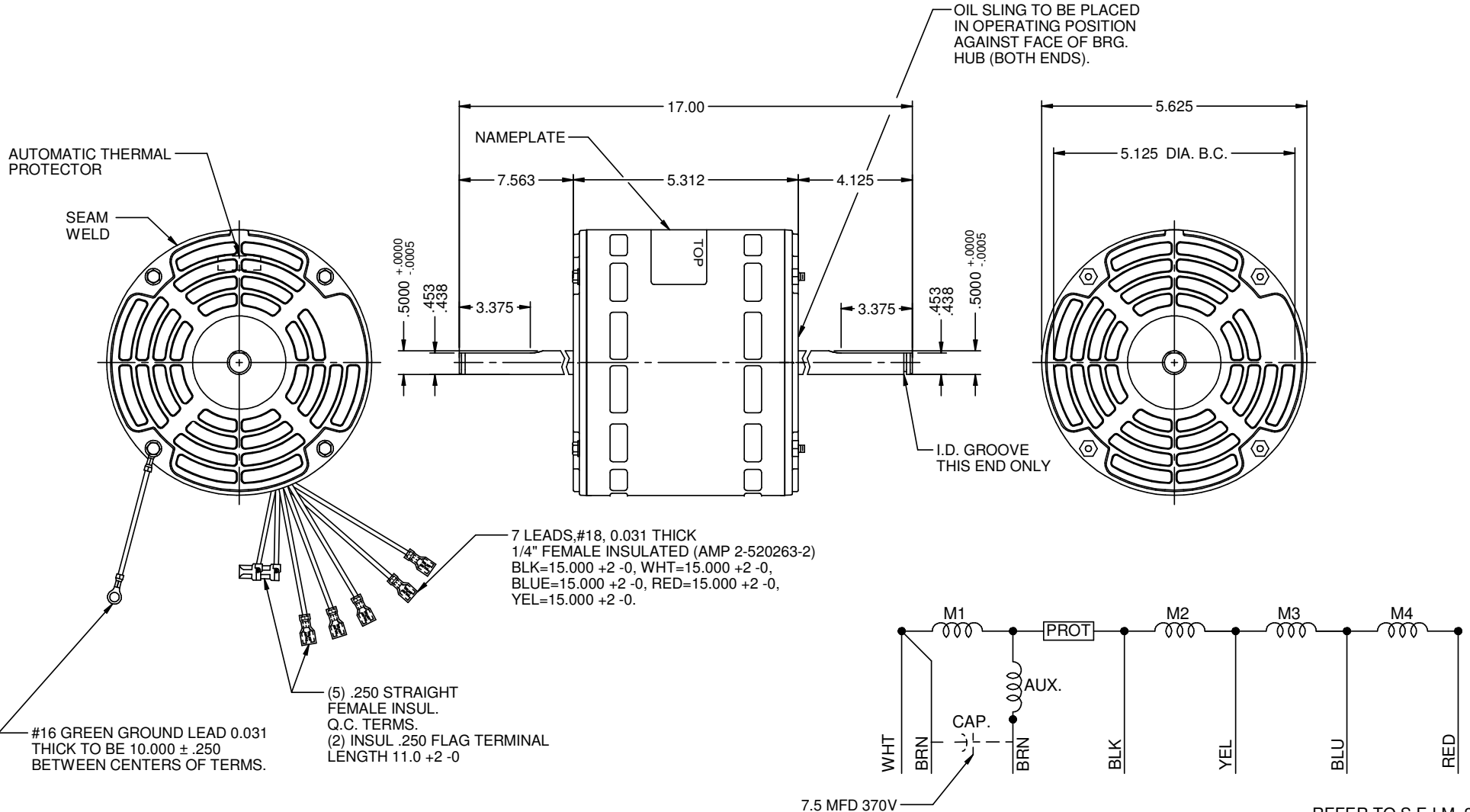


MODEL	REF	CUSTOMER	CUSTOMER PN	HP	VOLTS	AMPS	HZ	RPM	ROTATION	DESCRIPTION / REMARKS
K55HXKNH-0226	A31749-X2	WHOLESALE	CA3414	1/2	115	7.9	60	1075/4SPD	CCW LEAD END	



NIDEC MOTOR CORPORATION 21-Nov-18

REFER TO S.E.I.M. 24-1

NEW DRAWING CREATED.	REVISION RECORD FOR: ECO E32160
ISSUED BY: I. GUTIERREZ	ENGINEER APPROVED: P. RODRIGUEZ

DIMENSIONS ARE FOR REFERENCE ONLY

UNLESS TOLERANCE IS SPECIFIED

NIDEC MOTOR CORPORATION			
INFORMATION DISCLOSED ON THIS DOCUMENT IS CONSIDERED PROPRIETARY AND SHALL NOT BE REPRODUCED OR DISCLOSED WITHOUT WRITTEN CONSENT OF NIDEC MOTOR CORPORATION			
TITLE		CODE	ITEM NO.
CUSTOMER DETAIL DRAWING		V02	823728
		REV	SHEET NUMBER
		--	1 OF 3
		REVISION DATE:	DWG SIZE
		12-NOV-18	B