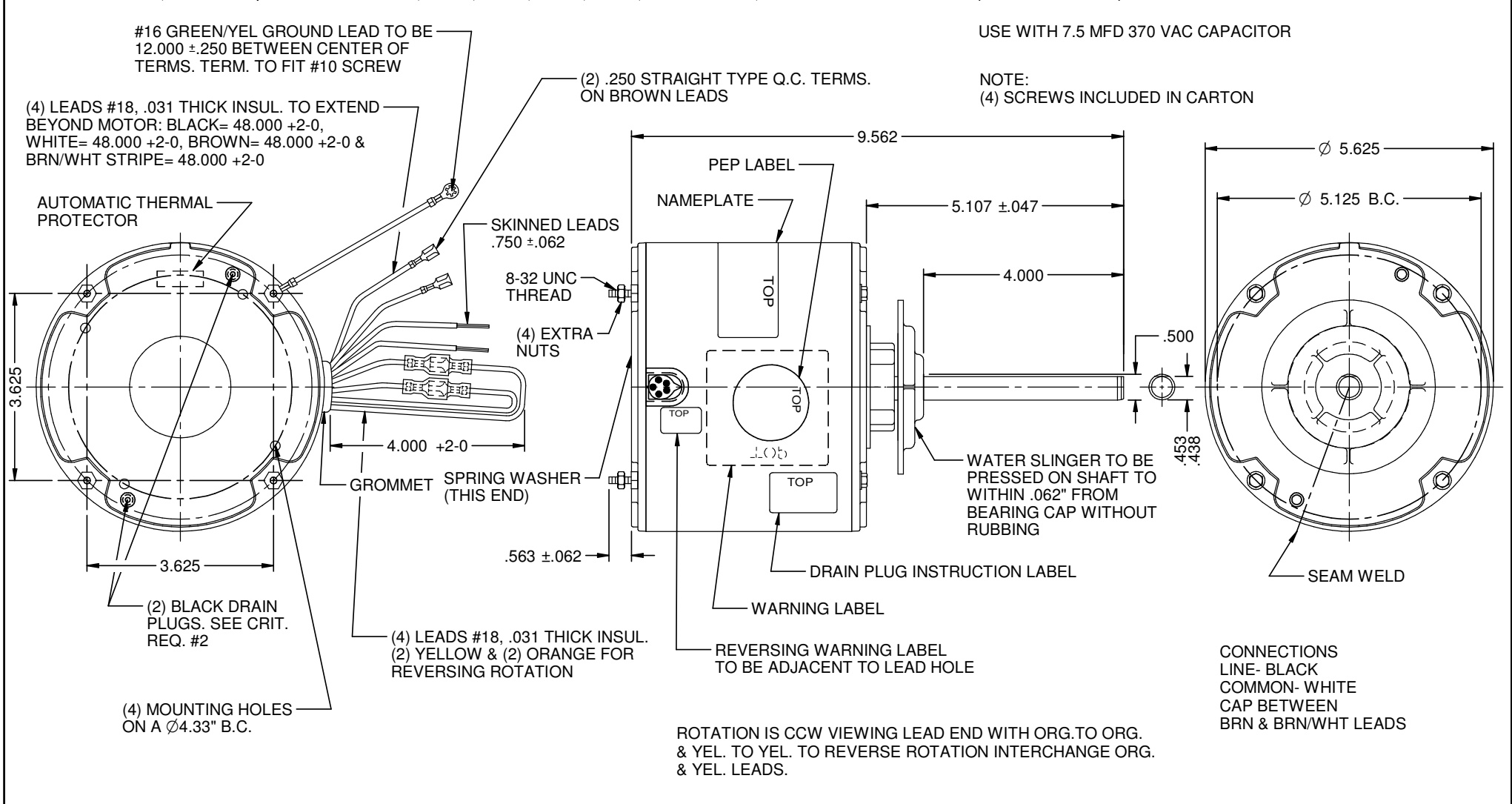


MODEL	REF	CUSTOMER	HP	VOLTS	AMPS	HZ	RPM	ROTATION	CAT. #	DESCRIPTION / REMARKS
K55HXWRK-0124	A30885	WHOLESALE - HAC	1/4	460	0.7	60/50	1115	CCW LEAD END REV.	3736PEP	K55, TOTALLY ENCLOSED, STUD MOUNTING, BALL BEARING



NIDEC MOTOR CORPORATION 29-Nov-18 REFER TO S.E.I.M. 24-1

DRAWING WAS CREATED		REVISION RECORD FOR: ECO E32044	DIMENSIONS ARE FOR REFERENCE ONLY		<b>NIDEC MOTOR CORPORATION</b>			
ISSUED BY: G. TREVIÑO		ENGINEER APPROVED: J. RICE	UNLESS TOLERANCE IS SPECIFIED		INFORMATION DISCLOSED ON THIS DOCUMENT IS CONSIDERED PROPRIETARY AND SHALL NOT BE REPRODUCED OR DISCLOSED WITHOUT WRITTEN CONSENT OF NIDEC MOTOR CORPORATION			
					TITLE		REVISION DATE: 04-DEC-18	
					CUSTOMER DETAIL DRAWING		REV: --	
					CODE: V02	ITEM NO.: 823566	SHEET NUMBER: 1 OF 3	
							DWG SIZE: B	