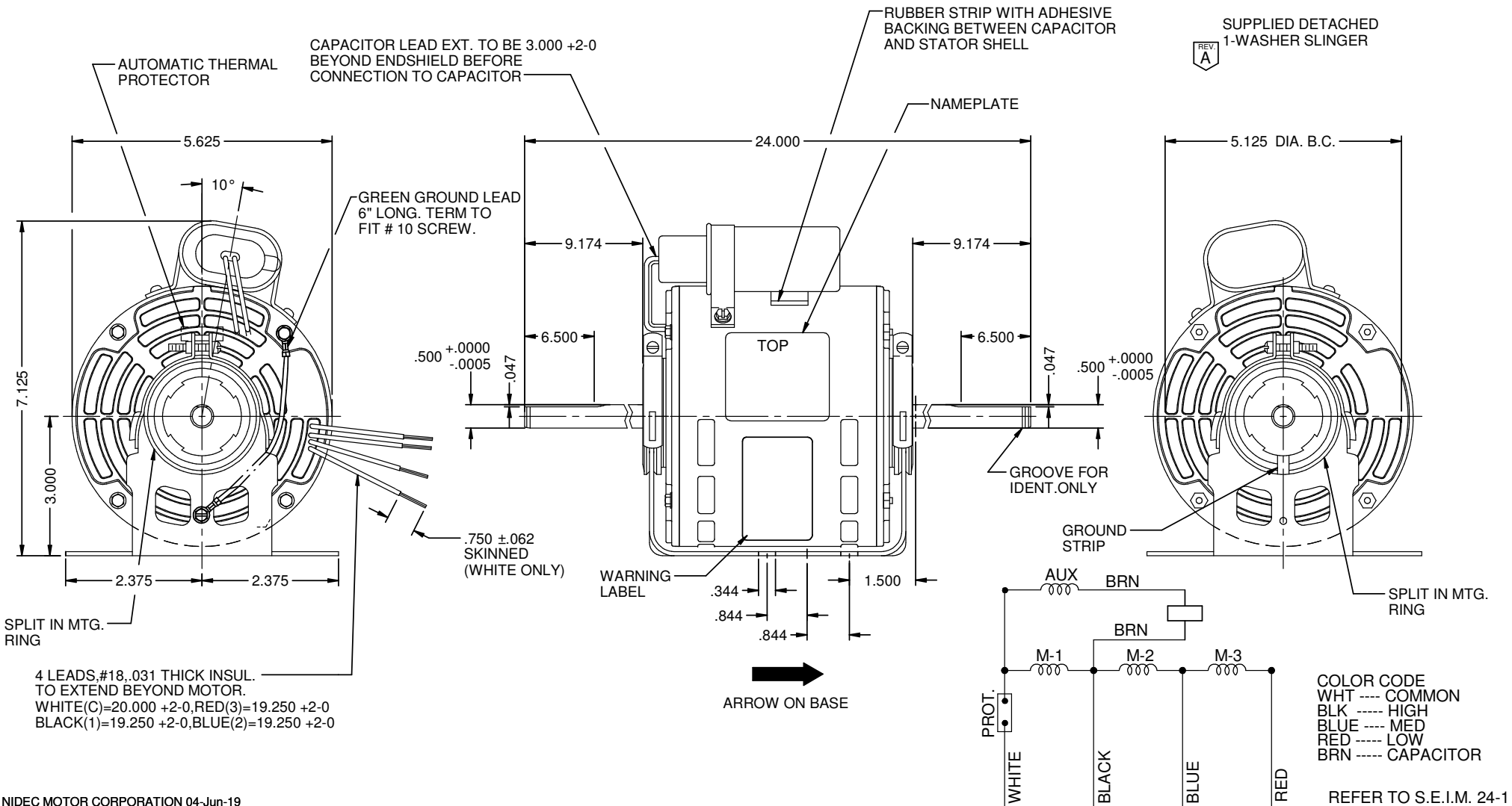


MODEL	REF	CUSTOMER	CUSTOMER PN	HP	VOLTS	AMPS	HZ	RPM	ROTATION	DESCRIPTION / REMARKS
K55HXHSR-5249		WHOLESALE-HAC	1247	1/3	230	2.5	60	1075/3SPD	CCW LE REV.	



NIDEC MOTOR CORPORATION 04-Jun-19

REVISION RECORD FOR:	ECO E34367
DELETED NOTE INFORMATION	
ISSUED BY:	E. GONZALEZ
ENGINEER APPROVED:	K. MORT

DIMENSIONS ARE FOR REFERENCE ONLY  
UNLESS TOLERANCE IS SPECIFIED

<b>NIDEC MOTOR CORPORATION</b>			
INFORMATION DISCLOSED ON THIS DOCUMENT IS CONSIDERED PROPRIETARY AND SHALL NOT BE REPRODUCED OR DISCLOSED WITHOUT WRITTEN CONSENT OF NIDEC MOTOR CORPORATION			
TITLE		CODE	REVISION DATE:
CUSTOMER DETAIL DRAWING		V02	16-MAY-19
ITEM NO.	REV	SHEET NUMBER	DWG SIZE
823412	A	1 OF 3	B