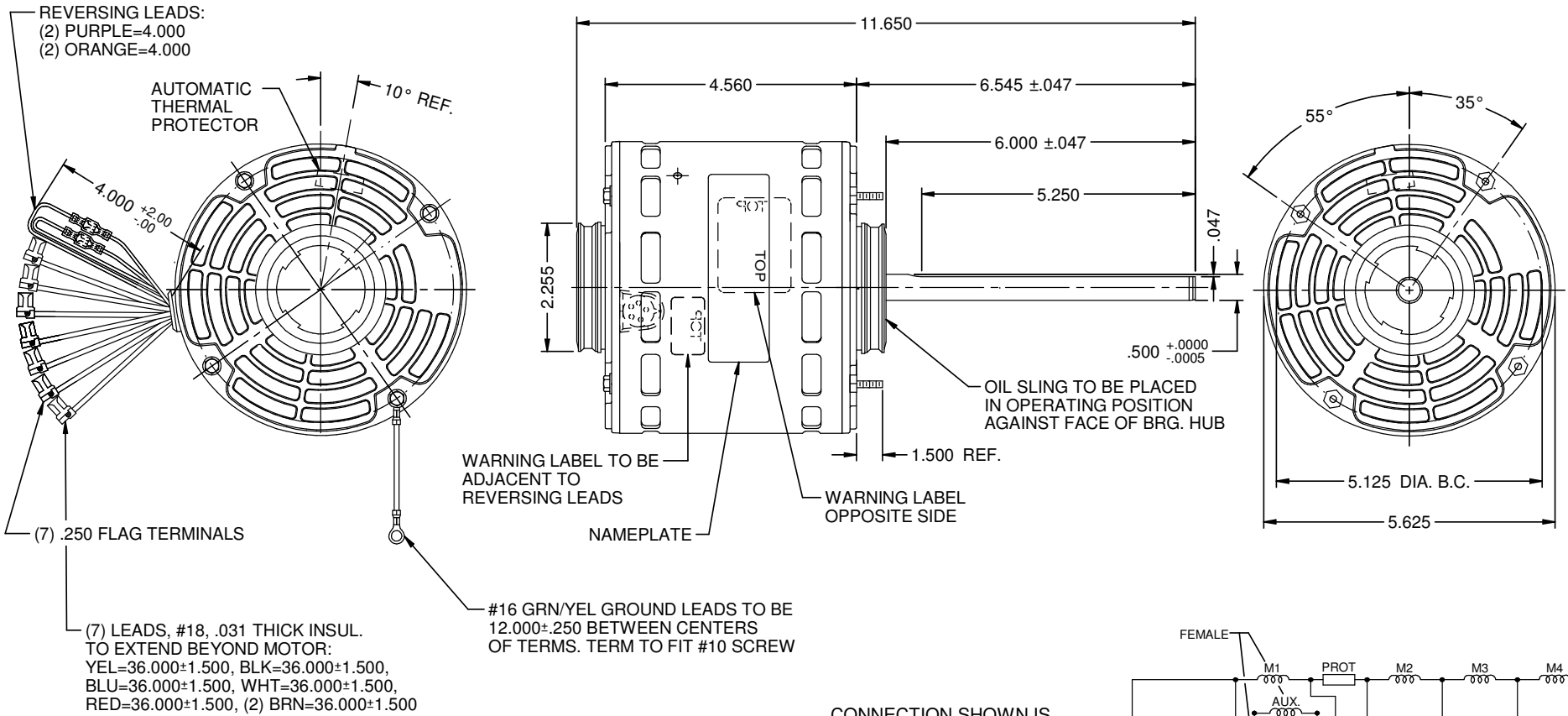
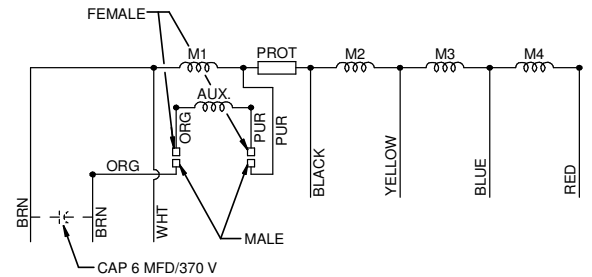


MODEL	REF	CUSTOMER	HP	VOLTS	AMPS	HZ	RPM	ROTATION	CAT. NO	DESCRIPTION / REMARKS
K55HXKDB-9445		STANDARD	1/3	208-230	2.3-2.2	60	1075/4 SPD	C.CW LE REV	5836	



CONNECTION SHOWN IS FOR C.CW LE. ROTATION TO REVERSE ROTATION, INTERCHANGE ORANGE AND PURPLE LEADS



NIDEC MOTOR CORPORATION 09-Oct-18

REFER TO S.E.I.M. 24-1

CREATED NEW DRAWING	REVISION RECORD FOR:	ECO: E32195
ISSUED BY: F. GARCIA	ENGINEER APPROVED:	P. RODRIGUEZ

DIMENSIONS ARE FOR REFERENCE ONLY

UNLESS TOLERANCE IS SPECIFIED

NIDEC MOTOR CORPORATION			
INFORMATION DISCLOSED ON THIS DOCUMENT IS CONSIDERED PROPRIETARY AND SHALL NOT BE REPRODUCED OR DISCLOSED WITHOUT WRITTEN CONSENT OF NIDEC MOTOR CORPORATION			
TITLE		REVISION DATE:	
CUSTOMER DETAIL DRAWING		09-OCT-18	
CODE	ITEM NO.	REV	SHEET NUMBER
V02	823094	--	1 OF 3
			DWG SIZE
			B