

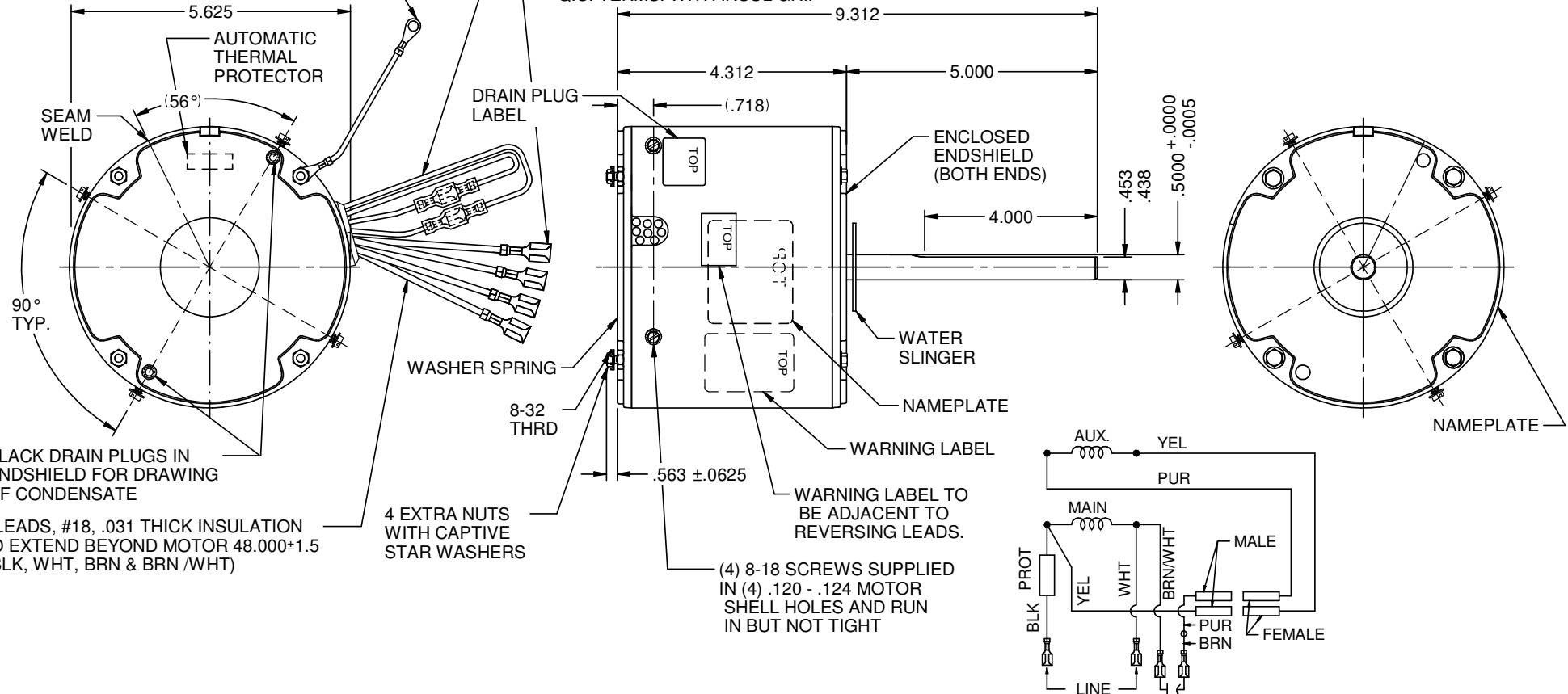
MODEL	REF	CUSTOMER	HP	VOLTS	AMPS	HZ	RPM	ROTATION	CATALOG #	DESCRIPCION / REMARKS
K55HXKPF-3337	----	WHOLESALE HAC	1/4-1/8	208-230	2.1	60	825	CCW LEAD END REV	5431	

#16 GRN/YEL GRN LEAD TO BE 12.000±.250 BETWEEN CENTER OF TERMS, TERM. TO FIT #10 SCREW

4 LEADS, #18, .031 THICK INSUL.
(2) YEL & (2) PUR FOR REVERSING ROTATION TO EXTEND BEYOND MOTOR 4.000 + 2.000 - 0.000

NOTE: NO CAPACITOR SUPPLIER CHANGE WITHOUT MARKETING APPROVAL**

(1) BRN, (1) BRN/WHT, (1) BLK & (1) WHT LEADS TO HAVE .250 STRAIGHT TYPE Q.C. TERMS. WITH INSUL GRIP



NIDEC MOTOR CORPORATION 23-Oct-18

REFER TO S.E.I.M. 24-1

CREATED DRAWING.	REVISION RECORD FOR: JC 72625
ISSUED BY: I. GOMEZ	ENGINEER APPROVED: J. RICE

DIMENSIONS ARE FOR REFERENCE ONLY
UNLESS TOLERANCE IS SPECIFIED

NIDEC MOTOR CORPORATION

INFORMATION DISCLOSED ON THIS DOCUMENT IS CONSIDERED PROPRIETARY AND SHALL NOT BE REPRODUCED OR DISCLOSED WITHOUT WRITTEN CONSENT OF NIDEC MOTOR CORPORATION

REVISION DATE: 25-SEP-18

TITLE	CODE	ITEM NO.	REV	SHEET NUMBER	DWG SIZE
CUSTOMER DETAIL DRAWING	V02	822872	-	1 OF 3	B