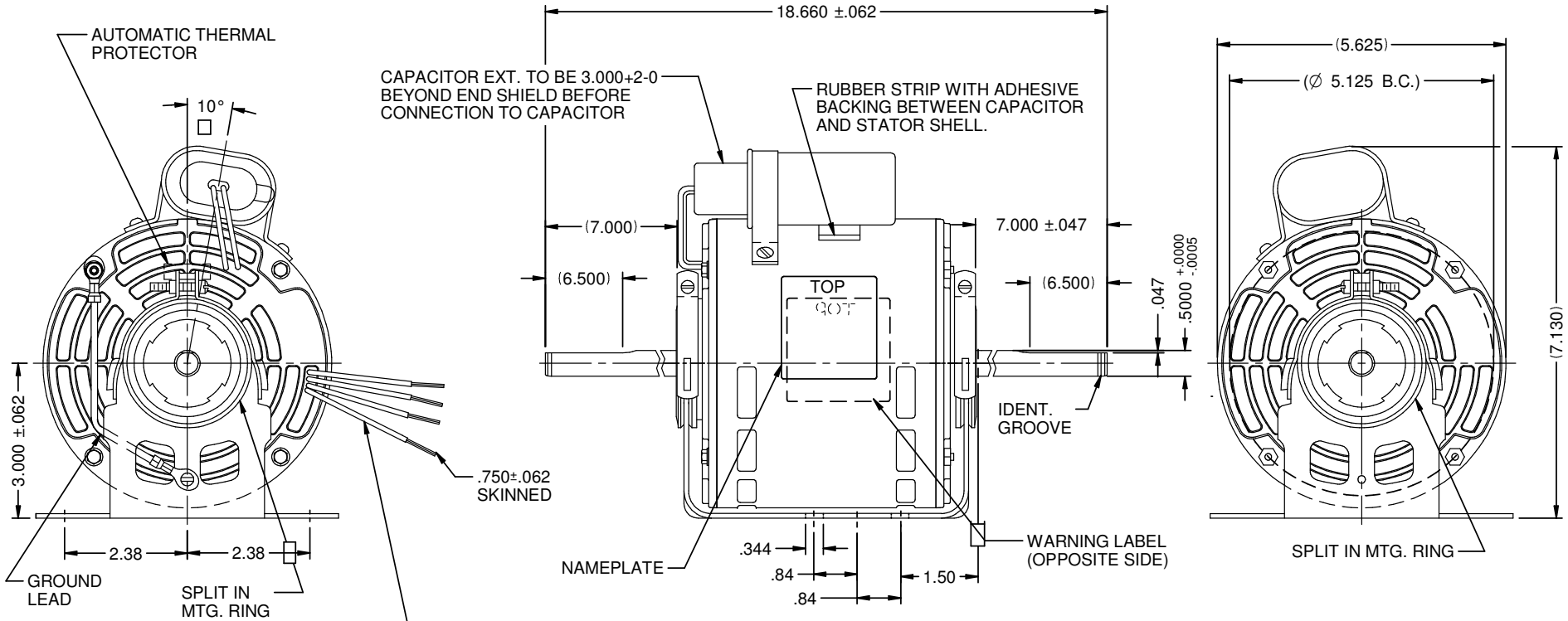


MODEL	REF	CUSTOMER	HP	VOLTS	AMPS	HZ	RPM	ROTATION	CUSTOMER PT. NO.	DESCRIPTION / REMARKS
K55HXHSP-5252		STANDARD	1/6	115	2.9	60	1075/3 SPD	CCW LEAD END	1240	



4 LEADS #18, .031 THICK INSUL TO EXTEND BEYOND MOTOR:  
 PUR(C)= $20.000 \pm 2-0$ , BLK(1)= $19.250 \pm 2-0$   
 RED(3)= $19.250 \pm 2-0$ , BLUE(2)= $19.250 \pm 2-0$ ,  
 FIGURES TO BE PRINTED ON LEADS

FIGURES TO BE PRINTED ON LEADS



SUPPLIED DETACHED:  
 1 - WASHER SLINGER

NIDEC MOTOR CORPORATION 20-May-19

REFER TO S.E.I.M. 24-1

REVISION RECORD FOR: ECO: E32250		DIMENSIONS ARE FOR REFERENCE ONLY		<b>NIDEC MOTOR CORPORATION</b> INFORMATION DISCLOSED ON THIS DOCUMENT IS CONSIDERED PROPRIETARY AND SHALL NOT BE REPRODUCED OR DISCLOSED WITHOUT WRITTEN CONSENT OF NIDEC MOTOR CORPORATION				REVISION DATE: 28-SEP-18	
NEW DRAWING. DELETED NOTE INFORMATION "1-INSTRUCTION FORM" UNDER ECO E34367		UNLESS TOLERANCE IS SPECIFIED						TITLE: CUSTOMER DETAIL DRAWING	CODE: V02
ISSUED BY: G. ISASSI	ENGINEER APPROVED: Z. TREVIÑO								