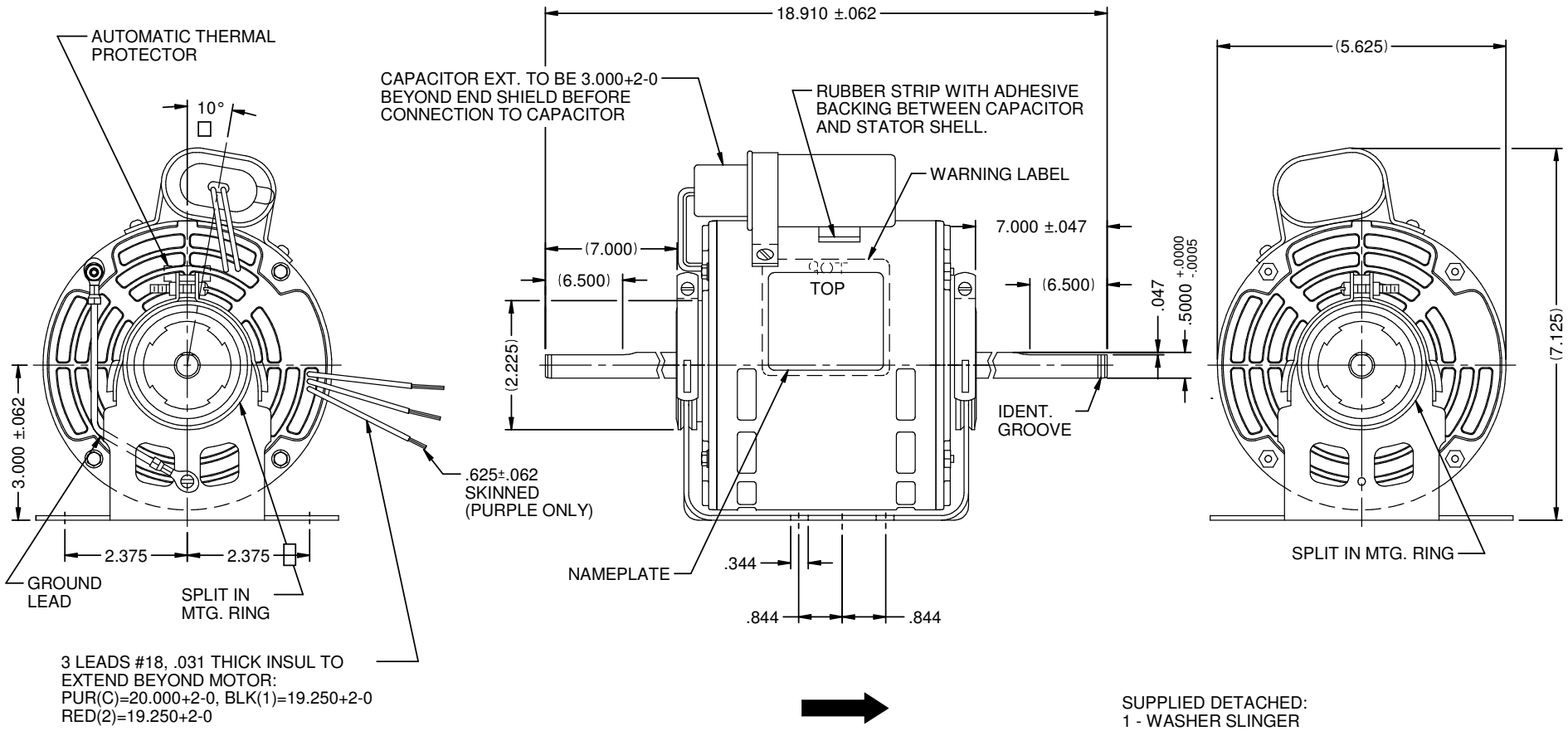


MODEL	REF	CUSTOMER	HP	VOLTS	AMPS	HZ	RPM	ROTATION	CUSTOMER PT. NO.	DESCRIPTION / REMARKS
K55HXCGM-4982		STANDARD	1/4	230	1.8	60	1625/2 SPD	CCW LEAD END	1243	KD55 RES MTD SLEEVE BRG OPEN



NIDEC MOTOR CORPORATION 20-May-19

REFER TO S.E.I.M. 24-1

REVISION RECORD FOR: ECO: E32250

NEW DRAWING.
DELETED NOTE INFORMATION "1-INSTRUCTION FORM" UNDER ECO E34367

DIMENSIONS ARE FOR
REFERENCE ONLY

NIDEC MOTOR CORPORATION

INFORMATION DISCLOSED ON THIS DOCUMENT IS CONSIDERED PROPRIETARY AND SHALL NOT BE
REPRODUCED OR DISCLOSED WITHOUT WRITTEN CONSENT OF NIDEC MOTOR CORPORATION

REVISION DATE:
27-SEP-18

ISSUED BY: **G. ISASSI**

ENGINEER APPROVED: **Z. TREVIÑO**

UNLESS TOLERANCE
IS SPECIFIED

TITLE
CUSTOMER DETAIL DRAWING

CODE
V02

ITEM NO.
822861

REV
-

SHEET
NUMBER
1 OF 3

DWG
SIZE
B