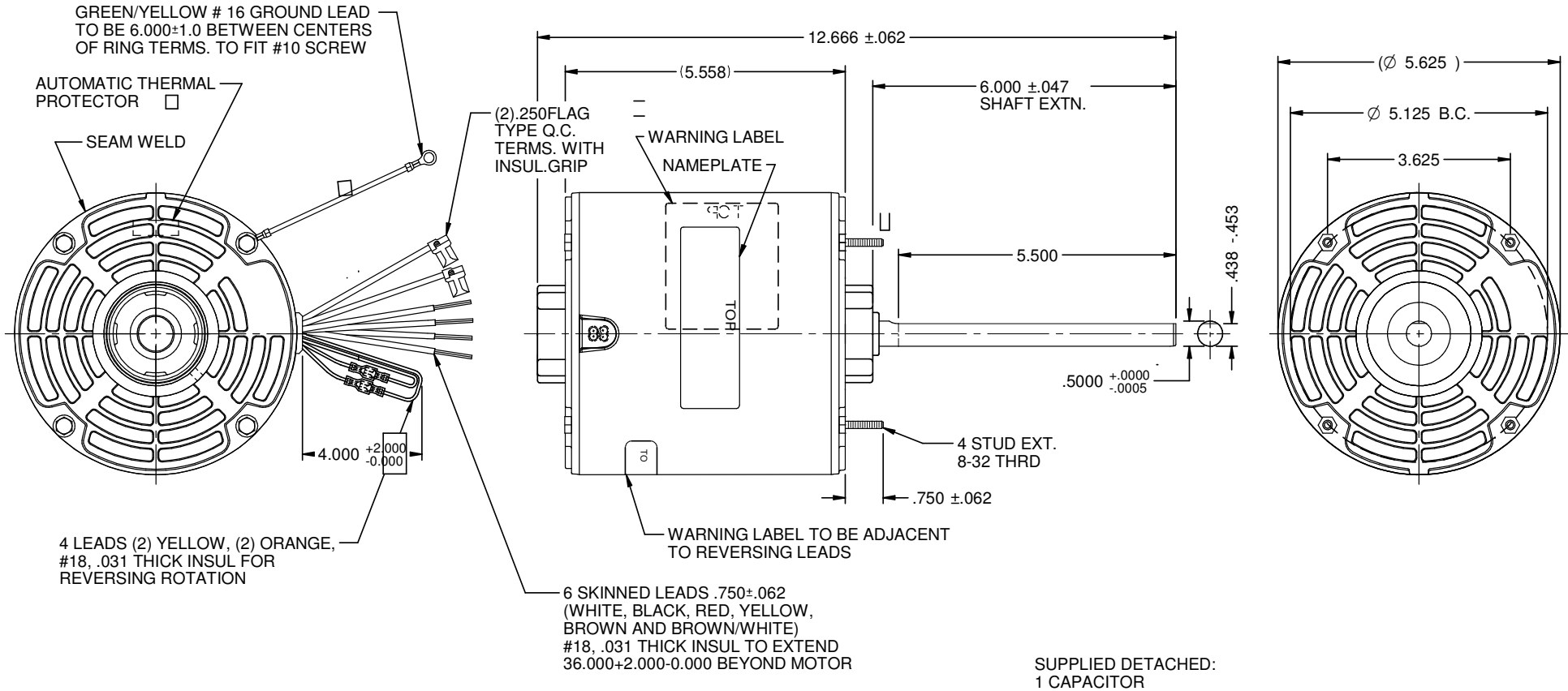


| MODEL | REF | CUSTOMER | HP | VOLTS | AMPS | HZ | RPM | ROTATION | CUSTOMER PT. NO. | DESCRIPTION / REMARKS |
|---------------|-----|-----------|-----|-------|------|----|------------|-------------------|------------------|--------------------------|
| K55HXTWY-0053 | | WHOLESALE | 3/4 | 460 | 2.2 | 60 | 1075/2 SPD | CCW LEAD END, REV | 8947 | K55 STUD MTD, BALL, OPAO |



NIDEC MOTOR CORPORATION 24-May-19

REFER TO S.E.I.M. 24-1

| | |
|--|-------------|
| REVISION RECORD FOR: | ECO: E32250 |
| NEW DRAWING. | |
| DELETED NOTE INFORMATION "1 FORM" UNDER ECO E34367 | |
| ISSUED BY: | G. ISASSI |
| ENGINEER APPROVED: | Z. TREVIÑO |

DIMENSIONS ARE FOR REFERENCE ONLY

UNLESS TOLERANCE IS SPECIFIED

NIDEC MOTOR CORPORATION

INFORMATION DISCLOSED ON THIS DOCUMENT IS CONSIDERED PROPRIETARY AND SHALL NOT BE REPRODUCED OR DISCLOSED WITHOUT WRITTEN CONSENT OF NIDEC MOTOR CORPORATION

REVISION DATE:
27-SEP-18

| | | | | | |
|-------------------------|------|----------|-----|--------------|----------|
| TITLE | CODE | ITEM NO. | REV | SHEET NUMBER | DWG SIZE |
| CUSTOMER DETAIL DRAWING | V02 | 822860 | - | 1 OF 3 | B |