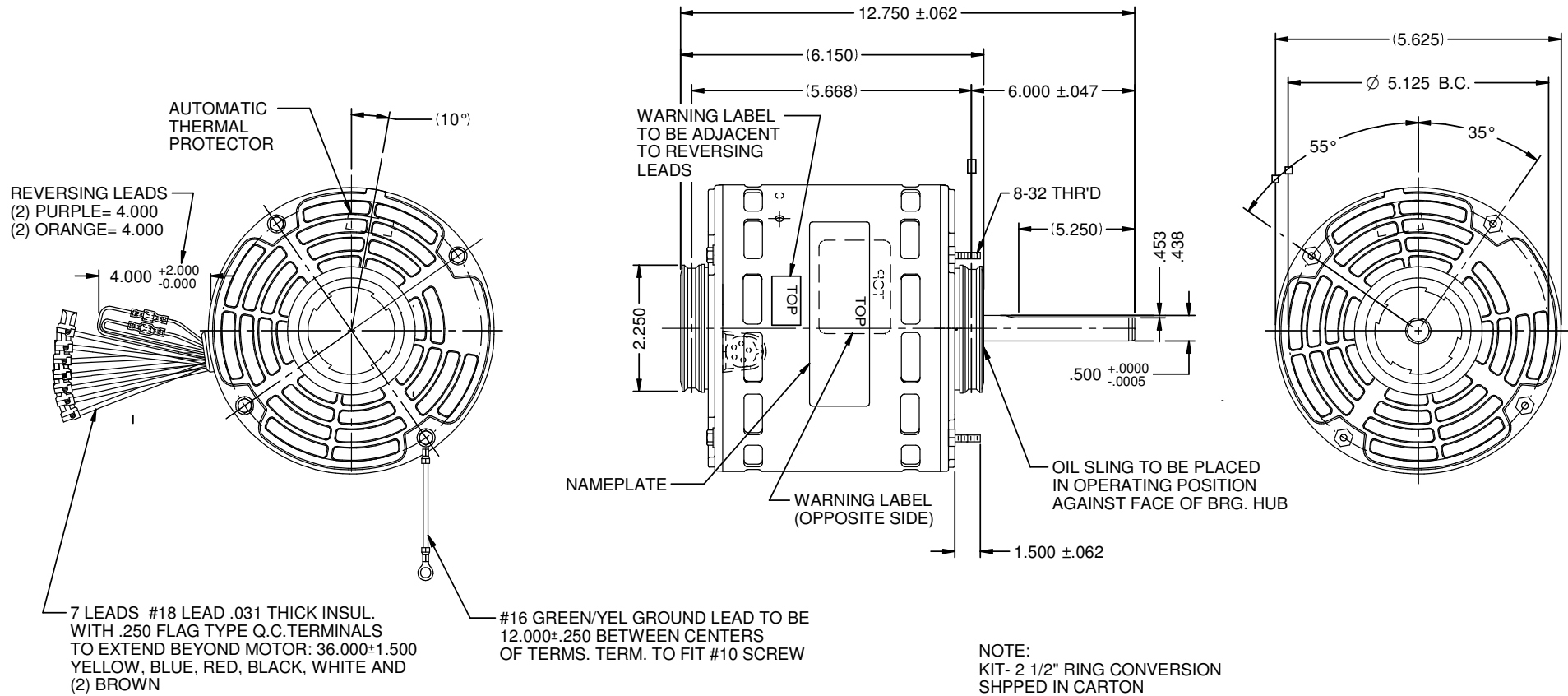


MODEL	REF	CUSTOMER	HP	VOLTS	AMPS	HZ	RPM	ROTATION	CAT. NO.	DESCRIPTION / REMARKS
K55HXKDF-9449		STANDARD	1/2	208-230	3.3-3.1	60	1075/4 SPD	CCW LEAD END, REV	5841	K55 HUB, S/A BRG. OPEN



NIDEC MOTOR CORPORATION 26-Sep-18

REFER TO S.E.I.M. 24-1

NEW DRAWING.		REVISION RECORD FOR: ECO: E32250	DIMENSIONS ARE FOR REFERENCE ONLY		<b>NIDEC MOTOR CORPORATION</b>			
			UNLESS TOLERANCE IS SPECIFIED		INFORMATION DISCLOSED ON THIS DOCUMENT IS CONSIDERED PROPRIETARY AND SHALL NOT BE REPRODUCED OR DISCLOSED WITHOUT WRITTEN CONSENT OF NIDEC MOTOR CORPORATION			
ISSUED BY: G. ISASSI		ENGINEER APPROVED: Z. TREVIÑO			TITLE: CUSTOMER DETAIL DRAWING	CODE: V02	ITEM NO.: 822855	REVISION DATE: 26-SEP-18
							REV: -	SHEET NUMBER: 1 OF 3
								DWG SIZE: B