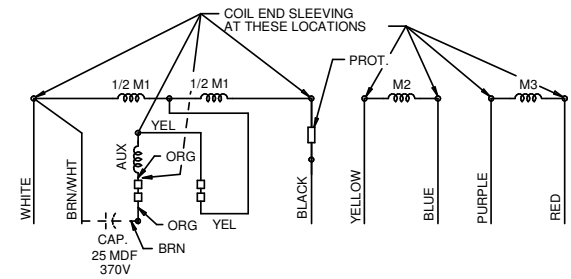
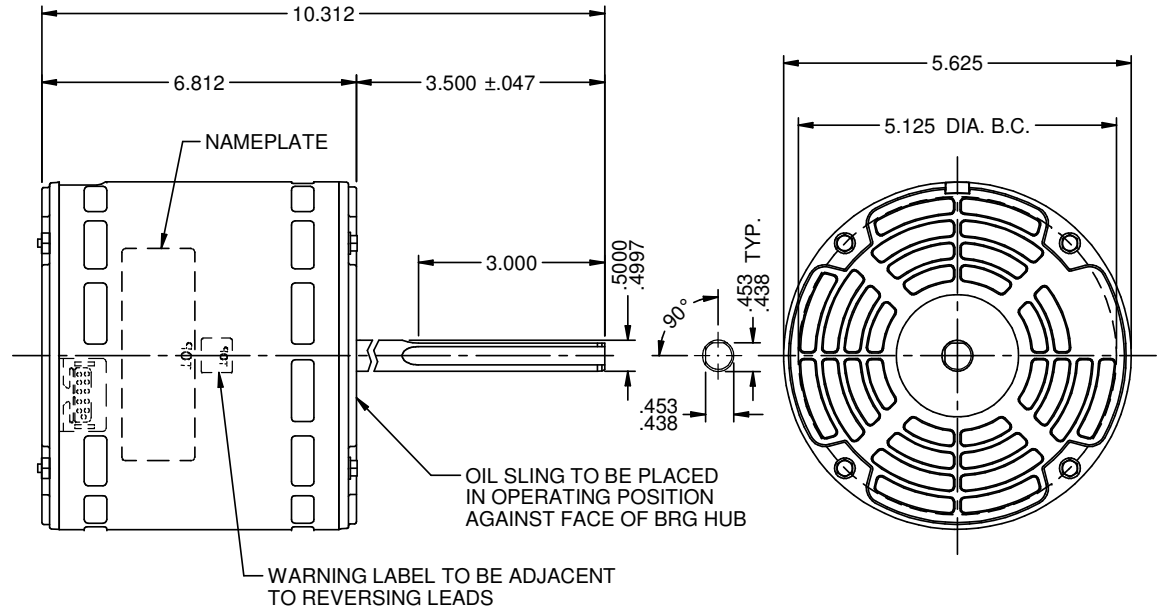
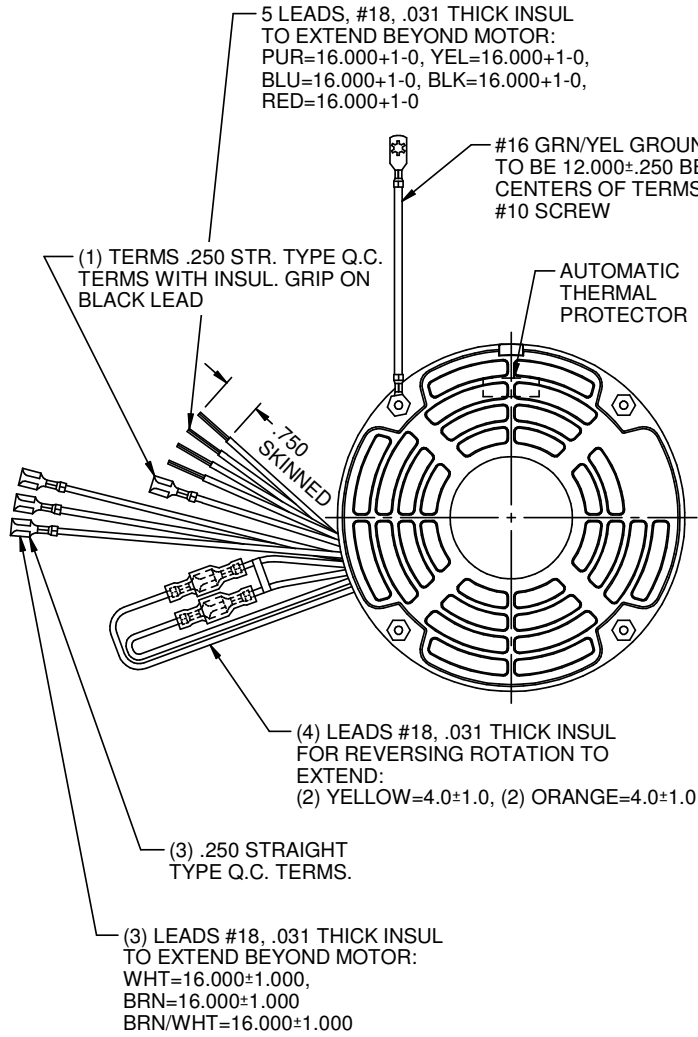


MODEL	REF	CUSTOMER	HP	VOLTS	AMPS	HZ	RPM	ROTATION	CAT. NO	DESCRIPTION / REMARKS
K55ZZTFJ-8673	A12021	STANDARD	1	460	3.3	60	1100/3 SPD	C.CW LEAD END REV	2553	



NIDEC MOTOR CORPORATION 04-Oct-18

REFER TO S.E.I.M. 24-1

REVISION RECORD FOR:	ECO: E32195
CREATED NEW DRAWING	
ISSUED BY:	F. GARCIA
ENGINEER APPROVED:	P. RODRIGUEZ

DIMENSIONS ARE FOR REFERENCE ONLY

UNLESS TOLERANCE IS SPECIFIED

NIDEC MOTOR CORPORATION			
INFORMATION DISCLOSED ON THIS DOCUMENT IS CONSIDERED PROPRIETARY AND SHALL NOT BE REPRODUCED OR DISCLOSED WITHOUT WRITTEN CONSENT OF NIDEC MOTOR CORPORATION			
TITLE		REVISION DATE:	
CUSTOMER DETAIL DRAWING		04-OCT-18	
CODE	ITEM NO.	REV	SHEET NUMBER
V02	822840	--	1 OF 3
			DWG SIZE
			B