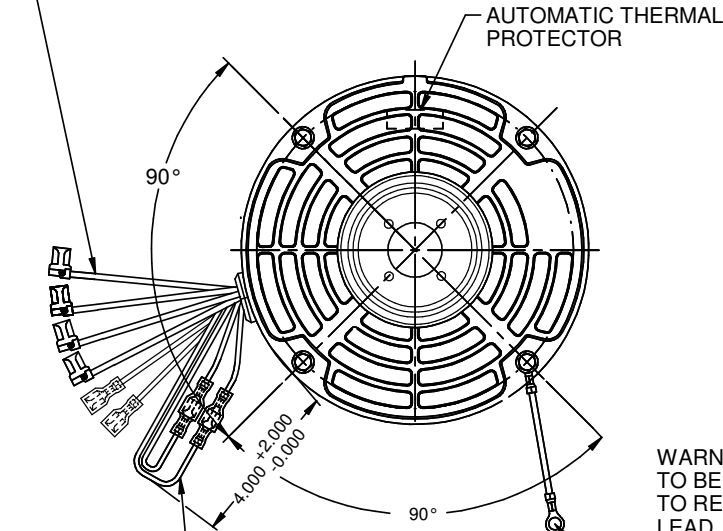


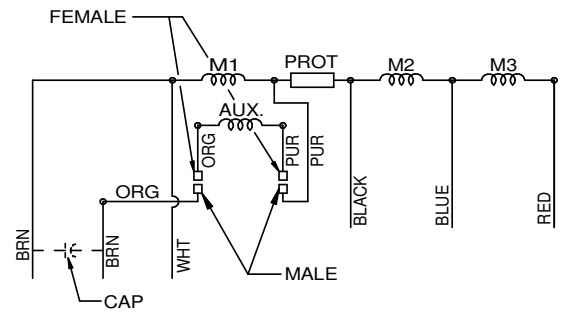
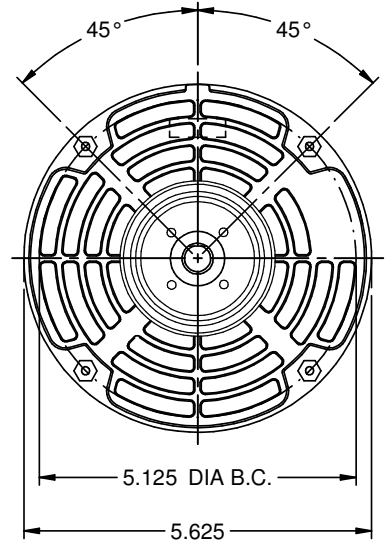
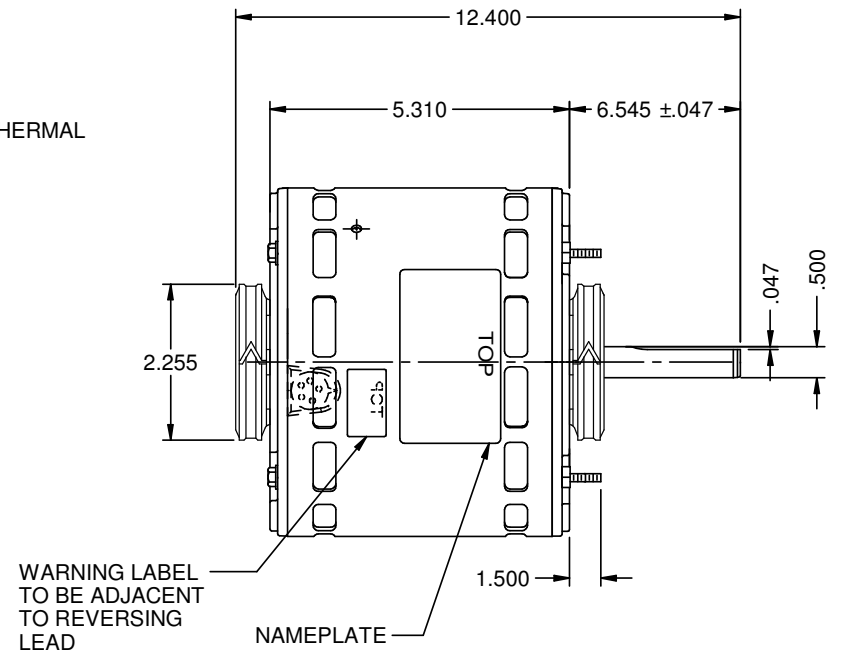
MODEL	REF	CUSTOMER	CUSTOMER PN	HP	VOLTS	AMPS	HZ	RPM	ROTATION	DESCRIPTION / REMARKS
K55HXTMZ-9595		WHOLESALE - HAC	1700	1	208-230	5.1	60	1625/3 SPD	CCW LE REV.	

4 LEADS #18, .031 THICK INSUL WITH .250 FLAG TERMINAL TO EXTEND BEYOND MOTOR:
 RED=36.000±1.500, BLK=36.000±1.500
 BLU=36.000±1.500, WHT=36.000±1.500
 (2)BROWN=36.000±1.500 INSUL WITH Q.C. STRAIGHT TERMS.



REVERSING LEADS
2 PUR
2 ORG

#16 GRN/YEL GROUND LEADS TO BE 12.000±.250 BETWEEN CENTERS OF TERMS. TERM TO FIT #10 SCREW



CONNECTION SHOWN IS FOR CCW LE ROTATION TO REVERSE ROTATION, INTERCHANGE ORANGE AND PURPLE LEADS.

REFER TO S.E.I.M. 24-1

NIDEC MOTOR CORPORATION 14-Sep-18

NEW DRAWING CREATED.	REVISION RECORD FOR:	ECO E32155
ISSUED BY:	ENGINEER APPROVED:	
I. GUTIERREZ	P. RODRIGUEZ	

DIMENSIONS ARE FOR REFERENCE ONLY

UNLESS TOLERANCE IS SPECIFIED

NIDEC MOTOR CORPORATION			
INFORMATION DISCLOSED ON THIS DOCUMENT IS CONSIDERED PROPRIETARY AND SHALL NOT BE REPRODUCED OR DISCLOSED WITHOUT WRITTEN CONSENT OF NIDEC MOTOR CORPORATION			
TITLE		CODE	REVISION DATE:
CUSTOMER DETAIL DRAWING		V02	13-SEP-18
ITEM NO.	REV	SHEET NUMBER	DWG SIZE
822731	--	1 OF 3	B