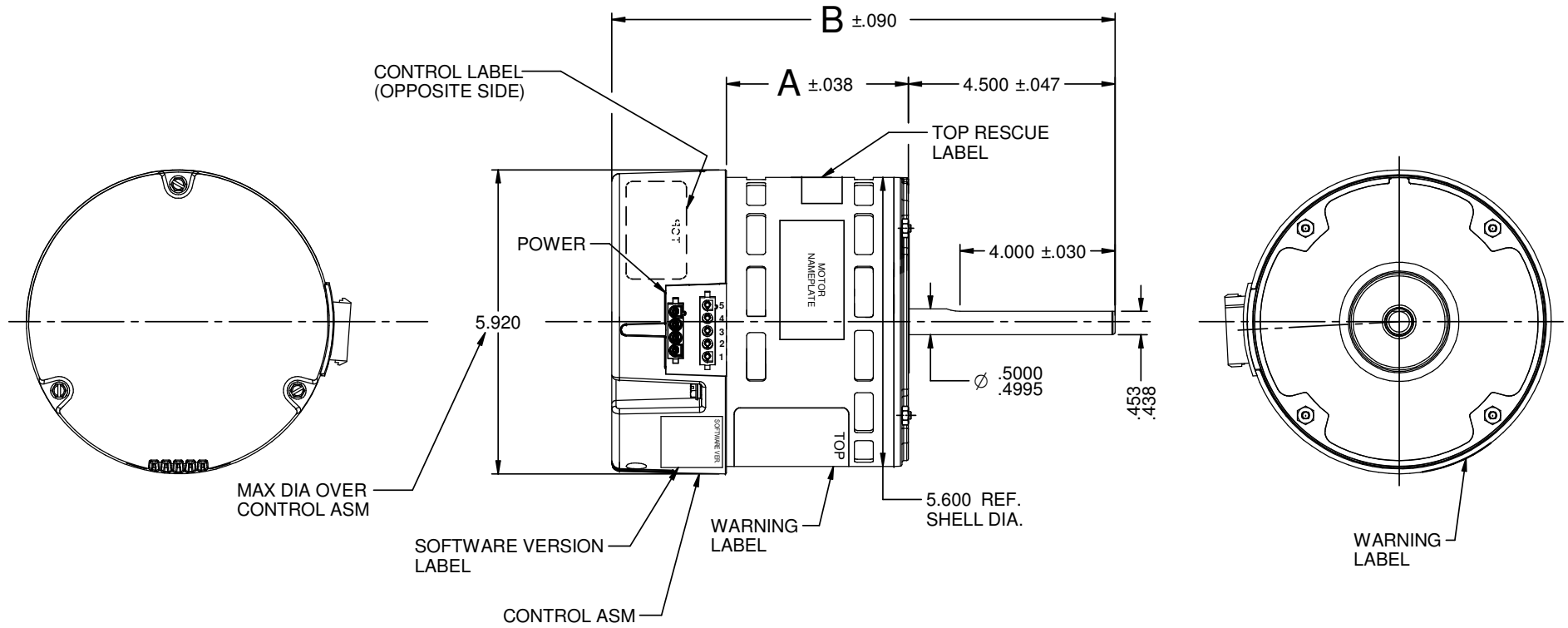


VAR	MODEL	CUSTOMER	H.P.	VOLTS	AMPS	SW. VER.	HZ	R.P.M.	ROTATION	MODE	CUST. PT. NO.	DIM. A	DIM. B
001	M055PWDNM-0691	WHOLESALE HAC	1/2-1/3	277	3.2	182	50/60	1250/VAR	CW LE	TORQUE	7630UI	3.531	10.750
002	M055PWDNL-0690	WHOLESALE HAC	1 - 3/4	277	6.0	181	50/60	1250/VAR	CW LE	TORQUE	7650UI	4.531	11.750
003	M055PWDNP-0693	WHOLESALE HAC	1/2 - 1/3	277	3.2	182	50/60	1250/VAR	CCW LE	TORQUE	7631UI	3.531	10.750
004	M055PWDNN-0692	WHOLESALE HAC	1 - 3/4	277	6.0	181	50/60	1250/VAR	CCW LE	TORQUE	7651UI	4.531	11.750

REV. A



NIDEC MOTOR CORPORATION 27-Jul-18

REFER TO S.E.I.M. 24-1

REVISION RECORD FOR:		E31813
VAR. 002 ADDED.		
VAR. 003 ADDED BY E31800.		
VAR. 004 ADDED BY E31816.		
ISSUED BY:	ENGINEER APPROVED:	
E. REYES	S. NGO	

TOLERANCES ON DIMENSIONS (UNLESS OTHERWISE SPECIFIED)	
INCHES	mm
.XX = ± .010	
.XXX = ± .005	
ANGLES X° = ±1°	

NIDEC MOTOR CORPORATION			
INFORMATION DISCLOSED ON THIS DOCUMENT IS CONSIDERED PROPRIETARY AND SHALL NOT BE REPRODUCED OR DISCLOSED WITHOUT WRITTEN CONSENT OF NIDEC MOTOR CORPORATION			REVISION DATE:
TITLE			27-JUL-18
CODE	ITEM NO.	REV	SHEET NUMBER
V02	821928	A	1 OF 6
DWG SIZE		B	