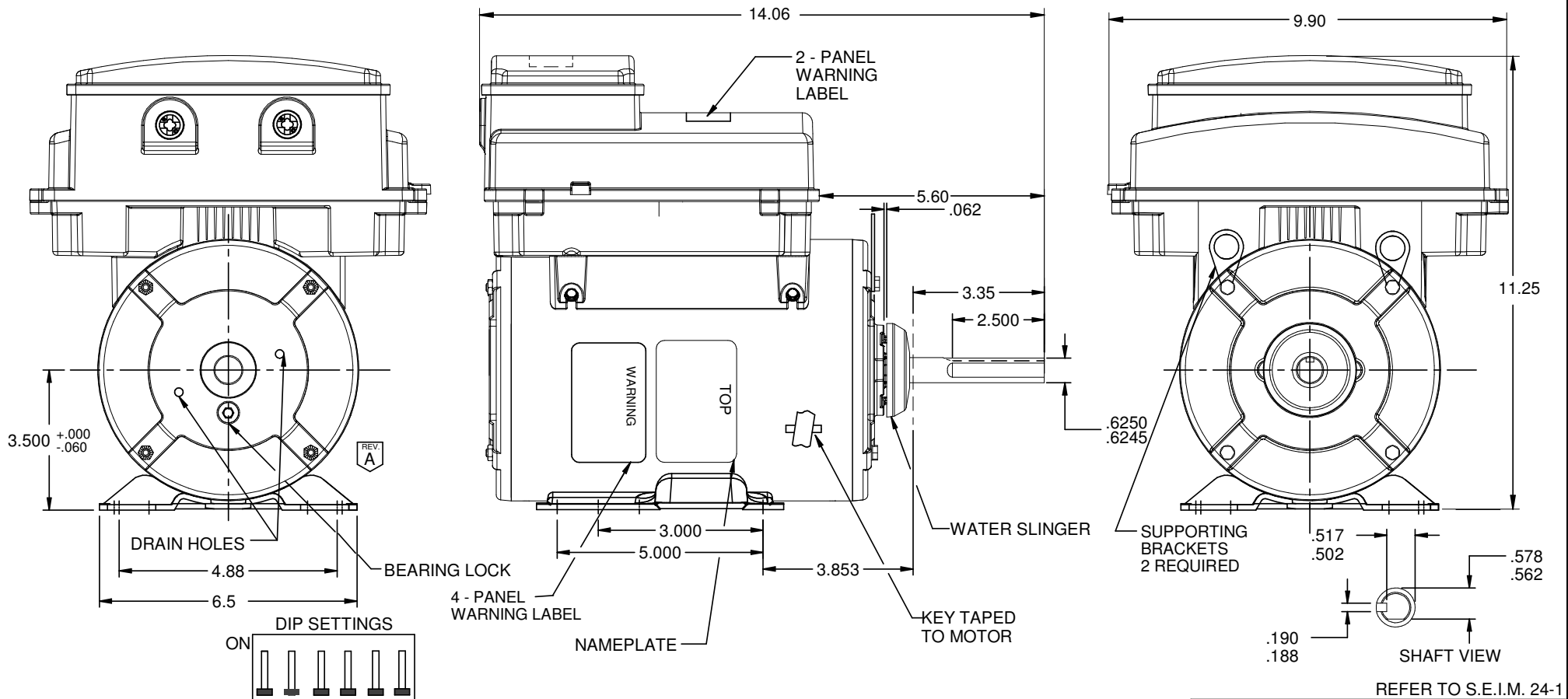


VAR	MODEL	H.P	VOLTS	AMPS	HZ	RPM	ROTATION	CATALOG NO.
001	M063PWBMK-0148	2.5	208-230	6.5-5.8	60/50	300-1200	REVERSIBLE	6361EO
002	M063PWBNIH-0168	2.25	460	2.7	60/50	300-1200	REVERSIBLE	6362EO



REFER TO S.E.I.M. 24-1

CUSTOMER: **WHOLESALE-HAC**

NIDEC MOTOR CORPORATION 02-Jan-19

REVISION RECORD FOR:		ECO E31451
IT WAS REMOVED SLOT IN SCREW OF ENDSHIELD SHAFT END		
ISSUED BY:	ENGINEER APPROVED:	
C.ALMAGUER	J.SALINAS	

TOLERANCES ON DIMENSIONS (UNLESS OTHERWISE SPECIFIED)	
INCHES .XX = ± .010 .XXX = ± .005	mm
ANGLES X° = ±1°	

NIDEC MOTOR CORPORATION			
INFORMATION DISCLOSED ON THIS DOCUMENT IS CONSIDERED PROPRIETARY AND SHALL NOT BE REPRODUCED OR DISCLOSED WITHOUT WRITTEN CONSENT OF NIDEC MOTOR CORPORATION			
TITLE		CODE	ITEM NO.
CUSTOMER DETAIL DRAWING		V02	819021
REV	SHEET NUMBER	DWG SIZE	REVISION DATE
A	1 OF 6	B	02-JAN-19