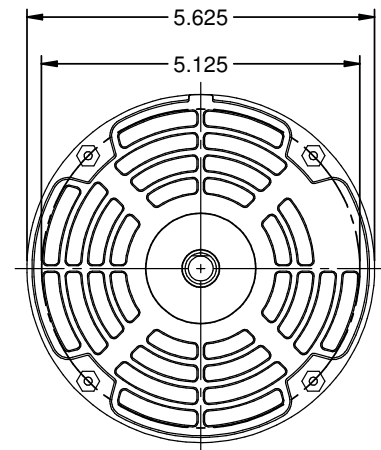
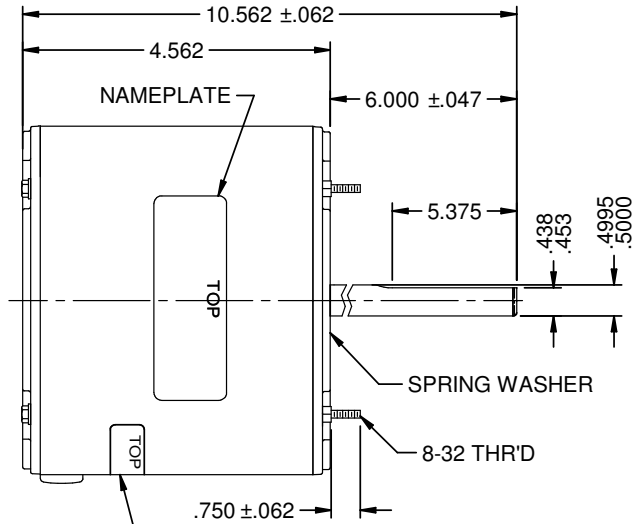
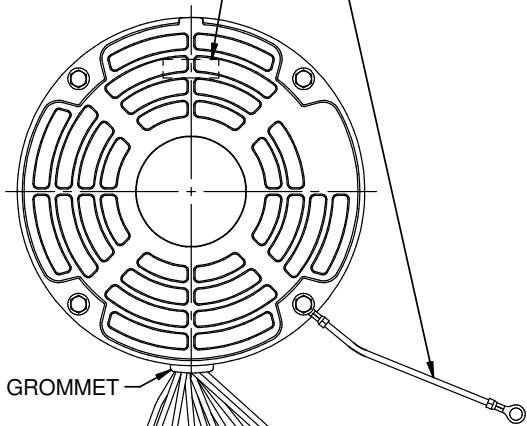


MODEL	REF	CUSTOMER	HP	VOLTS	AMPS	HZ	RPM	ROTATION	CAT. NO.	DESCRIPTION / REMARKS
K55HXTWG-0049	A20834	STANDARD	1/4	460	0.8	50/60	1625/2 SPD	CCW LEAD END REV	8944	

AUTOMATIC THERMAL PROTECTOR

#18 GRN/YEL GROUND LEAD TO BE 12.000±.250 BETWEEN CENTERS OF TERMINALS. TERMINAL TO FIT #10 SCREW



GROMMET

6 LEADS, .031 THICK INSUL TO EXTEND BEYOND MOTOR:
 WHT= 36.000±1.5, BLK= 36.000±1.5
 BLU= 36.000±1.5, RED= 36.000±1.5
 (2) BRN= 36.000±1.5

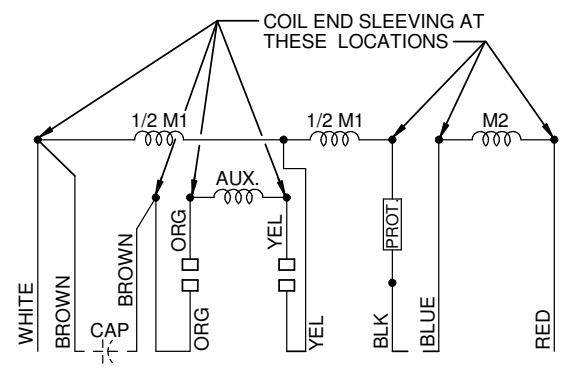
(2) .250 FLAG TYPE Q.C. TERMINAL WITH INSUL GRIP ON BRN LEAD

STRIP .500 ON WHT, BLK, BLU AND RED LEADS

4 LEADS #18, .031 THICK INSUL TO EXTEND BEYOND MOTOR FOR REVERSING ROTATION
 (2) ORANGE= 4.000+2-0,
 (2) YELLOW= 4.000+2-0

WARNING LABEL TO BE ADJACENT TO REVERSING LEADS

ROTATION IS CENTER CLOCKWISE VIEWING LEAD END WITH ORG TO ORG & YEL TO YEL. TO REVERSE ROTATION INTERCHANGE ORG & YEL LEADS



NIDEC MOTOR CORPORATION 25-May-17

REFER TO S.E.I.M. 24-1

NEW DRAWING.	REVISION RECORD FOR: E28699
ISSUED BY: B. ANDRADE	ENGINEER APPROVED: H. NAVARRO

DIMENSIONS ARE FOR REFERENCE ONLY

UNLESS TOLERANCE IS SPECIFIED

NIDEC MOTOR CORPORATION			
INFORMATION DISCLOSED ON THIS DOCUMENT IS CONSIDERED PROPRIETARY AND SHALL NOT BE REPRODUCED OR DISCLOSED WITHOUT WRITTEN CONSENT OF NIDEC MOTOR CORPORATION			
TITLE		CODE	REVISION DATE:
CUSTOMER DETAIL DRAWING		V02	25-MAY-17
ITEM NO.	REV	SHEET NUMBER	DWG SIZE
815765	-	1 OF 3	B