

MODEL	REF	CUSTOMER	HP	VOLTS	AMPS	HZ	RPM	ROTATION	CATALOG NO.	DESCRIPTION / REMARKS
K55HXRWB-9538		STANDARD	1/2	277	3.4	60	1075/3 SPD	CCW LEAD END REV	602	

#16 GRN/YEL GROUND LEAD TO BE  
12.000±.250 BETWEEN CENTERS  
OF TERMS. TERM. TO FIT  
#10 SCREW

AUTOMATIC  
THERMAL  
PROTECTOR

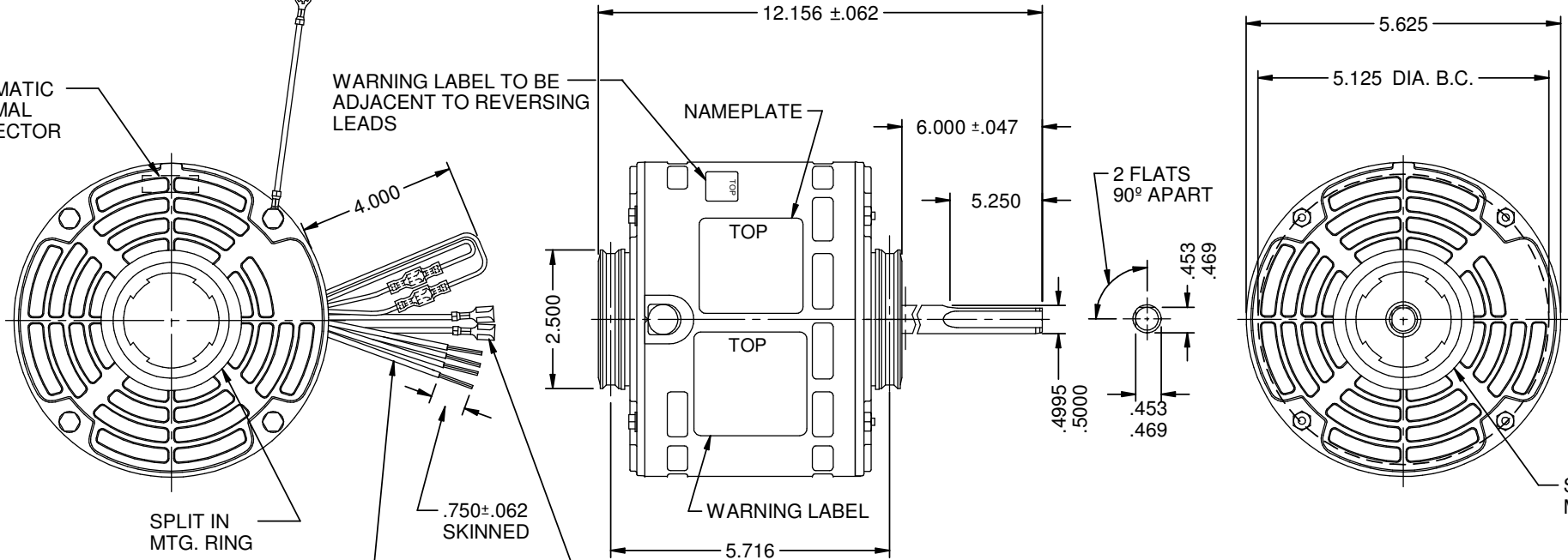
WARNING LABEL TO BE  
ADJACENT TO REVERSING  
LEADS

NAMEPLATE

WARNING LABEL

2 FLATS  
90° APART

SPLIT IN  
MTG. RING

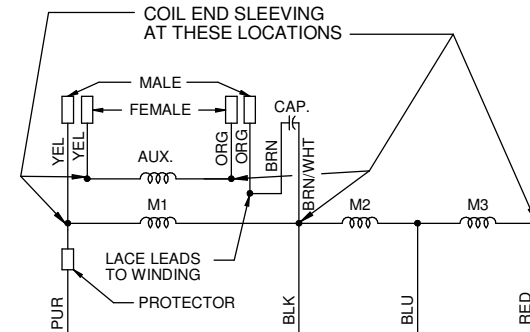


6 LEADS, #18, .031 THICK INSUL.  
TO EXTEND BEYOND MOTOR:  
PUR(C)=24.000 +2-0, BLK(1)=23.250 +2-0,  
BLU(2)=23.250 +2-0, RED(3)=23.250 +2-0,  
BROWN=24.000 +2-0 & BROWN/WHT=24.000 +2-0  
FIGURES TO BE PRINTED ON LEADS

(2) .250 STRAIGHT  
TYPE Q.C. TERMS.

COLOR CODE  
PURPLE - COMMON  
BLACK - HIGH  
BLUE - MED  
RED - LOW  
BROWN - CAPACITOR  
BROWN/WHT - CAPACITOR

6.0 MFD 370V  
CAPACITOR



NIDEC MOTOR CORPORATION 24-May-17

REFER TO S.E.I.M. 24-1

REVISION RECORD FOR: E28700		DIMENSIONS ARE FOR REFERENCE ONLY	<b>NIDEC MOTOR CORPORATION</b>						
CREATED DRAWING:			INFORMATION DISCLOSED ON THIS DOCUMENT IS CONSIDERED PROPRIETARY AND SHALL NOT BE REPRODUCED OR DISCLOSED WITHOUT WRITTEN CONSENT OF NIDEC MOTOR CORPORATION		REVISION DATE: <b>23-MAY-17</b>				
ISSUED BY: G. MEDINA		UNLESS TOLERANCE IS SPECIFIED	TITLE <b>CUSTOMER DETAIL DRAWING</b>		CODE <b>V02</b>	ITEM NO. <b>815747</b>	REV -	SHEET NUMBER 1 OF 3	DWG SIZE <b>B</b>
ENGINEER APPROVED: H. NAVARRO									