

MODEL	REF	CUSTOMER	HP	VOLTS	AMPS	HZ	RPM	ROTATION	CATALOG NO.	DESCRIPTION / REMARKS
K55HRWA-9537		STANDARD	1/3	277	2.2	60	1075/3 SPD	CCW LE REV	601	

#16 GRN/YEL GROUND LEAD TO BE 12.000±.250 BETWEEN CENTERS OF TERMS. TERM. TO FIT #10 SCREW

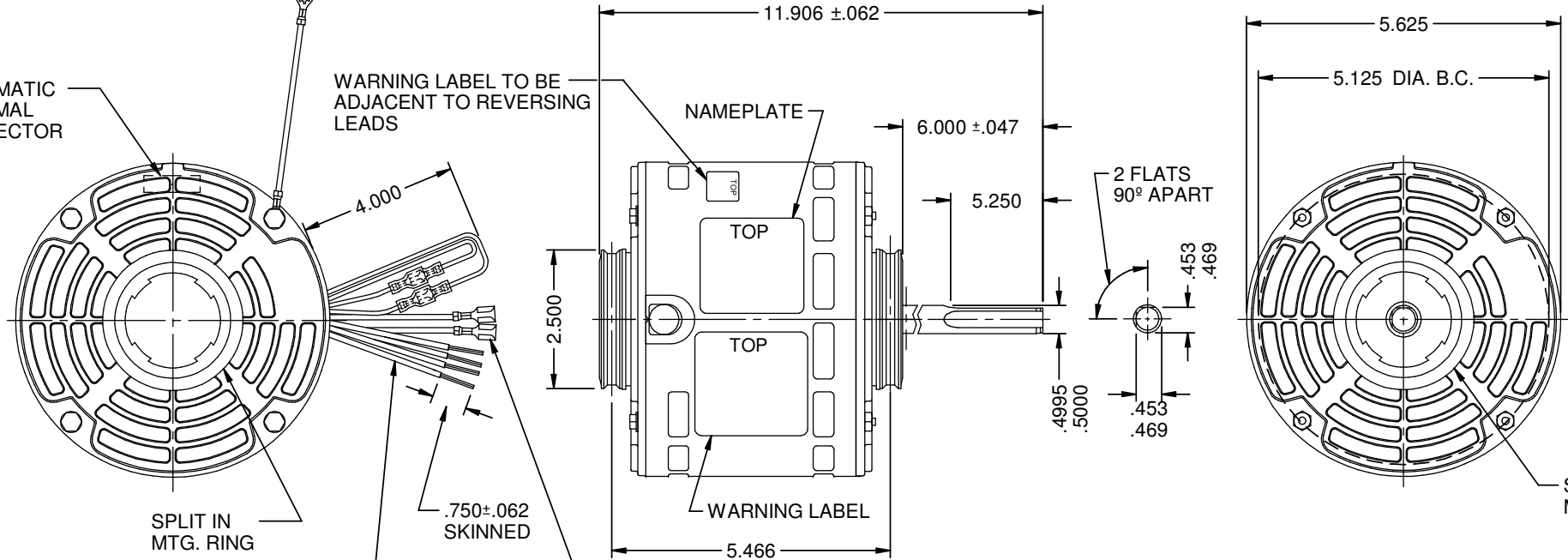
AUTOMATIC THERMAL PROTECTOR

WARNING LABEL TO BE ADJACENT TO REVERSING LEADS

NAMEPLATE

2 FLATS 90° APART

SPLIT IN MTG. RING

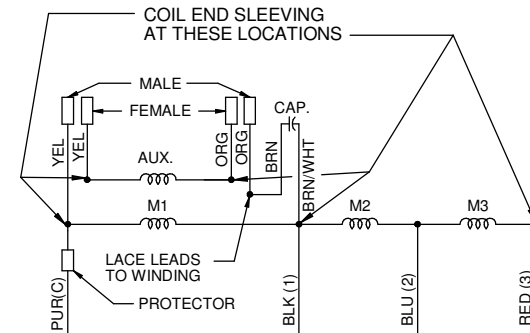


6 LEADS, #18, .031 THICK INSUL. TO EXTEND BEYOND MOTOR:  
 PUR(C)=24.000 +2-0, BLK(1)=23.250 +2-0,  
 BLU(2)=23.250 +2-0, RED(3)=23.250 +2-0,  
 BROWN=24.000 +2-0 & BROWN/WHT=24.000 +2-0  
 FIGURES TO BE PRINTED ON LEADS

(2) .250 STRAIGHT TYPE Q.C. TERMS.

COLOR CODE  
 PURPLE(C) - COMMON  
 BLACK(1) - HIGH  
 BLUE(2) - MED  
 RED(3) - LOW  
 BROWN - CAPACITOR  
 BROWN/WHT - CAPACITOR

4.0 MFD 370V CAPACITOR



NIDEC MOTOR CORPORATION 24-May-17

REFER TO S.E.I.M. 24-1

REVISION RECORD FOR: E28700		DIMENSIONS ARE FOR REFERENCE ONLY	<b>NIDEC MOTOR CORPORATION</b>						
CREATED DRAWING:			INFORMATION DISCLOSED ON THIS DOCUMENT IS CONSIDERED PROPRIETARY AND SHALL NOT BE REPRODUCED OR DISCLOSED WITHOUT WRITTEN CONSENT OF NIDEC MOTOR CORPORATION		REVISION DATE: 23-MAY-17				
ISSUED BY: G. MEDINA		UNLESS TOLERANCE IS SPECIFIED	TITLE		CODE	ITEM NO.	REV	SHEET NUMBER	DWG SIZE
ENGINEER APPROVED: H. NAVARRO			CUSTOMER DETAIL DRAWING		V02	815746	-	1 OF 3	B