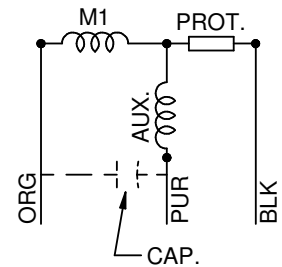
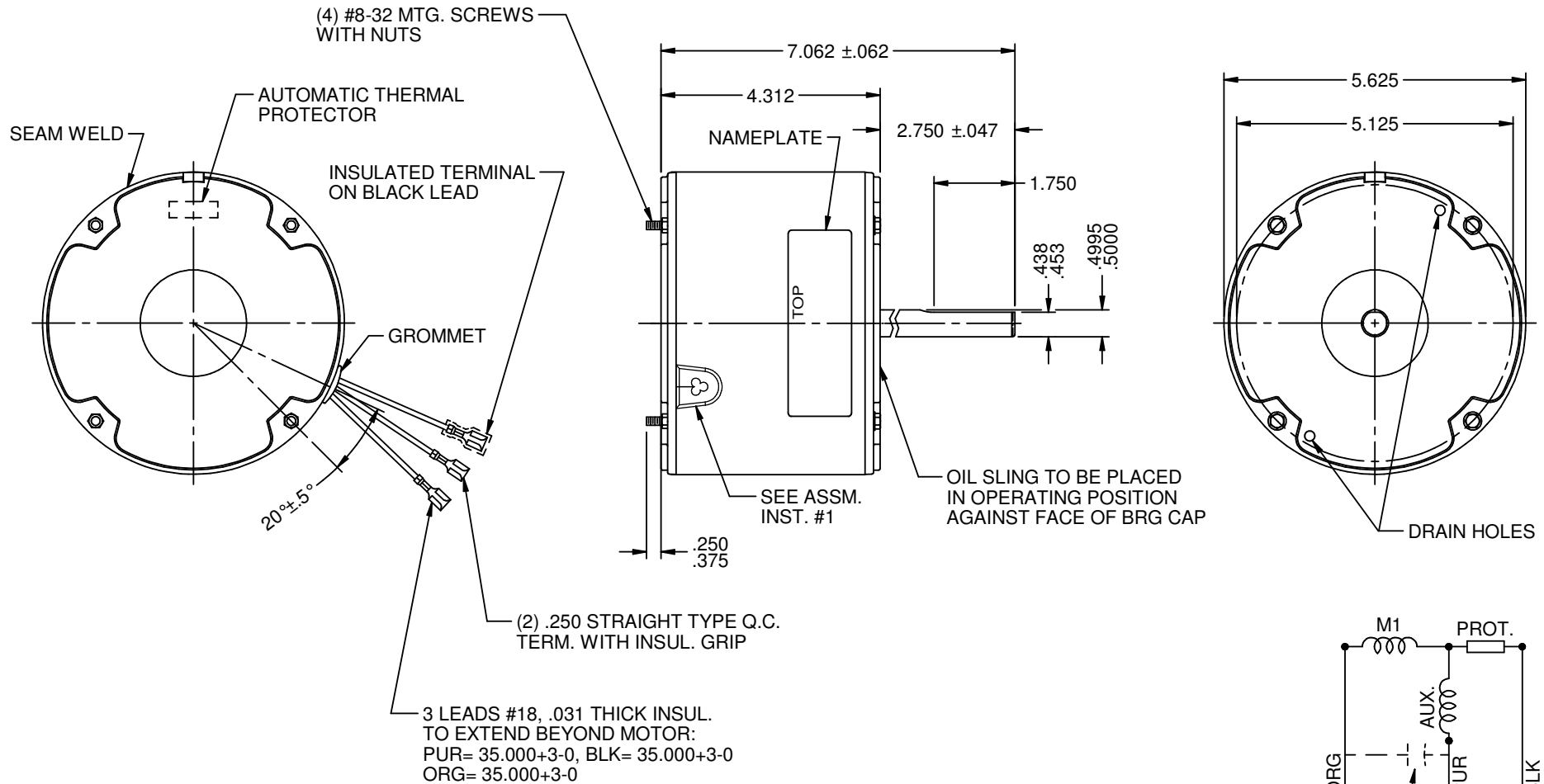


MODEL	REF	CUSTOMER	HP	VOLTS	AMPS	HZ	RPM	ROTATION	CUSTOMER PN	DESCRIPTION / REMARKS
K55HXDUY-1263	A33589	WHOLESALE HAC	1/3	208-230		60	1075	CCW LEAD END	LX7926	



NIDEC MOTOR CORPORATION 05-Jun-17

REFER TO S.E.I.M. 24-1

REVISION RECORD FOR: E28697	
NEW DRAWING.	
ISSUED BY: B. ANDRADE	ENGINEER APPROVED: H. NAVARRO

DIMENSIONS ARE FOR REFERENCE ONLY

UNLESS TOLERANCE IS SPECIFIED

NIDEC MOTOR CORPORATION			
INFORMATION DISCLOSED ON THIS DOCUMENT IS CONSIDERED PROPRIETARY AND SHALL NOT BE REPRODUCED OR DISCLOSED WITHOUT WRITTEN CONSENT OF NIDEC MOTOR CORPORATION			
TITLE		REVISION DATE:	
CUSTOMER DETAIL DRAWING		18-MAY-17	
CODE	ITEM NO.	REV	SHEET NUMBER
V02	815673	-	1 OF 3
		DWG SIZE	B