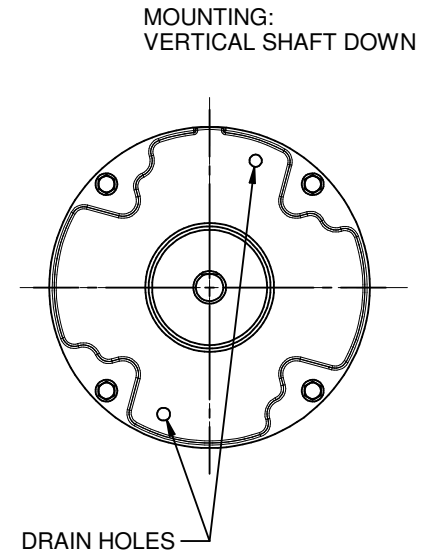
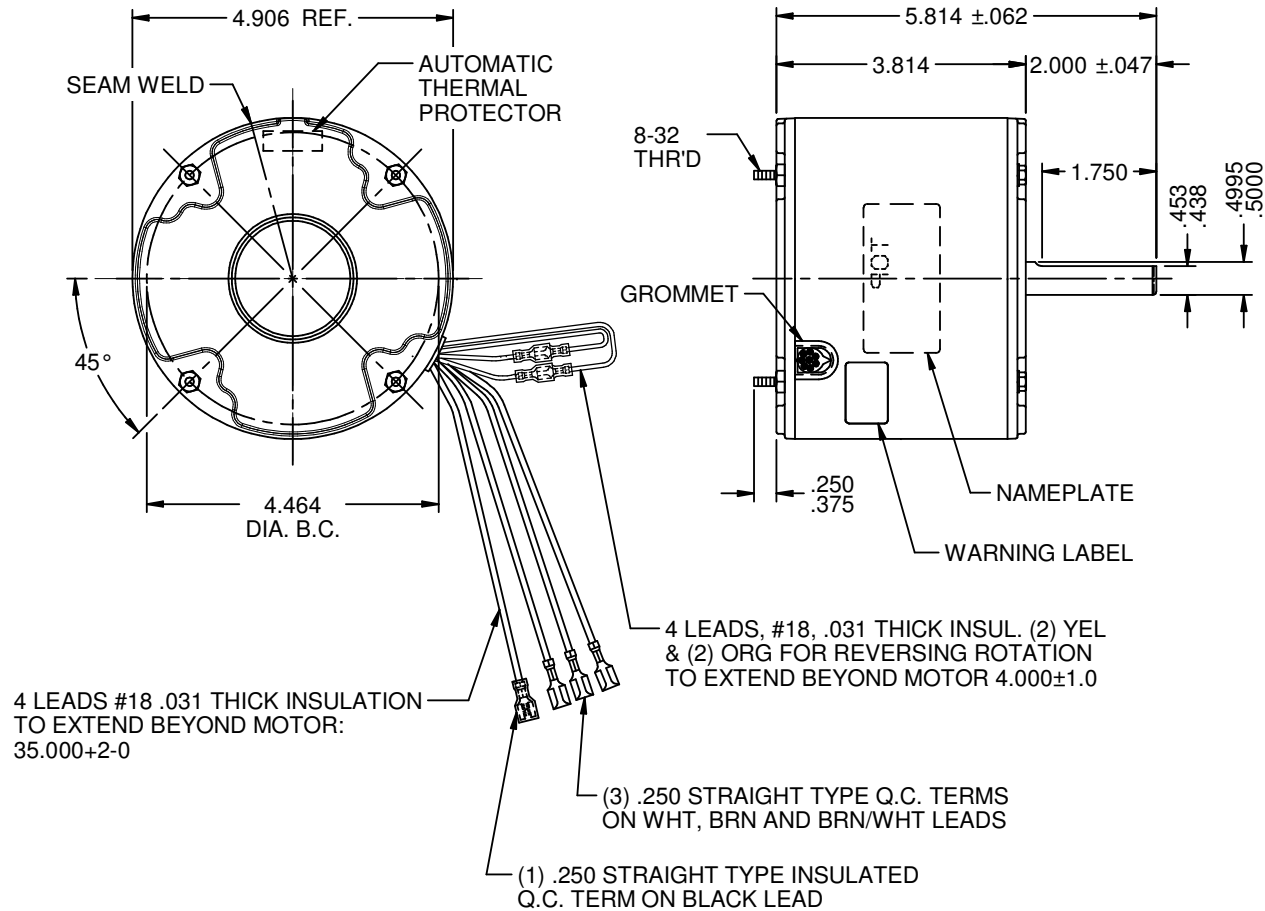
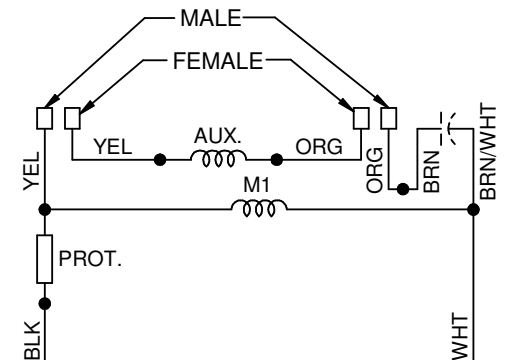


MODEL	REF	CUSTOMER	HP	VOLTS	AMPS	HZ	RPM	ROTATION	CAT. NO.	DESCRIPTION / REMARKS
K48HXWNE-4465		WHOLESALE-HAC	1/6	208-230	1.0	60	1075	CCW LEAD END	1901	



TOTALLY ENCLOSED MOTOR



NIDEC MOTOR CORPORATION 05-Jun-17

REFER TO S.E.I.M. 24-1

REVISION RECORD FOR:		E28697
NEW DRAWING.		
ISSUED BY:	ENGINEER APPROVED:	
B. ANDRADE	H. NAVARRO	

DIMENSIONS ARE FOR REFERENCE ONLY

UNLESS TOLERANCE IS SPECIFIED

**NIDEC MOTOR CORPORATION**

INFORMATION DISCLOSED ON THIS DOCUMENT IS CONSIDERED PROPRIETARY AND SHALL NOT BE REPRODUCED OR DISCLOSED WITHOUT WRITTEN CONSENT OF NIDEC MOTOR CORPORATION

REVISION DATE:  
17-MAY-17

TITLE	CODE	ITEM NO.	REV	SHEET NUMBER	DWG SIZE
CUSTOMER DETAIL DRAWING	V02	815669	-	1 OF 3	B