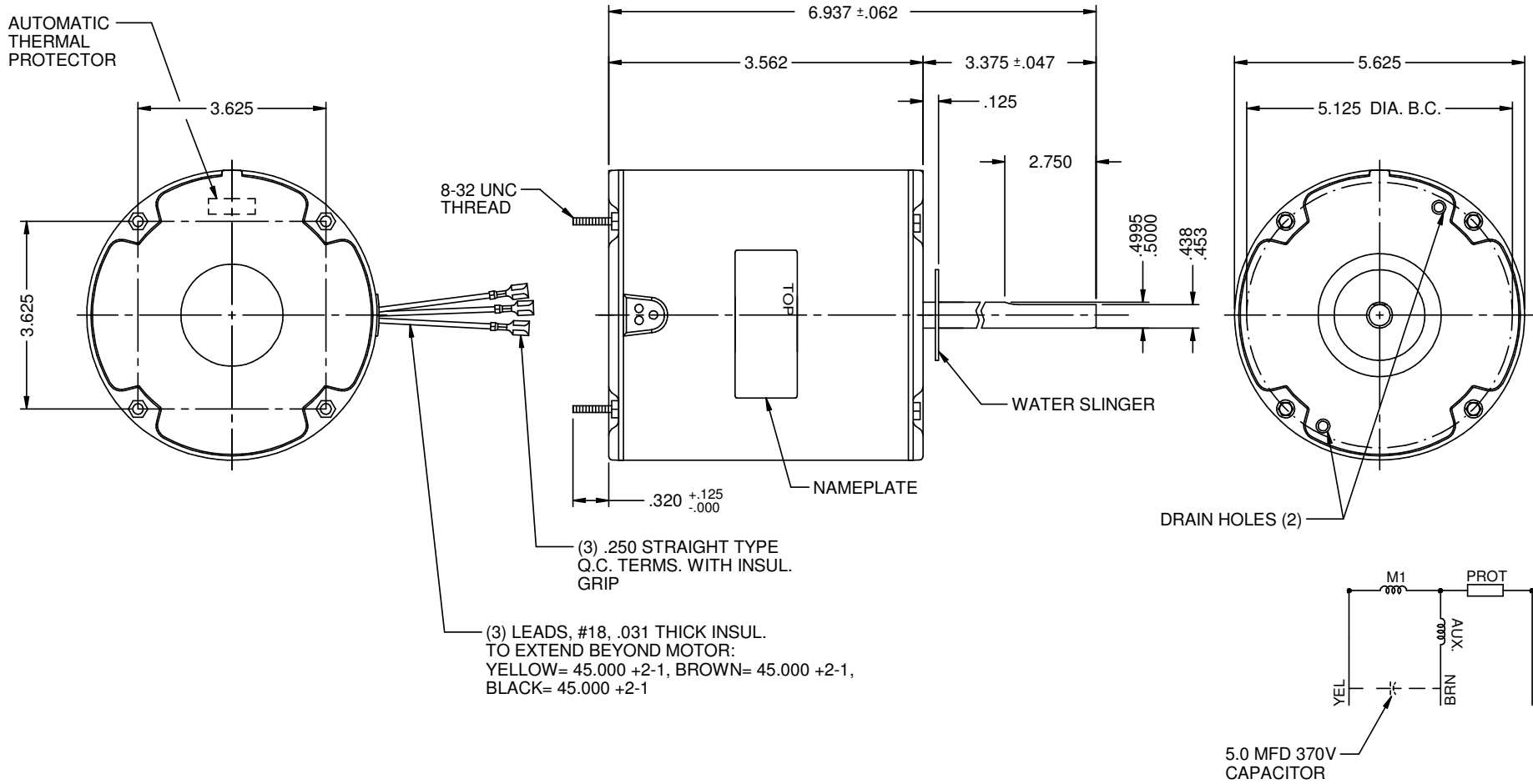


MODEL	REF.	CUSTOMER	HP	VOLTS	AMPS	HZ	RPM	ROTATION	CUSTOMER PART NO.	DESCRIPTION / REMARKS
K55HXKNS-0235	A31855	WHOLESALE HAC	1/15	208-230	1.0	60	1125	CCW LEAD END	CA3411	



NIDEC MOTOR CORPORATION 25-May-17

REFER TO S.E.I.M. 24-1

CREATED DRAWING.	REVISION RECORD FOR: ECO E28698
ISSUED BY: G. MEDINA	ENGINEER APPROVED: H. NAVARRO

DIMENSIONS ARE FOR REFERENCE ONLY  
UNLESS TOLERANCE IS SPECIFIED

<b>NIDEC MOTOR CORPORATION</b>			
INFORMATION DISCLOSED ON THIS DOCUMENT IS CONSIDERED PROPRIETARY AND SHALL NOT BE REPRODUCED OR DISCLOSED WITHOUT WRITTEN CONSENT OF NIDEC MOTOR CORPORATION			
TITLE		CODE	ITEM NO.
CUSTOMER DETAIL DRAWING		V02	815640
REVISION DATE:		REV	SHEET NUMBER
17-MAY-17		-	1 OF 3
		DWG SIZE	B