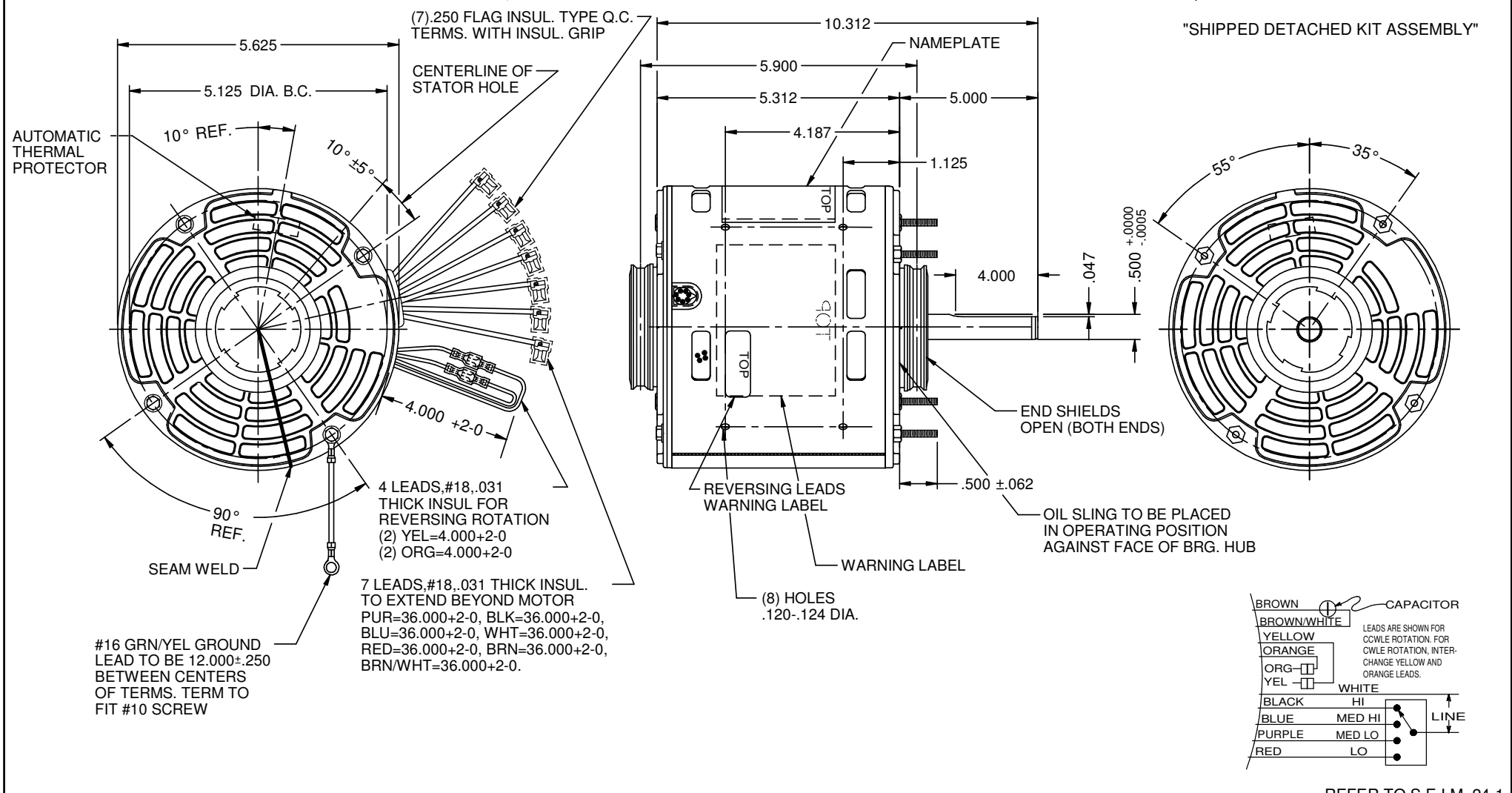


| MODEL | REF | CUSTOMER | HP | VOLTS | AMPS | HZ | RPM | ROTATION | CUSTOMER PT. NO. | DESCRIPTION / REMARKS |
|---------------|-----|---------------|-----------|-------|---------|----|------|------------------|------------------|-----------------------|
| K55HXPND-2848 | | WHOLESALE HAC | 1/2 - 1/6 | 115 | 7.3-2.8 | 60 | 1075 | CCW LEAD END REV | 3314 | K55, HUB, SAB BRG |



NIDEC MOTOR CORPORATION 18-Feb-17

REFER TO S.E.I.M. 24-1

| | | |
|---------------------|----------------------|-----------|
| NEW DRAWING CREATED | REVISION RECORD FOR: | JC: 71503 |
| ISSUED BY: | ENGINEER APPROVED: | |
| F. GARCIA | J. RICE | |

DIMENSIONS ARE FOR REFERENCE ONLY

UNLESS TOLERANCE IS SPECIFIED

| NIDEC MOTOR CORPORATION | | | |
|--|----------|-----|----------------|
| INFORMATION DISCLOSED ON THIS DOCUMENT IS CONSIDERED PROPRIETARY AND SHALL NOT BE REPRODUCED OR DISCLOSED WITHOUT WRITTEN CONSENT OF NIDEC MOTOR CORPORATION | | | REVISION DATE: |
| TITLE | | | 18-FEB-17 |
| CODE | ITEM NO. | REV | SHEET NUMBER |
| V02 | 814572 | -- | 1 OF 3 |
| DWG SIZE | | | B |