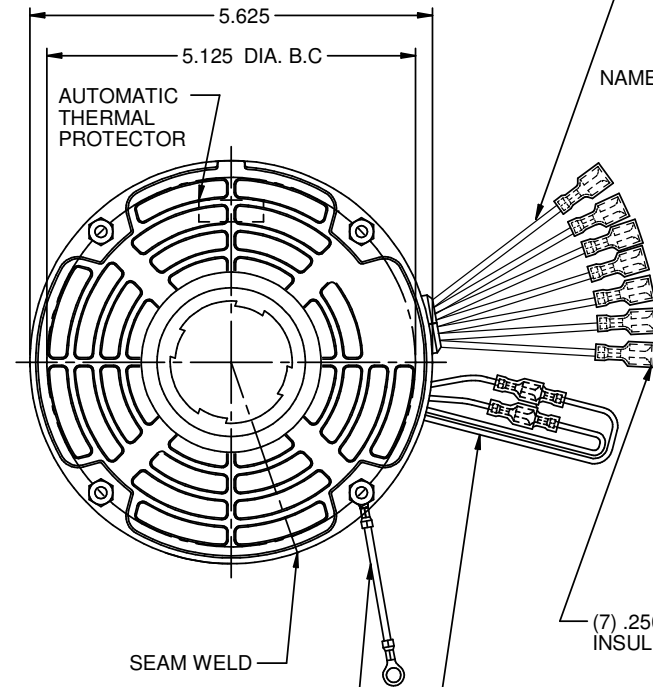


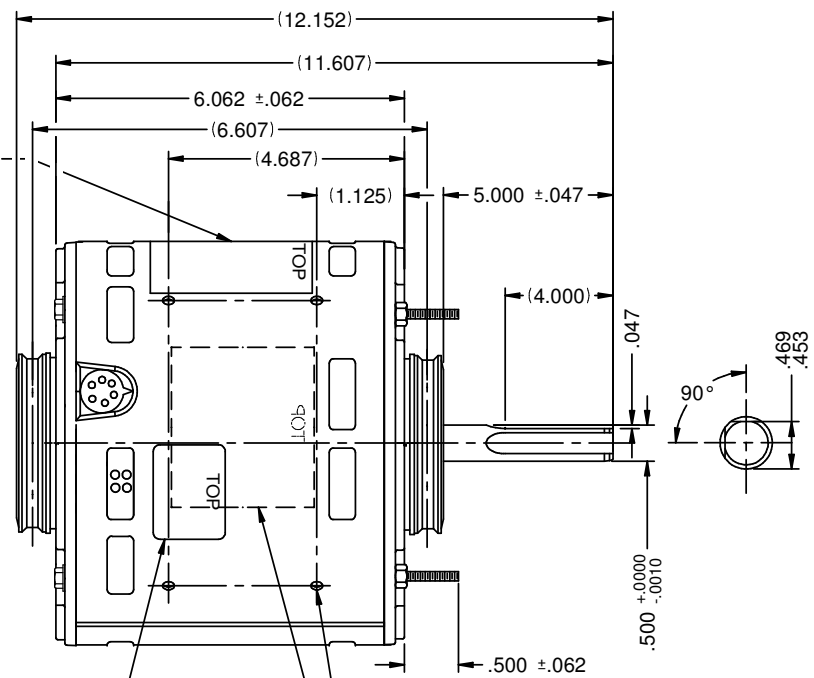
MODEL	REF	CUSTOMER	HP	VOLTS	AMPS	HZ	RPM	ROTATION	CUSTOMER PT. NO.	DESCRIPTION / REMARKS
K55HXPNG-2851		WHOLESALE HAC	3/4 - 1/5	208 - 230	3.8	60	1075	CCW LEAD END REV	3313	K55, HUB, BALL BRG, OPEN

7 LEADS #18, .031 THICK INSUL. TO EXTEND BEYOND MOTOR:
 WHT=36.000+2-0, BLK=36.000+2-0, BLUE=36.000+2-0,
 PUR=36.000+2-0, RED=36.000+2-0, BRN=36.000+2-0,
 BRN/WHT=36.000+2-0.



#16 GRN/YEL GROUND LEAD TO BE 12.000 ±.250 BETWEEN CENTERS OF TERMS. TERMINALS TO FIT #10 SCREW

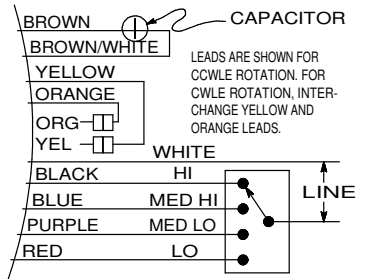
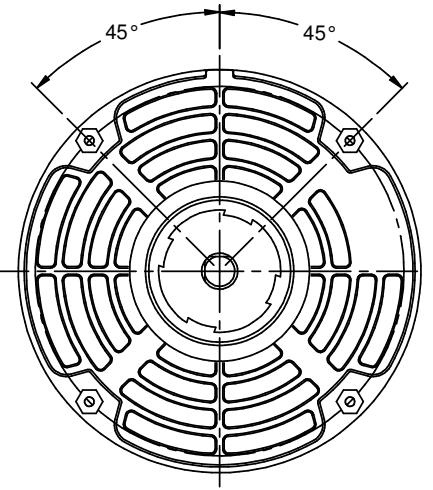
4 LEADS # 18, .031 THICK INSUL. FOR REVERSING ROTATION.
 (2)YEL=4.000+2-0
 (2)ORG=4.000+2-0



REVERSING WARNING LABEL TO BE ADJACENT TO REVERSING LEADS
 WARNING LABEL

(8) HOLES .120 - .124 DIA

"SHIPPED DETACHED KIT ASSEMBLY"



REFER TO S.E.I.M. 24-1

NIDEC MOTOR CORPORATION 18-Feb-17

NEW DRAWING CREATED	REVISION RECORD FOR: JC 71501
ISSUED BY: K. DE LA CERDA	ENGINEER APPROVED: J. RICE

DIMENSIONS ARE FOR REFERENCE ONLY
 UNLESS TOLERANCE IS SPECIFIED

NIDEC MOTOR CORPORATION			
INFORMATION DISCLOSED ON THIS DOCUMENT IS CONSIDERED PROPRIETARY AND SHALL NOT BE REPRODUCED OR DISCLOSED WITHOUT WRITTEN CONSENT OF NIDEC MOTOR CORPORATION			REVISION DATE: 17-FEB-17
TITLE: CUSTOMER DETAIL DRAWING	CODE: V02	ITEM NO.: 814562	REV: --
		SHEET NUMBER: 1 OF 3	DWG SIZE: B