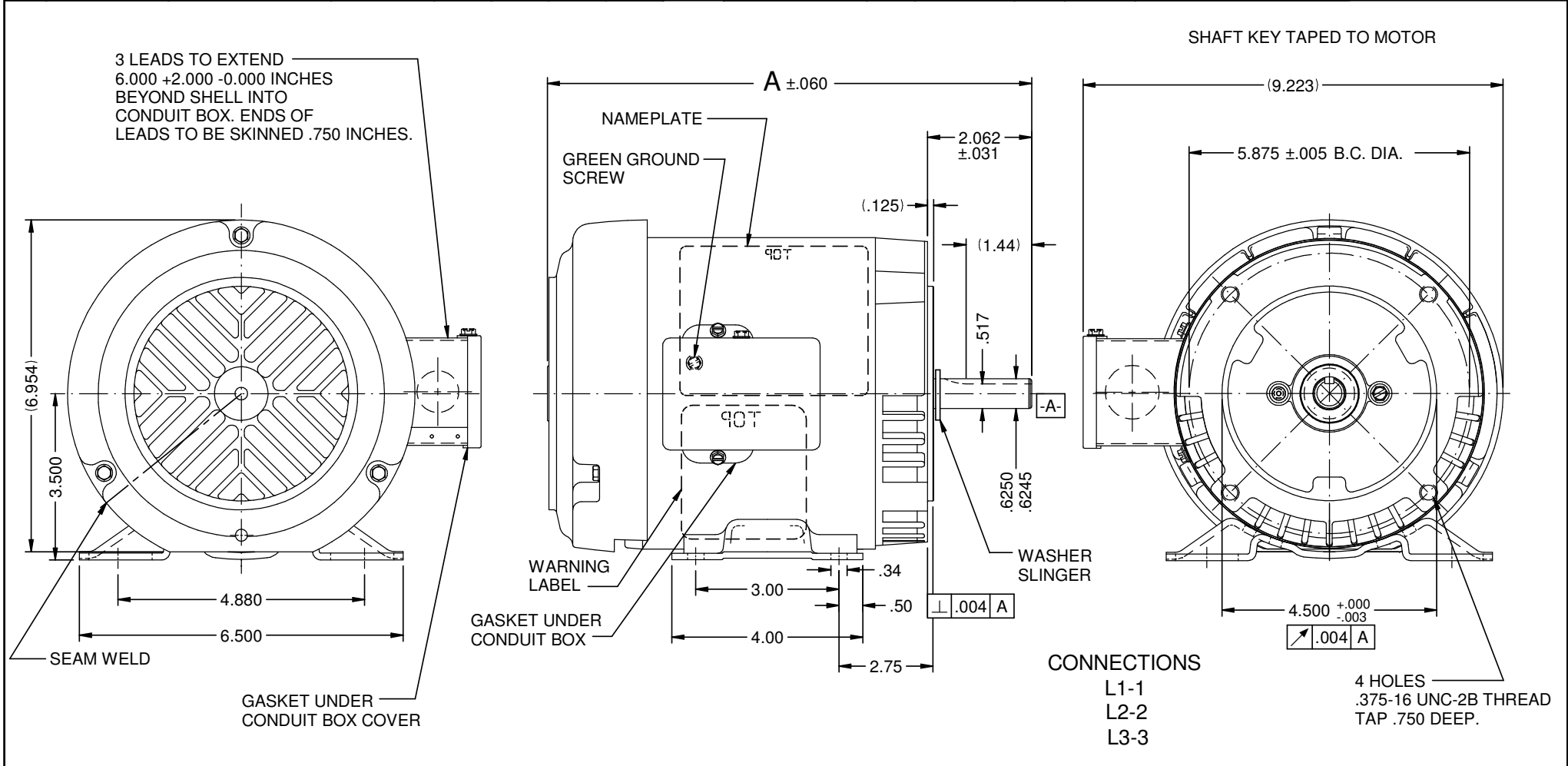


VAR	MODEL	CUSTOMER	CATALOG NO.	A	B	C	D	HP	VOLTS	SF	AMPS	HZ	RPM	DESCRIPTION / REMARKS
001	P63CRD-1461	USEM	U2P2GFC	13.860	-----	-----	-----	2.0	575	1.25	2.5	60	1725	N56C, TEFC, PROTECTOR NONE.



NIDEC MOTOR CORPORATION 22-Feb-16

REVISION RECORD FOR:	JC 70743
NEW DRAWING CREATED	
ISSUED BY:	I. DE LEON
ENGINEER APPROVED:	T. BOSSALLER

TOLERANCES ON DIMENSIONS (UNLESS OTHERWISE SPECIFIED)	
INCHES .XX = ±.010 .XXX = ±.005	mm
ANGLES X° = ±1°	

NIDEC MOTOR CORPORATION			
INFORMATION DISCLOSED ON THIS DOCUMENT IS CONSIDERED PROPRIETARY AND SHALL NOT BE REPRODUCED OR DISCLOSED WITHOUT WRITTEN CONSENT OF NIDEC MOTOR CORPORATION			
TITLE		CODE	ITEM NO.
CUSTOMER DETAIL DRAWING		V02	810096
REVISION DATE:	22-FEB-16	REV	SHEET NUMBER
		--	1 OF 4
			DWG SIZE
			B