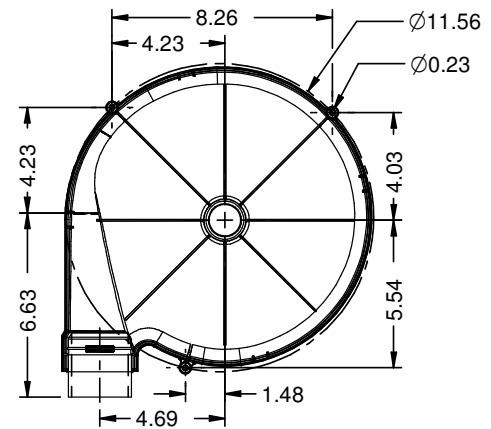
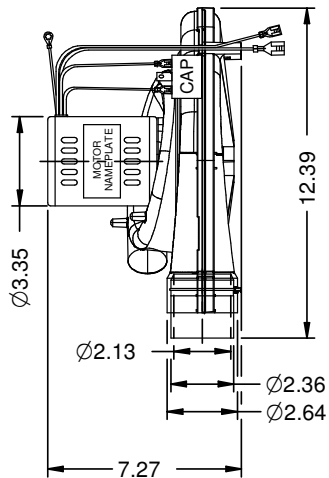
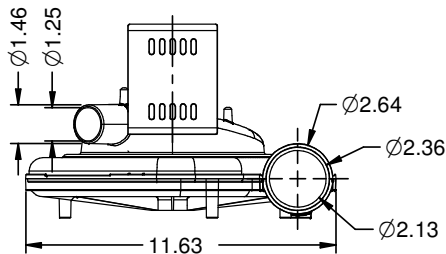
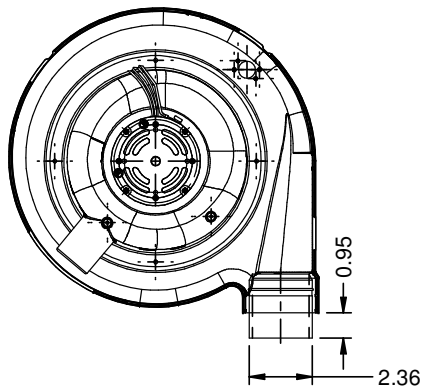
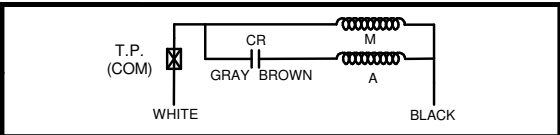


| MODEL | HP | VOLTS | AMPS | ROTATION | DESCRIPTION/REMARKS |
|----------------|------|-------|-------|----------|---------------------|
| B188044210000B | 1/25 | 115V | 0.92A | CCWSE | PALLET QTY 72 |

| BLOWER SPECIFICATIONS | | | |
|-----------------------|------------|------------------|----------------|
| CAT # | N173 | ROTATION | CCWSE |
| HP | 1/25 | BEARING TYPE | BALL BEARING |
| VOLTS | 115V | MOTOR TYPE | PSC |
| HERTZ | 60HZ | PROTECTOR | AUTO |
| SPEEDS | 1 | PHASE | SINGLE |
| AMPS | 0.92A | INSULATION CLASS | B |
| RPM | 3350 | CFM | 64.28@FREE AIR |
| CAPACITOR | 5uF/250VAC | | |



NIDEC MOTOR CORPORATION 08-OCT-15

| | |
|----------------------|----------------------------------|
| CREATED DRAWING | REVISION RECORD FOR: ECO: E24565 |
| ISSUED BY: F. GARCIA | ENGINEER APPROVED: T. BOURQUIN |

| TOLERANCES ON DIMENSIONS (UNLESS OTHERWISE SPECIFIED) | |
|--|----|
| INCHES .XX = ±.010 .XXX = ±.005 | mm |
| ANGLES X° = ±1° | |

| NIDEC MOTOR CORPORATION | | | |
|--|-----------|------------------|--------------------------|
| INFORMATION DISCLOSED ON THIS DOCUMENT IS CONSIDERED PROPRIETARY AND SHALL NOT BE REPRODUCED OR DISCLOSED WITHOUT WRITTEN CONSENT OF NIDEC MOTOR CORPORATION | | | REVISION DATE: 08-OCT-15 |
| TITLE: CUSTOMER DETAIL DRAWING | CODE: V02 | ITEM NO.: 807922 | REV: -- |
| SHEET NUMBER: 1 OF 2 | | DWG SIZE: B | |