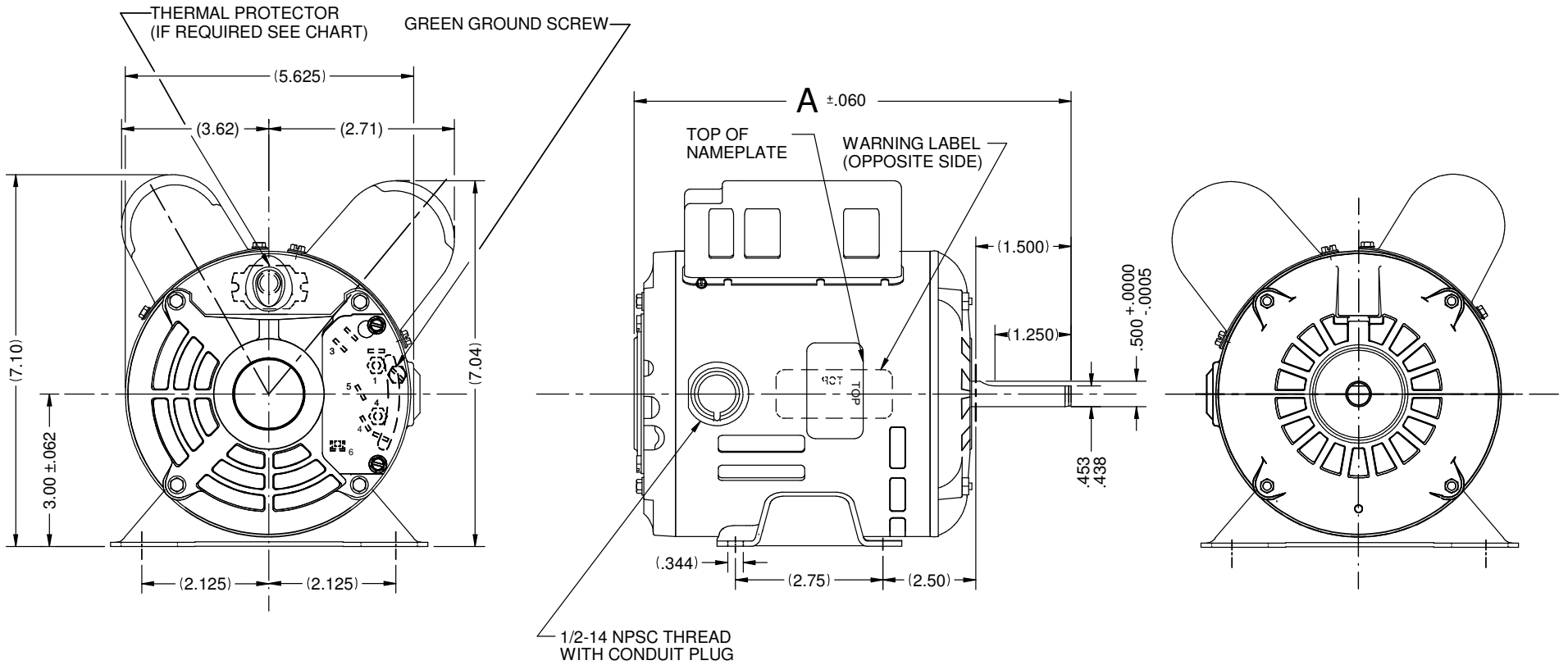


VAR	MODEL	CUSTOMER	CAT. NO.	A	B	C	D	HP	VOLTS	SF	AMPS	HZ	RPM	CONN VOLTS	PROT.	DESCRIPTION / REMARKS
001	T55JXCRV-1548	USEM	D13CPA1P4	9.10	-----	-----	-----	1/3	115/230	1.35	3.7/1.8	60	3450	-----	AUTO	N48, ODP



NIDEC MOTOR CORPORATION 14-Jun-18

MOTOR IS CCW ROTATION LEAD END, TO REVERSE ROTATION INTERCHANGE RED AND BLACK LEADS

REFER TO S.E.I.M. 24-1

REVISION RECORD FOR: ECO E31514 UPDATE THE CAPACITOR NOTES, THE RUN AND START CAPACITOR LABELS NEED TO BE SWITCHED IN PAGES 3 & 4		TOLERANCES ON DIMENSIONS (UNLESS OTHERWISE SPECIFIED) INCHES .XX = ± .010 .XXX = ± .005 ANGLES X° = ± 1°		NIDEC MOTOR CORPORATION INFORMATION DISCLOSED ON THIS DOCUMENT IS CONSIDERED PROPRIETARY AND SHALL NOT BE REPRODUCED OR DISCLOSED WITHOUT WRITTEN CONSENT OF NIDEC MOTOR CORPORATION			REVISION DATE: 14-JUN-18		
ISSUED BY: J. ALVARADO	ENGINEER APPROVED: T. BOSSALLER	TITLE: CUSTOMER DETAIL DRAWING		CODE: V02	ITEM NO.: 805327	REV: A	SHEET NUMBER: 1 OF 4	DWG SIZE: B	