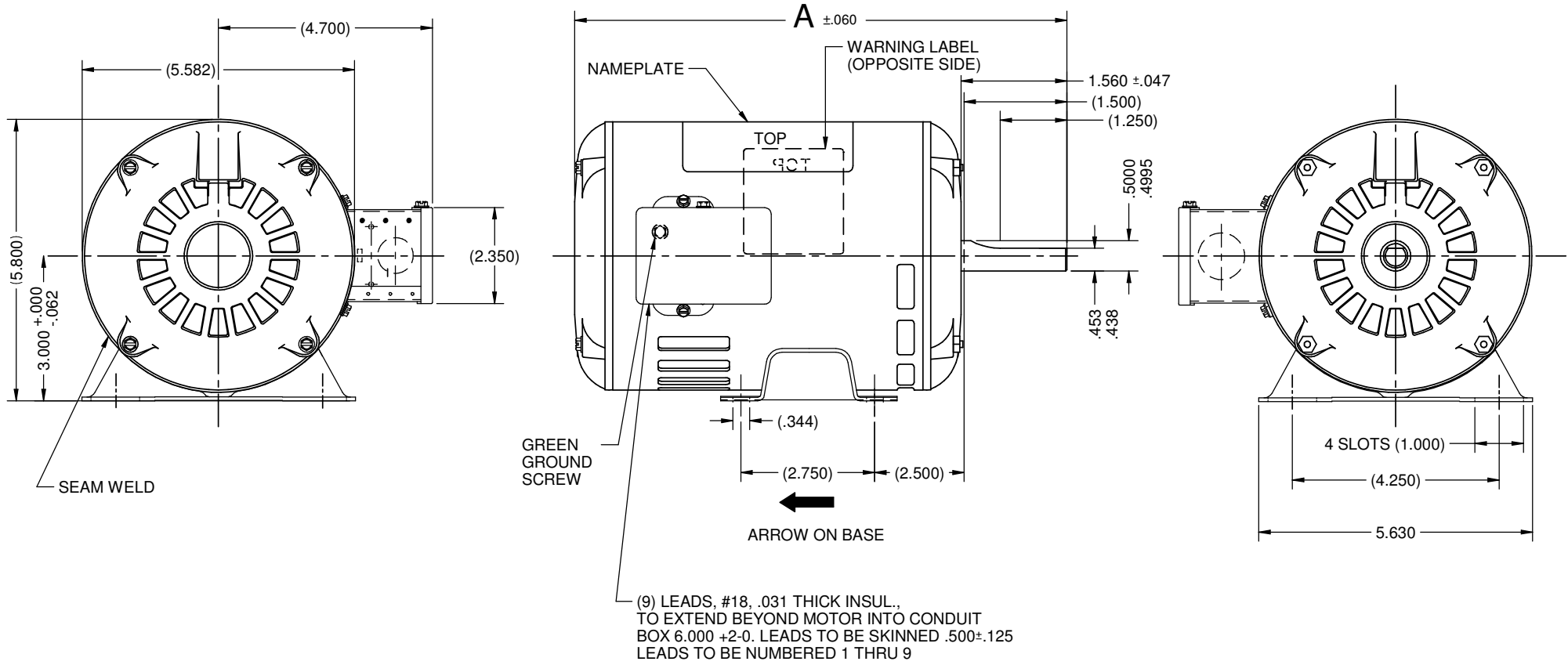


| VAR | MODEL | CUSTOMER | CAT. NO. | A | B | C | D | HP | VOLTS | SF | AMPS | HZ | RPM | CONN VOLTS | PROTECTOR | DESCRIPTION / REMARKS |
|-----|-------------|----------|----------|-------|---|---|---|-----|-------------|------|-----------|----|------|------------|-----------|-----------------------|
| 001 | P55DHS-1586 | USEM | D14P2B4 | 9.560 | | | | 1/4 | 208-230/460 | 1.35 | 1.3-1.3/7 | 60 | 1725 | ----- | NONE | N48, ODP |
| | | | | | | | | | | | | | | | | |



ROTATION - REVERSIBLE

REFER TO S.E.I.M. 24-1

| | | | | | | | | | | |
|--|---------------------------------|---|--|--|--|----|--|--------------------------------|--|-----------|
| NIDEC MOTOR CORPORATION 02-Jul-15 | | REVISION RECORD FOR: ECO: E23270 | | NIDEC MOTOR CORPORATION INFORMATION DISCLOSED ON THIS DOCUMENT IS CONSIDERED PROPRIETARY AND SHALL NOT BE REPRODUCED OR DISCLOSED WITHOUT WRITTEN CONSENT OF NIDEC MOTOR CORPORATION | | | | REVISION DATE: 03-JUL-15 | | |
| UPDATED REQ. CRITICAL IN PAGE 3 AND 4. | | | | | | | | TITLE: CUSTOMER DETAIL DRAWING | | CODE: V02 |
| ISSUED BY: F. GARCIA | ENGINEER APPROVED: S. SCHINZING | TOLERANCES ON DIMENSIONS (UNLESS OTHERWISE SPECIFIED) | | INCHES: .XX = ±.010, .XXX = ±.005 | | mm | | ANGLES X° = ±1° | | |