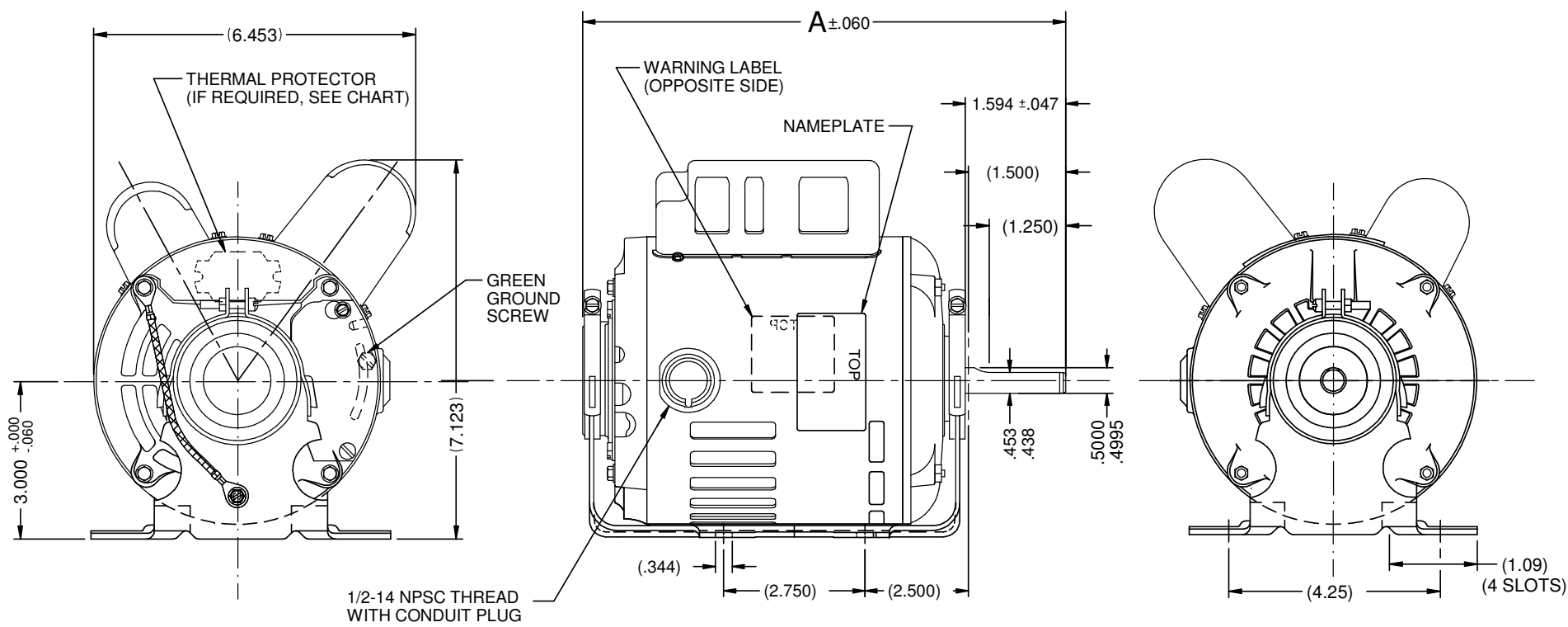


| VAR | MODEL | CUSTOMER | CAT. NO. | A | B | C | D | HP | VOLTS | SF | AMPS | HZ | RPM | CONN VOLTS | PROT | DESCRIPTION / REMARKS |
|-----|---------------|----------|------------|------|------|------|------|-----|---------|------|---------|----|------|------------|------|-----------------------|
| 001 | T55CPK-1516 | USEM | D12CP2P49 | 9.94 | ---- | ---- | ---- | 1/2 | 115/230 | 1.25 | 5.0/2.6 | 60 | 1725 | 230 | NONE | N48, ODP |
| 002 | T55JXCPZ-1529 | USEM | D12CPA2P49 | 9.94 | ---- | ---- | ---- | 1/2 | 115/230 | 1.25 | 5.0/2.6 | 60 | 1725 | 230 | AUTO | N48, ODP |
| | | | | | | | | | | | | | | | | |
| | | | | | | | | | | | | | | | | |
| | | | | | | | | | | | | | | | | |
| | | | | | | | | | | | | | | | | |
| | | | | | | | | | | | | | | | | |
| | | | | | | | | | | | | | | | | |
| | | | | | | | | | | | | | | | | |

REV
E



NIDEC MOTOR CORPORATION 03-Feb-16 MOTOR IS CCW LEAD END, TO REVERSE ROTATION INTERCHANGE BLUE WITH WHITE AND ORANGE WITH YELLOW LEADS REFER TO S.E.I.M. 24-1

| | | | | | | | | | | |
|---|--|--|----|---|--|--------------------|---------------------------|------------------------------------|------------------------|----------------------|
| REVISION RECORD FOR: ECO: E24810 CHANGE AMPERES IN VAR 001 & 002 FROM "6.4/3.2" TO "5.0/2.6" | | TOLERANCES ON DIMENSIONS (UNLESS OTHERWISE SPECIFIED) | | NIDEC MOTOR CORPORATION | | | | REVISION DATE: 03-FEB-16 | | |
| ISSUED BY: F. GARCIA ENGINEER APPROVED: M. SCHUETTE | | INCHES .XX = ±.010 .XXX = ±.005 | mm | INFORMATION DISCLOSED ON THIS DOCUMENT IS CONSIDERED PROPRIETARY AND SHALL NOT BE REPRODUCED OR DISCLOSED WITHOUT WRITTEN CONSENT OF NIDEC MOTOR CORPORATION | | | | REV E | SHEET NUMBER 1 OF 4 | DWG SIZE B |
| | | ANGLES X° = ±1° | | TITLE CUSTOMER DETAIL DRAWING | | CODE V02 | ITEM NO. 803227 | | | |