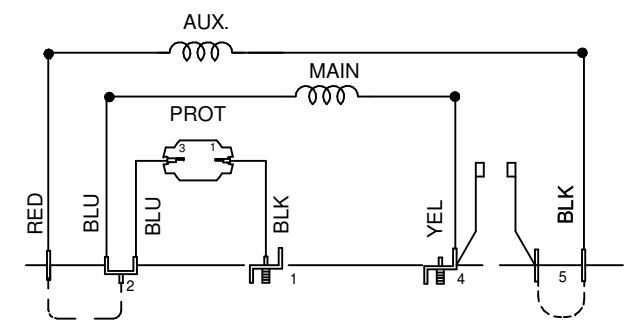
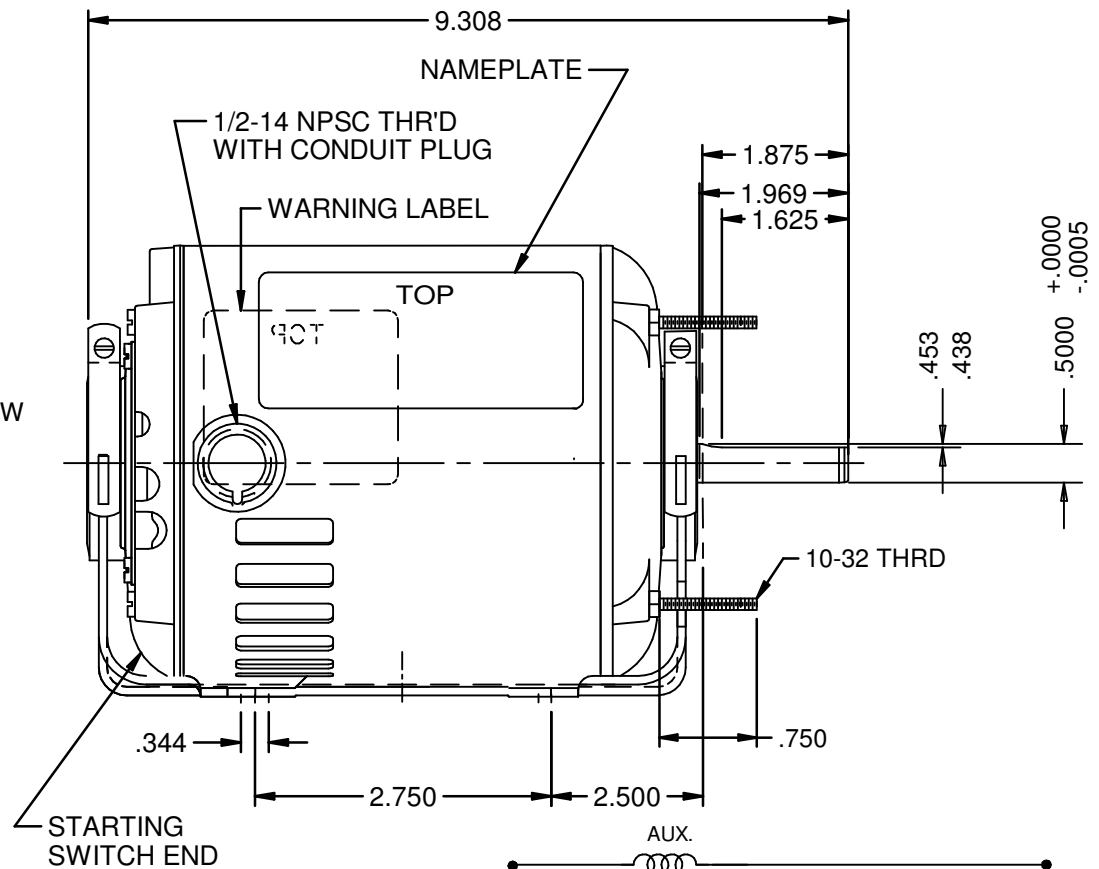


GRN.
GRD.
SCREW



NIDEC MOTOR CORPORATION 24-Nov-14

MODEL	REF	CUSTOMER	HP	VOLTS	AMPS	HZ	RPM	ROTATION	CUSTOMER PN
S55JXGYV-8432		WHOLESALE	1/6	115	4.2	60	1725	CW/CCW	D16BA2N4Z9

SHEET NUMBER	REV	REVISION RECORD FOR:
1 OF 1	--	JC 69365
		CREATED DRAWING.
REVISION DATE		
08-DEC-14		

INFORMATION DISCLOSED ON THIS DOCUMENT IS CONSIDERED PROPRIETARY AND SHALL NOT BE REPRODUCED OR DISCLOSED WITHOUT WRITTEN CONSENT OF NIDEC MOTOR CORPORATION

NIDEC MOTOR CORPORATION

ISSUED BY	REVIEWED BY	ENGINEER APPROVED
G. ISASSI	M. GUZMAN	M. GUZMAN

TITLE	CODE	ITEM NO.	SIZE
ASSEMBLED VIEW	V01	803334	A