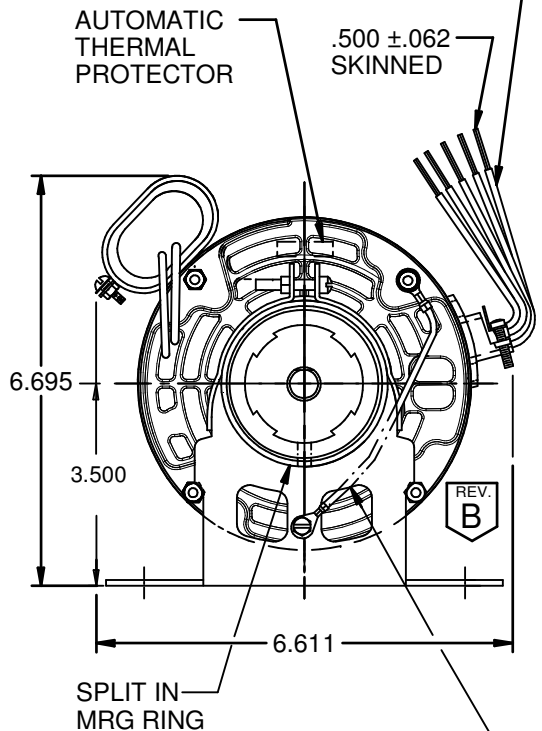
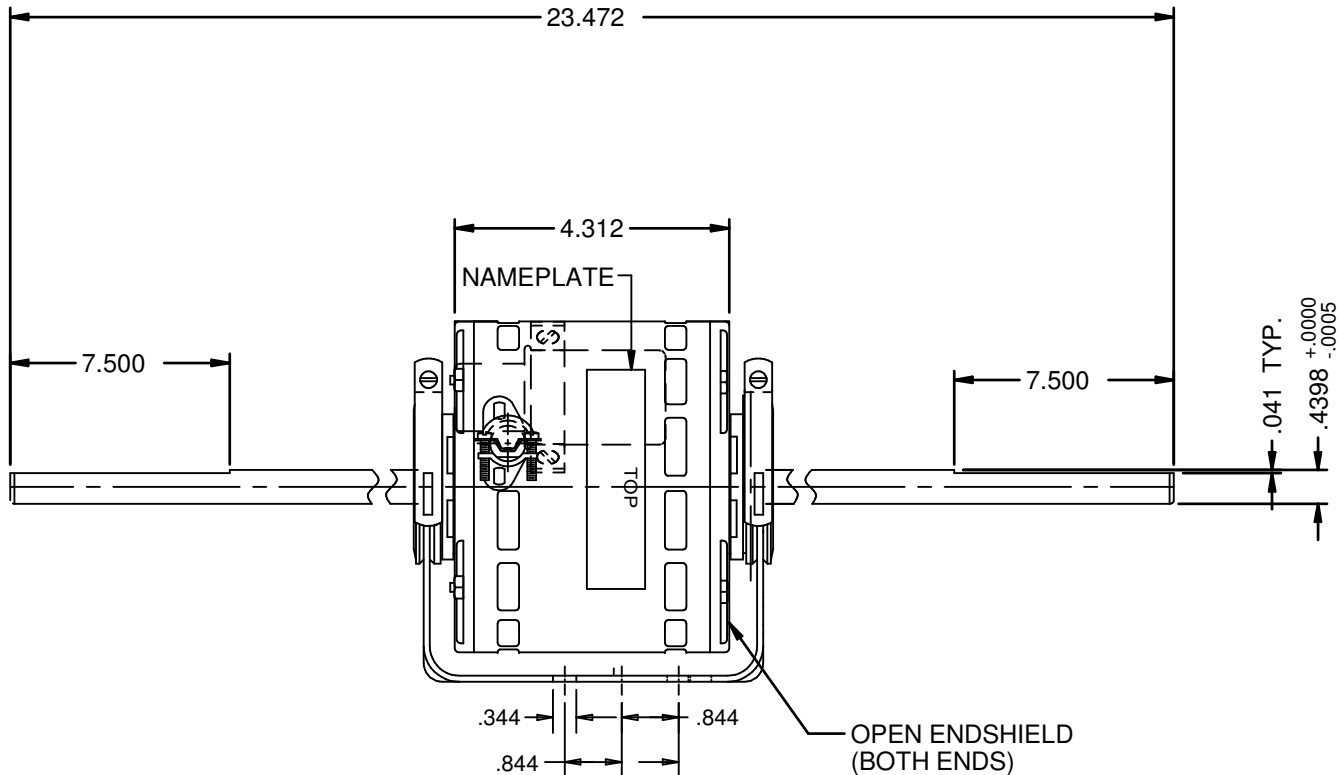


5 LEADS #18, .031 THICK INSUL.
 TO EXTEND BEYOND MOTOR:
 YELLOW=36.000 +3 -0
 RED=36.000 +3 -0
 BLACK=36.000 +3 -0
 BLUE=36.000 +3-0
 ORANGE=36.000 +3-0



#16 GREEN GROUND LEAD TO BE
 6.000±.250 BETWEEN CENTERS OF
 TERMS. TERM. TO FIT #10 SCREW



NIDEC MOTOR CORPORATION 14-Nov-17

MODEL	REF	CUSTOMER	HP	VOLTS	AMPS	HZ	RPM	ROTATION	CUSTOMER PN
K48HXNDB-1156	A26628	WHOLESALE - HAC	1/4	208-230	1.2	60	1625/4 SPD	CCW. LEAD END	1381

SHEET NUMBER	REV	REVISION RECORD FOR: ECO: E29762	
1 OF 1	B	CHANGE DRAWING TO SHOW THAT THE GROUND WIRE IS ROUTED FROM INSIDE THE BASE	
REVISION DATE			
15-NOV-17			
ISSUED BY		REVIEWED BY	ENGINEER APPROVED
J. ALVARADO		R. CRUZ	H. O. NAVARRO

INFORMATION DISCLOSED ON THIS DOCUMENT IS CONSIDERED PROPRIETARY AND SHALL NOT BE REPRODUCED OR DISCLOSED WITHOUT WRITTEN CONSENT OF NIDEC MOTOR CORPORATION

ALL DIMENSIONS ARE FOR REFERENCE ONLY UNLESS TOLERANCE IS GIVEN

TITLE	CODE	ITEM NO.	SIZE
ASSEMBLED VIEW	V01	802970	A

NIDEC MOTOR CORPORATION	
ITEM NO.	802970
SIZE	A