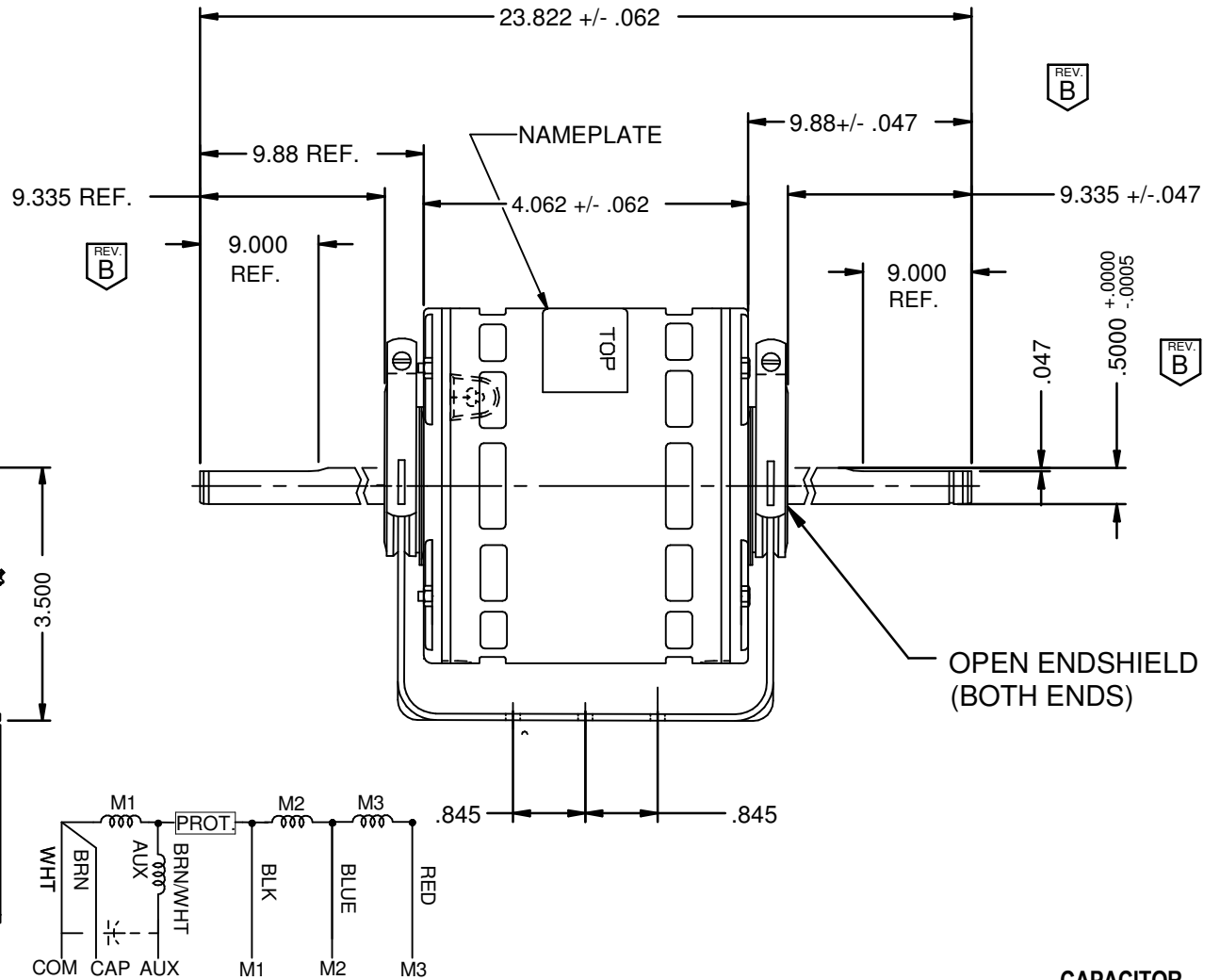
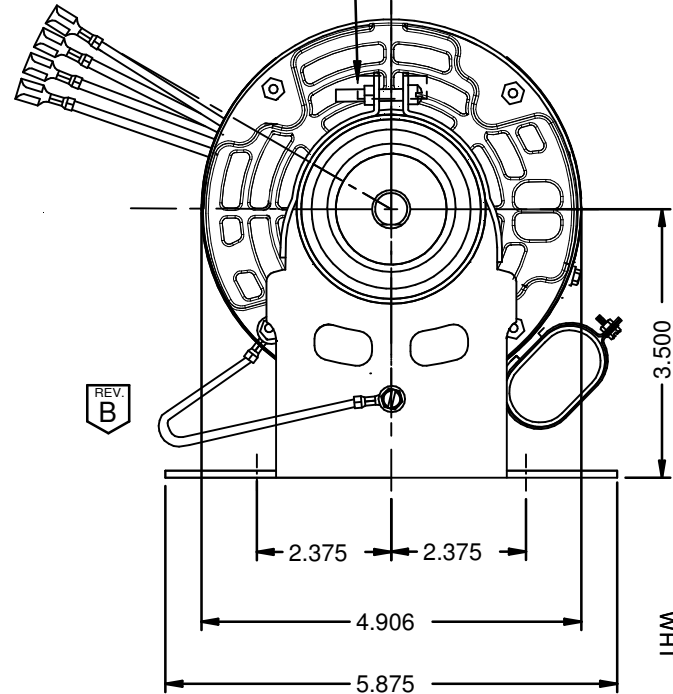


AUTOMATIC THERMAL PROTECTOR



CAPACITOR
5 MFD 370 VAC

NIDEC MOTOR CORPORATION 03-Mar-16

MODEL	REF	CUSTOMER	HP	VOLTS	AMPS	HZ	RPM	ROTATION	CAT. NO.
K48HXZM-1144	D38210-X2	WHOLESALE - HAC	1/5	208-230	1.2	60	1625/3 SPD	CCW. LEAD END	1353

SHEET NUMBER	REV	REVISION RECORD FOR: ECO-E25466
1 OF 1	B	UPDATED DIMENSION ON DRAWING
REVISION DATE		
13-APR-16		

INFORMATION DISCLOSED ON THIS DOCUMENT IS CONSIDERED PROPRIETARY AND SHALL NOT BE REPRODUCED OR DISCLOSED WITHOUT WRITTEN CONSENT OF NIDEC MOTOR CORPORATION

ALL DIMENSIONS ARE FOR REFERENCE ONLY UNLESS TOLERANCE IS GIVEN

NIDEC MOTOR CORPORATION		TITLE	CODE	ITEM NO.	SIZE
		ASSEMBLED VIEW	V01	800870	A

ISSUED BY C. ALMAGUER	REVIEWED BY B. GAITAN	ENGINEER APPROVED B. GAITAN
---------------------------------	---------------------------------	---------------------------------------