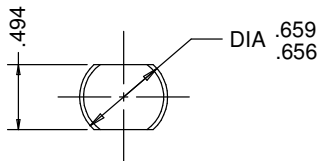
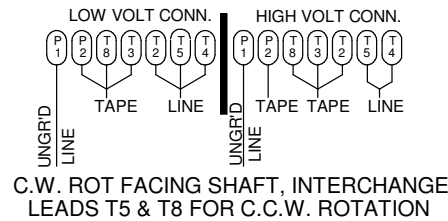
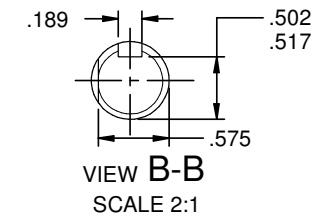
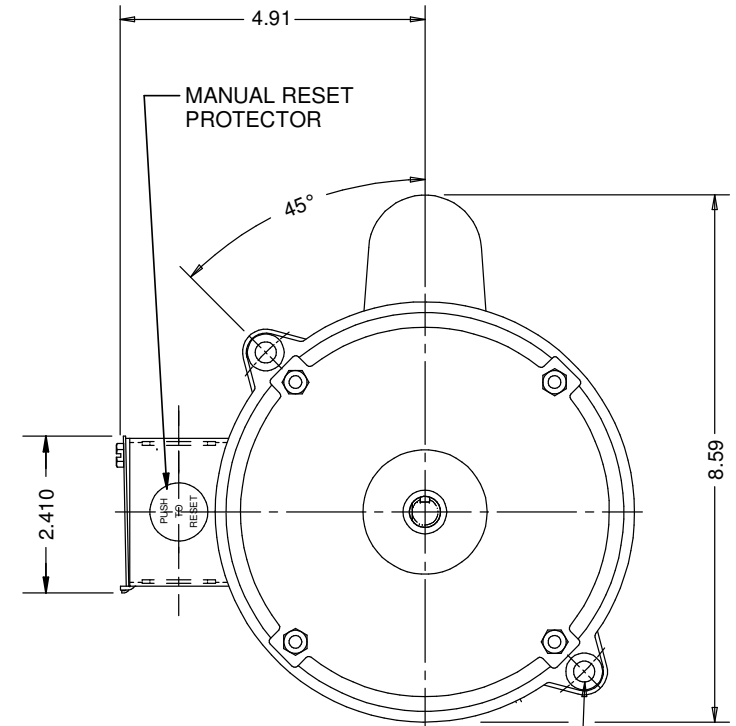
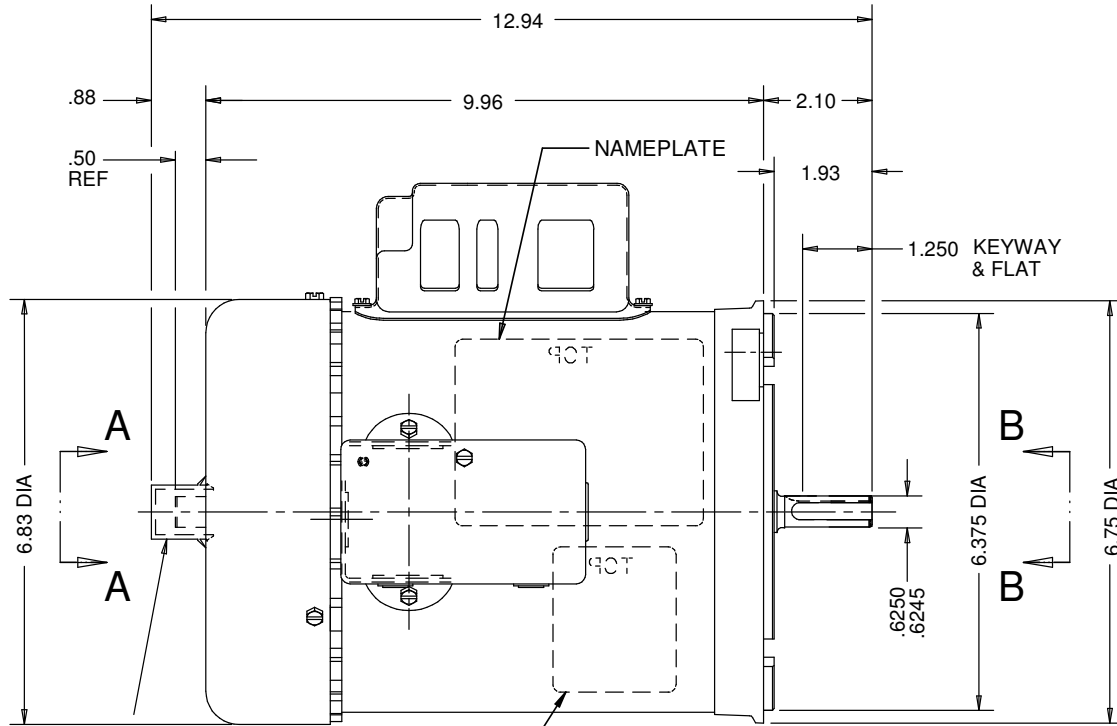


SHAFT KEY TAPED TO MOTOR



MODEL	REF	CUSTOMER	HP	VOLTS	AMPS	HZ	RPM	ROTATION	CUSTOMER PN		
C63BXGJH-1266	--	USEM	3/4	115/230	10.6/5.3 & 11.8/5.9	60&50	1725&1425	REVERSIBLE	1801		
SHEET NUMBER: 1 OF 1 REV: C REVISION RECORD FOR: D1571-00 UPDATED HZ AND RPM REVISION DATE: 18-JUL-14 ISSUED BY: F. MARTINEZ REVIEWED BY: J. I. SALAZAR ENGINEER APPROVED: C. ROESSLER											
INFORMATION DISCLOSED ON THIS DOCUMENT IS CONSIDERED PROPRIETARY AND SHALL NOT BE REPRODUCED OR DISCLOSED WITHOUT WRITTEN CONSENT OF NIDEC MOTOR CORPORATION								<b>NIDEC MOTOR CORPORATION</b>			
ALL DIMENSIONS ARE FOR REFERENCE ONLY UNLESS TOLERANCE IS GIVEN								TITLE: ASSEMBLED VIEW	CODE: V01	ITEM NO.: 800055	SIZE: B