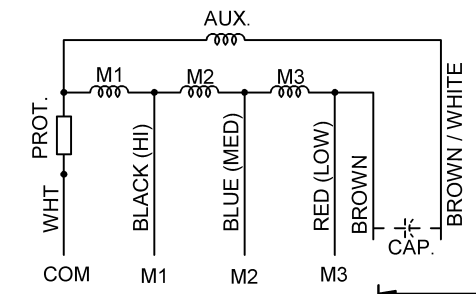
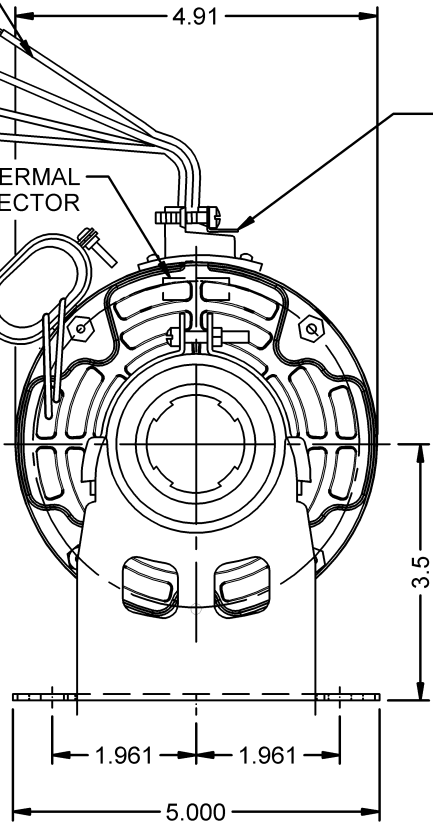


4 LEADS #18, 2/64 THICK INSUL. TO EXTEND 48" ±1.5 BEYOND MOTOR: (FOR COLOR SEE SCHEMATIC)

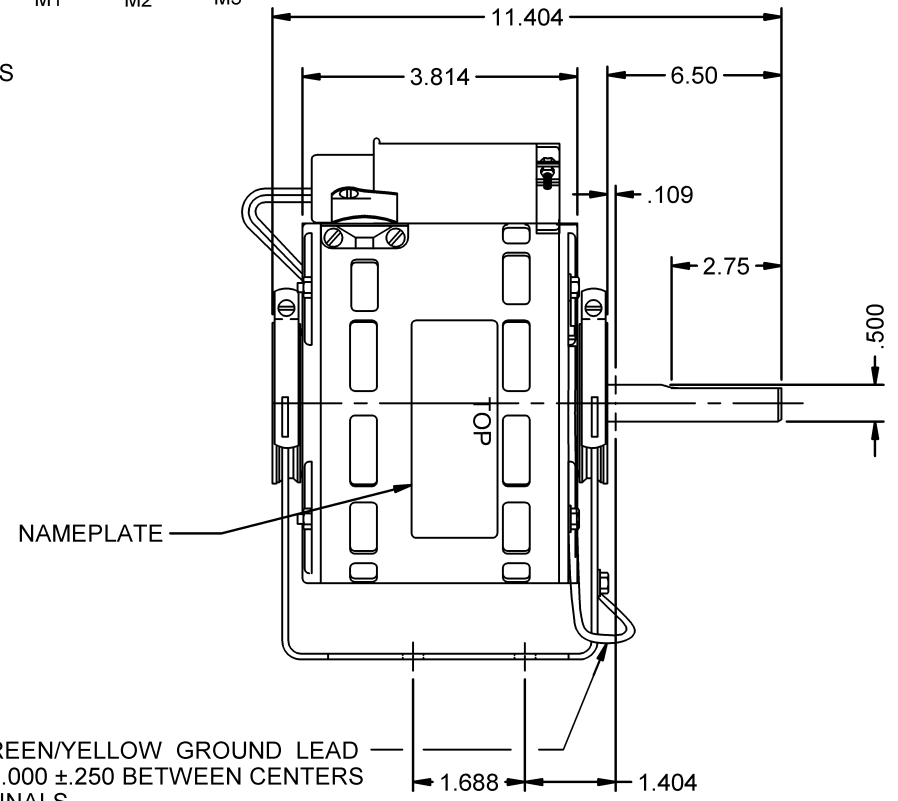
.500 ±.062 SKINNED

AUTOMATIC THERMAL PROTECTOR

ALLEN-STEVENS FLANGED CONNECTOR 158



USE WITH A 3 MFD/370 VAC CAPACITOR



#16 GREEN/YELLOW GROUND LEAD TO BE 6.000 ±.250 BETWEEN CENTERS OF TERMINALS.

REV. B

NIDEC MOTOR CORPORATION 07-Aug-14

MODEL	REF	CUSTOMER	HP	VOLTS	AMPS	HZ	RPM	ROTATION	CUSTOMER PN	
K48HXFKE-1192	C35383	WHOESLAE-HAC	1/30	115-127	.7	60	1600/3 SPD	CCW LEAD END	1269	
SHEET NUMBER 1 OF 1	REV B	REVISION RECORD FOR: D1674-00			INFORMATION DISCLOSED ON THIS DOCUMENT IS CONSIDERED PROPRIETARY AND SHALL NOT BE REPRODUCED OR DISCLOSED WITHOUT WRITTEN CONSENT OF NIDEC MOTOR CORPORATION				NIDEC MOTOR CORPORATION	
REVISION DATE	CHANGED AMPS WAS .51									
07-AUG-14										
ISSUED BY B. ANDRADE	REVIEWED BY B. GAITAN	ENGINEER APPROVED B. GAITAN	TITLE ASSEMBLED VIEW				CODE V01	ITEM NO. 796403	SIZE A	