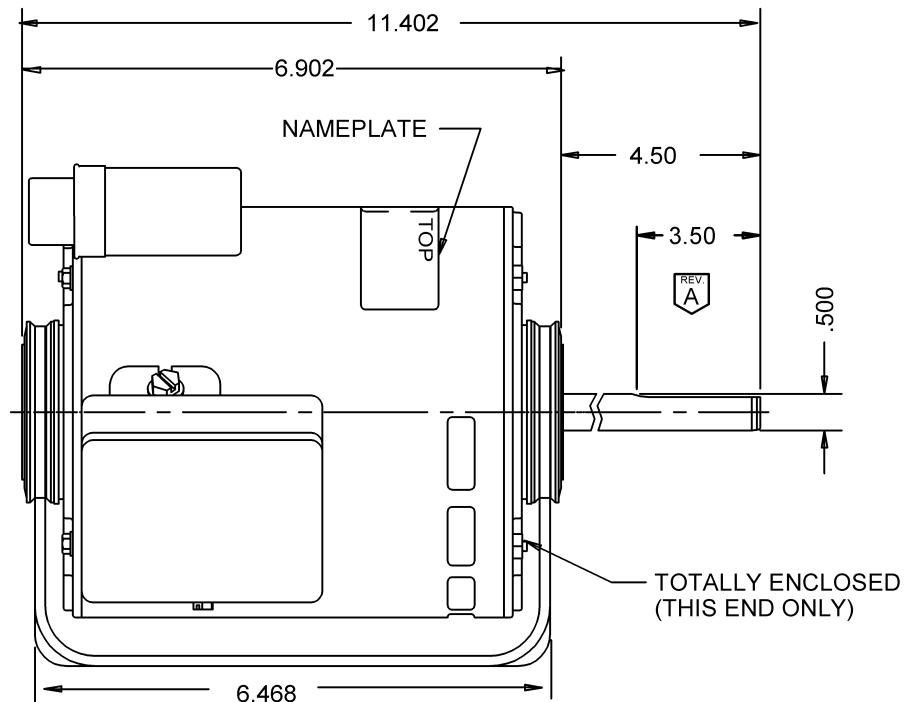
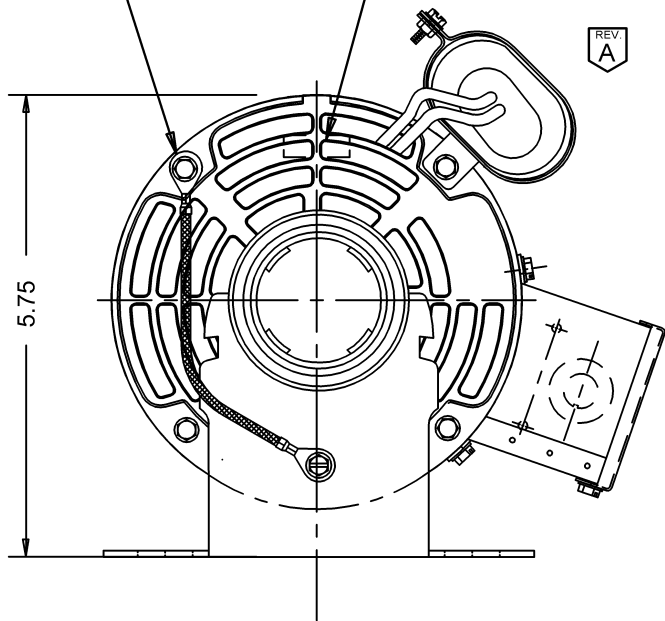


#16 GREEN GROUND LEAD
TO BE 6.000±.250 BETWEEN
CENTER OF TERMS.
TERM. TO FIT #10 SCREW
GROUNDED TO BASE

AUTOMATIC THERMAL
PROTECTOR



NIDEC MOTOR CORPORATION 03-Jun-13

MODEL	REF	CUSTOMER	HP	VOLTS	AMPS	HZ	RPM	ROTATION	CUSTOMER PN
K55HXPNV-1566	D35978	WHOLESALE-HAC	1/2	208-230/460	2.8/1.5	60	1100	CCW LEAD END REV	4941

SHEET NUMBER	REV	REVISION RECORD FOR: C7737-00	
1 OF 1	A	CHANGED POSITION OF CLAMP AND SCREW.	
		ADDED DIMENSION OF 3.50.	
REVISION DATE			
03-JUN-13			
ISSUED BY	REVIEWED BY	ENGINEER APPROVED	
E. VICENCIO	A. WIEGMANN	B. GAITAN	

INFORMATION DISCLOSED ON THIS DOCUMENT
IS CONSIDERED PROPRIETARY AND SHALL NOT BE
REPRODUCED OR DISCLOSED WITHOUT WRITTEN
CONSENT OF NIDEC MOTOR CORPORATION

**NIDEC MOTOR
CORPORATION**

ALL DIMENSIONS ARE FOR REFERENCE ONLY UNLESS TOLERANCE IS GIVEN

TITLE	CODE	ITEM NO.	SIZE
ASSEMBLED VIEW	V01	795581	A