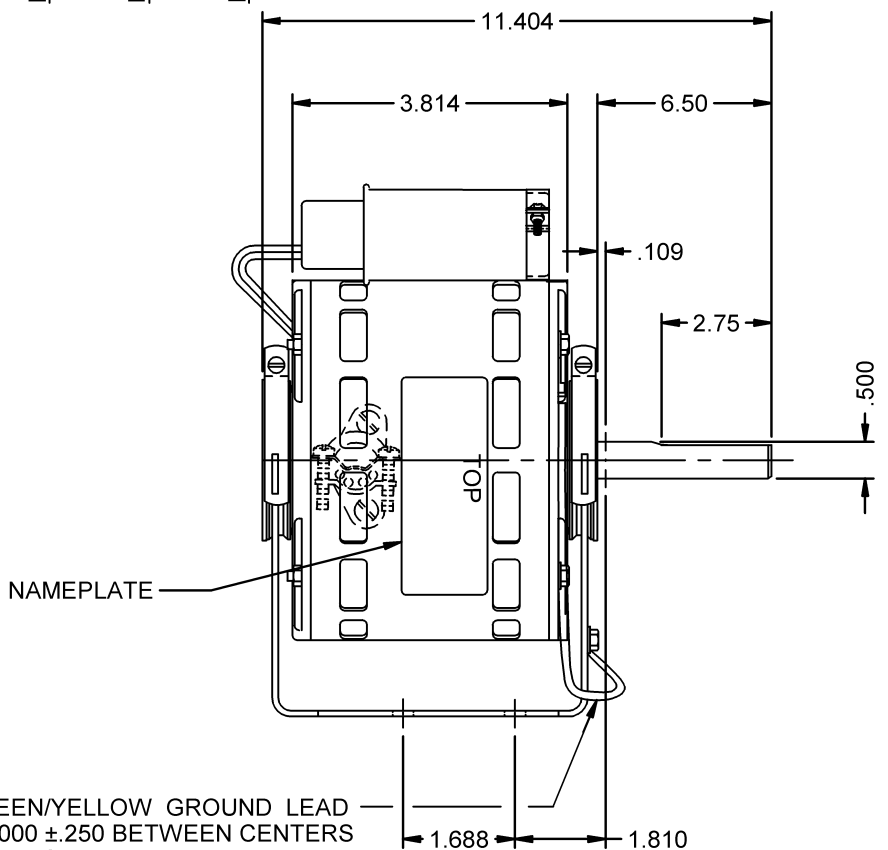
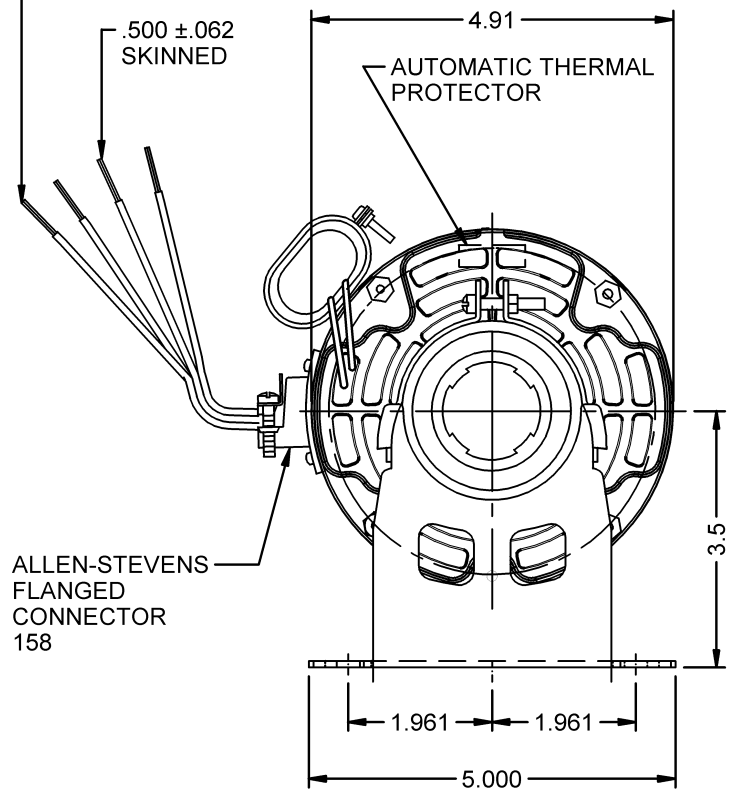


USE WITH A 6 MFD/370 VAC CAPACITOR

4 LEADS #18, 2/64 THICK INSUL. TO EXTEND 48" ±1.5 BEYOND MOTOR: (FOR COLOR SEE SCHEMATIC)



#16 GREEN/YELLOW GROUND LEAD TO BE 6.000 ±.250 BETWEEN CENTERS OF TERMINALS.

NIDEC MOTOR CORPORATION 08-Oct-12

MODEL	REF	CUSTOMER	HP	VOLTS	AMPS	HZ	RPM	ROTATION	CUSTOMER PN
K48HXCLV-1139	A30202	WHOLESALE - HAC	1/12	115-127	1.35	60	1375/3 SPD	CCW LEAD END	1211

SHEET NUMBER	REV	REVISION RECORD FOR: C6401-00	
1 OF 1	A	UPDATED ENGINEER APPROVED TO B. GAITAN.	
REVISION DATE			
08-OCT-12			
ISSUED BY	REVIEWED BY	ENGINEER APPROVED	REV. A
R. MORALES	M. LARGENT	B. GAITAN	

INFORMATION DISCLOSED ON THIS DOCUMENT IS CONSIDERED PROPRIETARY AND SHALL NOT BE REPRODUCED OR DISCLOSED WITHOUT WRITTEN CONSENT OF NIDEC MOTOR CORPORATION

ALL DIMENSIONS ARE FOR REFERENCE ONLY UNLESS TOLERANCE IS GIVEN

TITLE: **ASSEMBLED VIEW**

NIDEC MOTOR CORPORATION		CODE	ITEM NO.	SIZE
		V01	793358	A