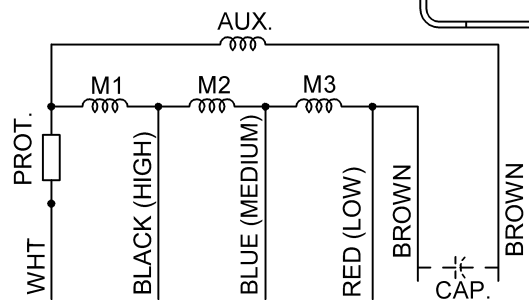
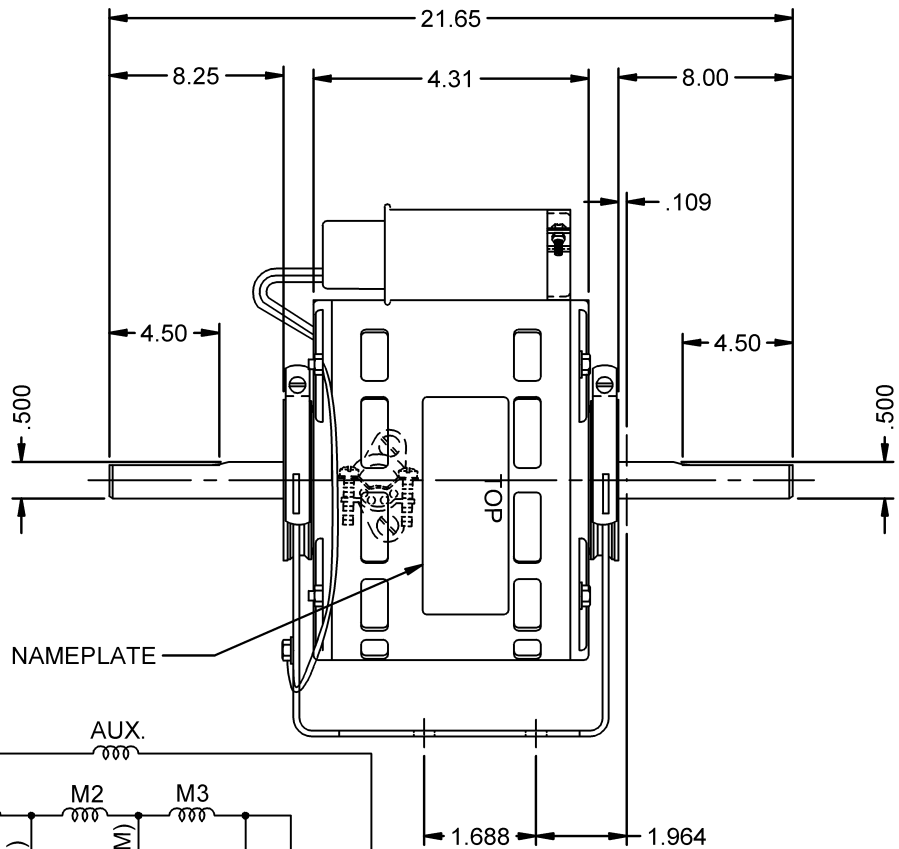
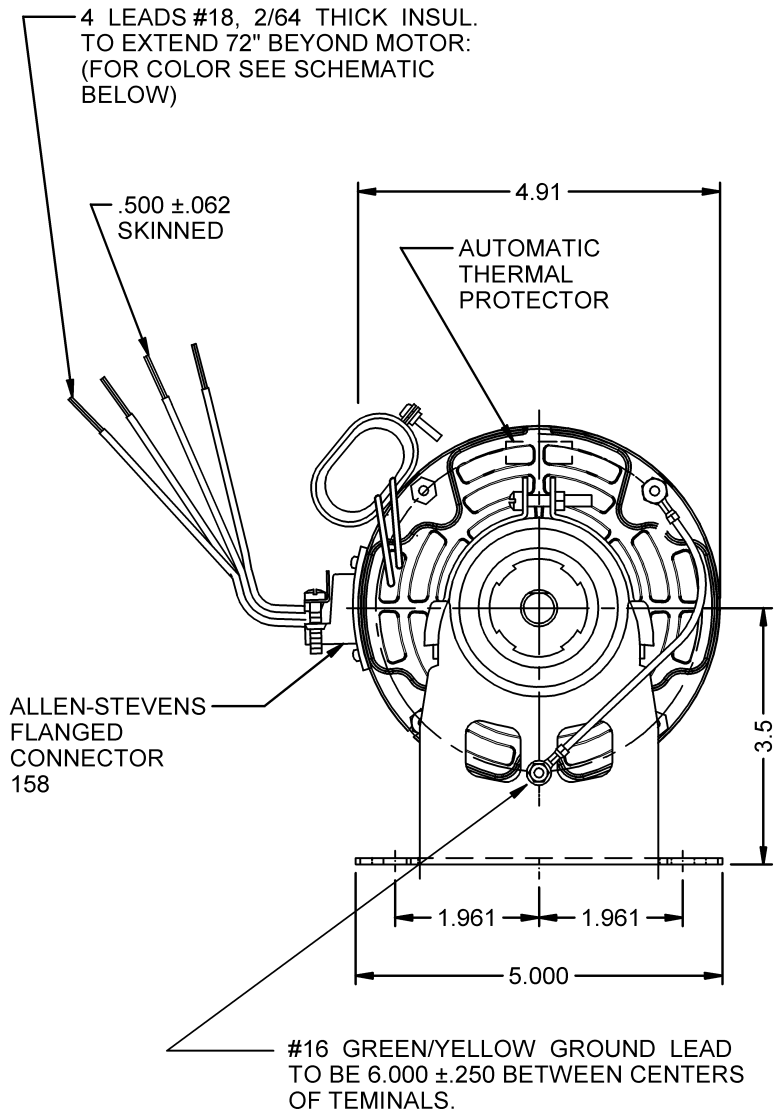


USE WITH A 5 MFD/370 VAC CAPACITOR



NIDEC MOTOR CORPORATION 09-Oct-12

MODEL	REF	CUSTOMER	HP	VOLTS	AMPS	HZ	RPM	ROTATION	CUSTOMER PN
K48HXCLU-1138	A30279X2	WHOLESALE - HAC	1/6	115-127	1.8	50	1350/3 SPD	CCW LEAD END	1210

SHEET NUMBER	REV	REVISION RECORD FOR: C6401-00	
1 OF 1	A	UPDATED ENGINEER APPROVED TO B. GAITAN.	
REVISION DATE			
09-OCT-12			
ISSUED BY	REVIEWED BY	ENGINEER APPROVED	REV. A
R. MORALES	M. LARGENT	B. GAITAN	

INFORMATION DISCLOSED ON THIS DOCUMENT IS CONSIDERED PROPRIETARY AND SHALL NOT BE REPRODUCED OR DISCLOSED WITHOUT WRITTEN CONSENT OF NIDEC MOTOR CORPORATION	
ALL DIMENSIONS ARE FOR REFERENCE ONLY UNLESS TOLERANCE IS GIVEN	
TITLE	CODE
ASSEMBLED VIEW	V01

NIDEC MOTOR CORPORATION	
ITEM NO.	SIZE
793355	A