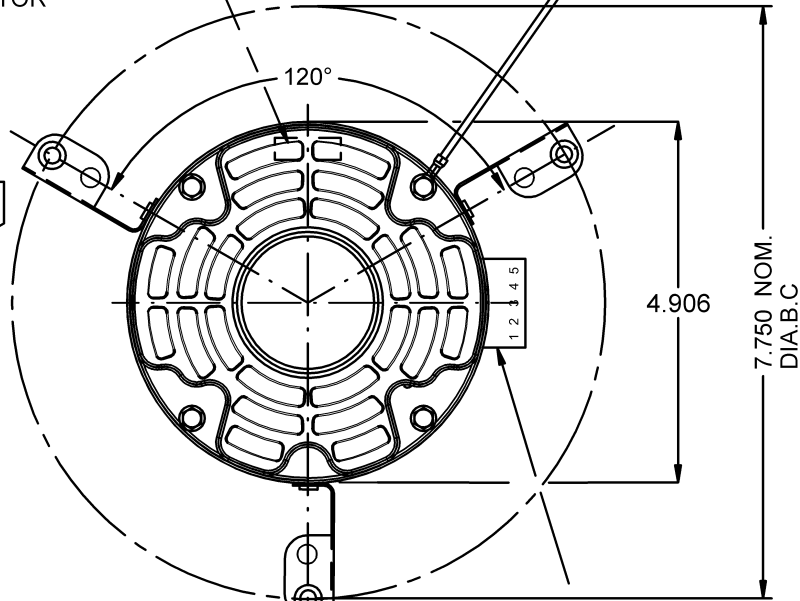


AUTOMATIC THERMAL PROTECTOR

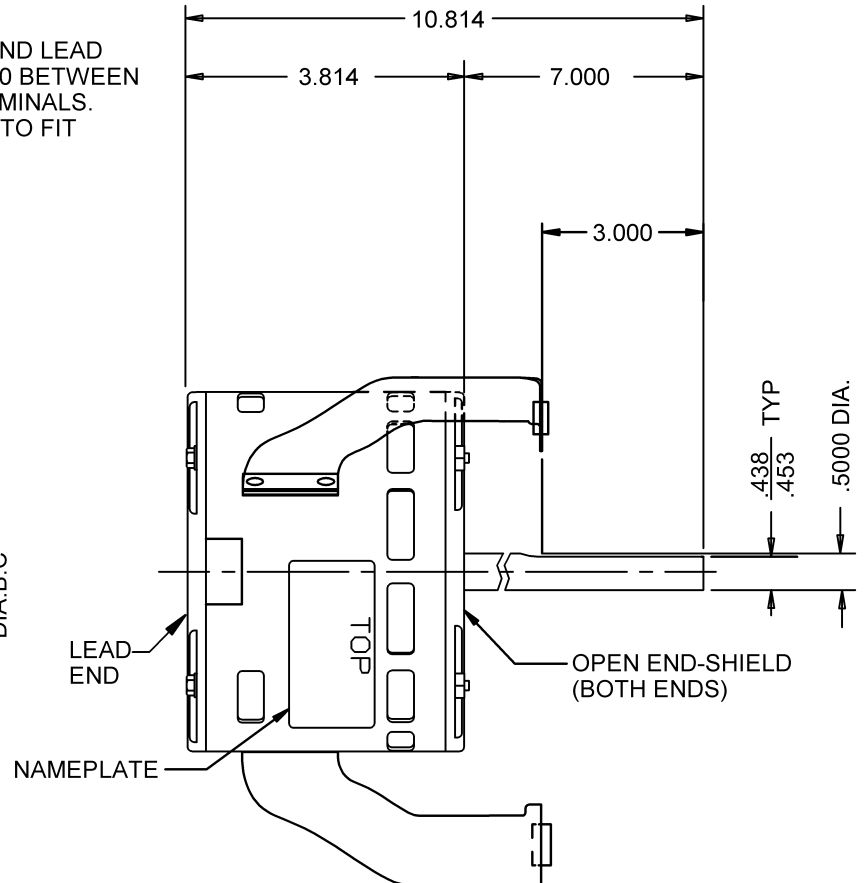
REV. B

GROMMET & EYELET IN EACH BRACKET

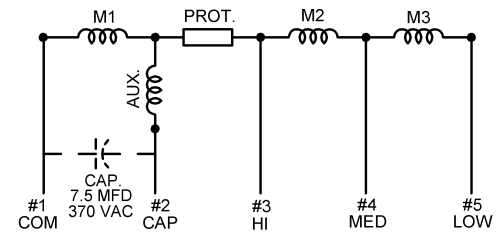


#16 GREEN GROUND LEAD TO BE 12.000±1.000 BETWEEN CENTERS OF TERMINALS. SERRATED TERM TO FIT #10 SCREW.

RECEPTACLE WITH (5) .250 MALE Q.C. TERMINALS



CAPACITOR ACROSS TERMINALS #1 & #2



NIDEC MOTOR CORPORATION 07-Jun-13

MODEL	REF	CUSTOMER	HP	VOLTS	AMPS	HZ	RPM	ROTATION	CUSTOMER PN	
K48HXCLW-1141	C33684X3	WHOLESALE-HAC	1/30	115	.73	60	1100/3 SPD	C.C.W. LEAD END	1218	
SHEET NUMBER 1 OF 1	REV B	REVISION RECORD FOR: C7771-00				INFORMATION DISCLOSED ON THIS DOCUMENT IS CONSIDERED PROPRIETARY AND SHALL NOT BE REPRODUCED OR DISCLOSED WITHOUT WRITTEN CONSENT OF NIDEC MOTOR CORPORATION				<b>NIDEC MOTOR CORPORATION</b>
CHANGED VIEW OF FLEXIBLE BRACKET.										
REVISION DATE										
07-JUN-13						ALL DIMENSIONS ARE FOR REFERENCE ONLY UNLESS TOLERANCE IS GIVEN				
ISSUED BY A. SANCHEZ	REVIEWED BY N. CALVIN	ENGINEER APPROVED N. CALVIN		TITLE ASSEMBLED VIEW				CODE V01	ITEM NO. 793349	SIZE A