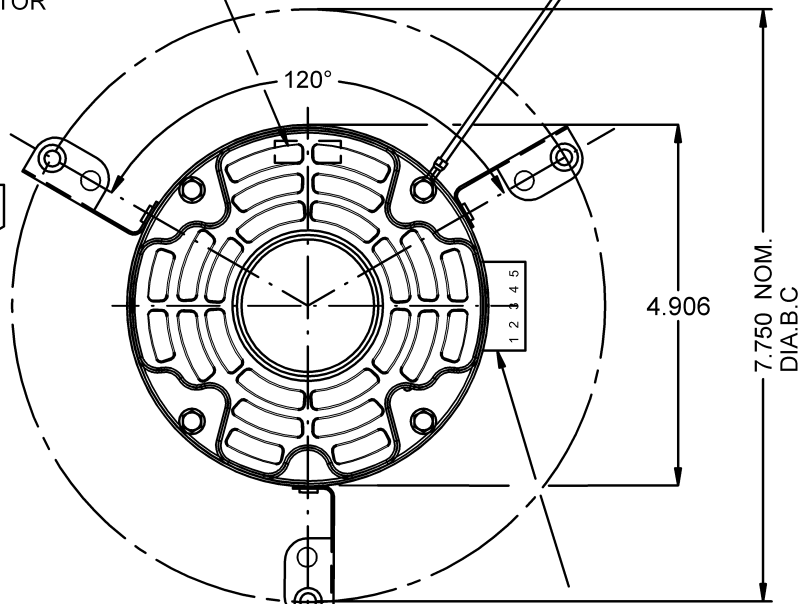


AUTOMATIC THERMAL PROTECTOR

REV. B

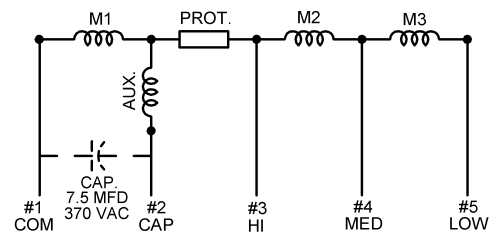
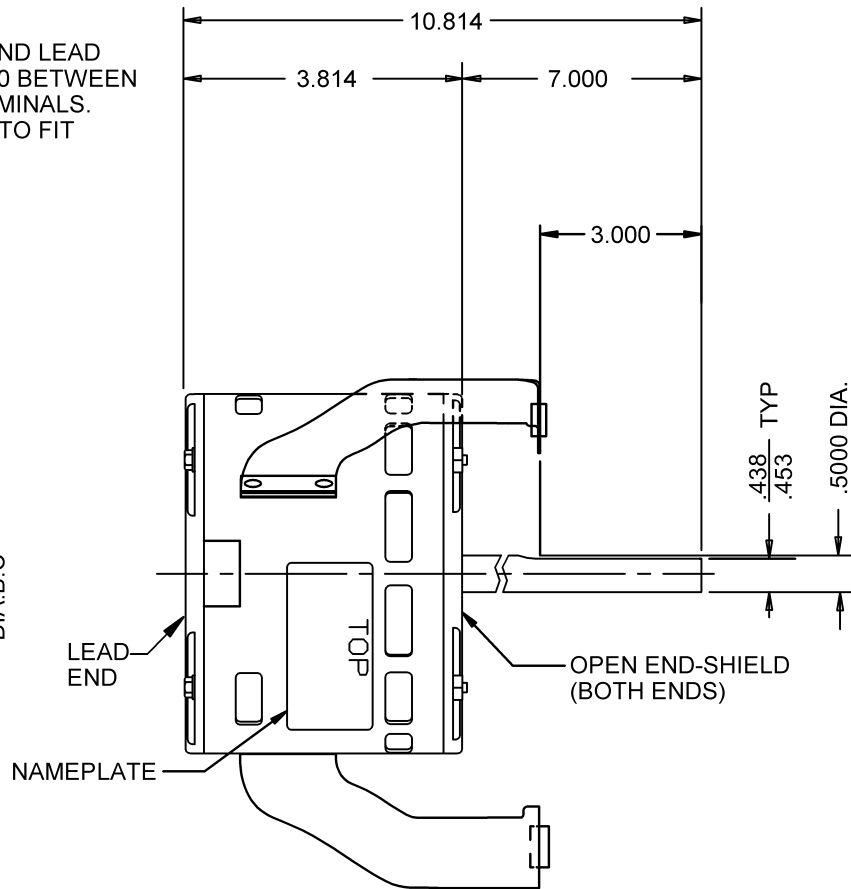
GROMMET & EYELET IN EACH BRACKET



#16 GREEN GROUND LEAD TO BE 12.000±1.000 BETWEEN CENTERS OF TERMINALS. SERRATED TERM TO FIT #10 SCREW.

RECEPTACLE WITH (5) .250 MALE Q.C. TERMINALS

CAPACITOR ACROSS TERMINALS #1 & #2



NIDEC MOTOR CORPORATION 07-Jun-13

MODEL	REF	CUSTOMER	HP	VOLTS	AMPS	HZ	RPM	ROTATION	CUSTOMER PN
K48HXCLE-1124	C33989	WHOLESALE-HAC	1/20	115	1.1	60	1100/3 SPD	C.CW. LEAD END	1258

SHEET NUMBER	REV	REVISION RECORD FOR: C7771-00		
1 OF 1	B	CHANGED VIEW OF FLEXIBLE BRACKET.		
REVISION DATE				
07-JUN-13				
ISSUED BY	REVIEWED BY	ENGINEER APPROVED		
A. SANCHEZ	N. CALVIN	N. CALVIN		

<p>INFORMATION DISCLOSED ON THIS DOCUMENT IS CONSIDERED PROPRIETARY AND SHALL NOT BE REPRODUCED OR DISCLOSED WITHOUT WRITTEN CONSENT OF NIDEC MOTOR CORPORATION</p> <p>ALL DIMENSIONS ARE FOR REFERENCE ONLY UNLESS TOLERANCE IS GIVEN</p>	
TITLE	CODE
ASSEMBLED VIEW	V01
ITEM NO.	SIZE
793325	A

<p>NIDEC MOTOR CORPORATION</p>	
ITEM NO.	SIZE
793325	A