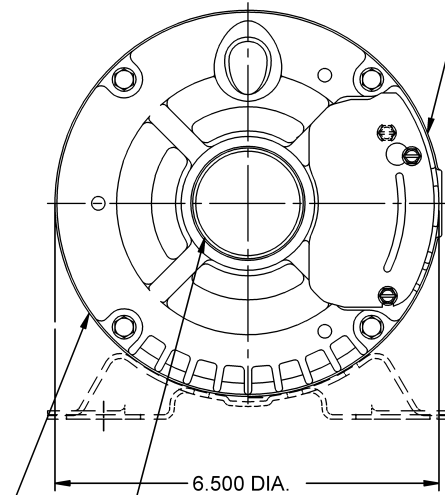


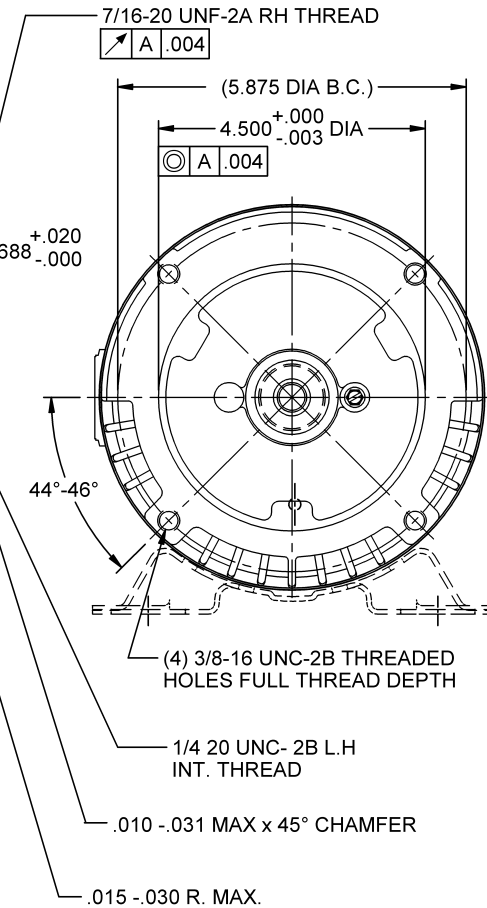
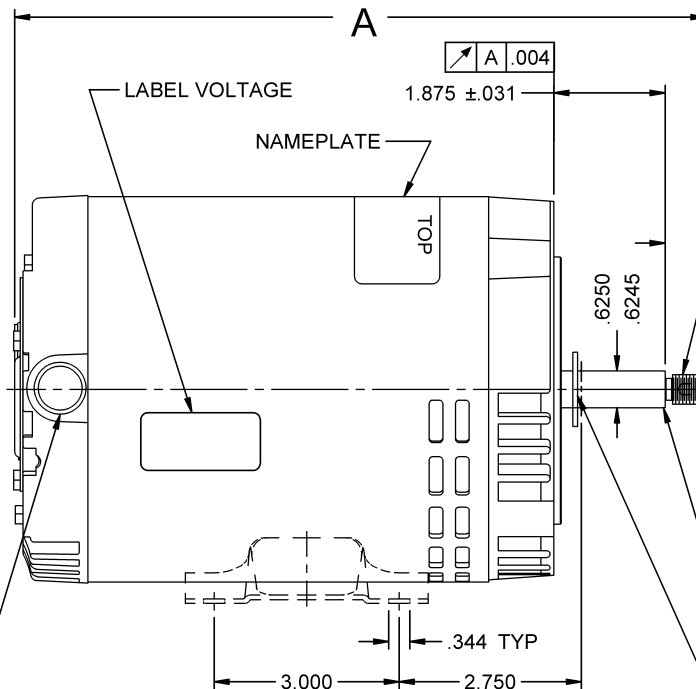
9 LEADS W8C2 LEAD WIRE TO EXTEND
6.000+2.000-0.000 INCHES BEYOND
TERMINAL COVER AND TUCKED
UNDER TERMINAL COVER
LEADS TO BE SKINNED .750±.125



SEAM
WELD

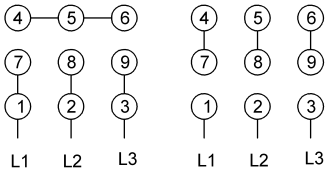
CONDUIT PLUG
1/2-14 NPSM THREAD

BEARING CAP
REMOVAL SLOT



208-230 VOLTS

460 VOLTS



NOTES:

- 1.) MOTOR TO BE SHIPPED CONNECTED FOR 230 VOLTS
- 2.) SHAFT EXTENSION 316SS
- 3.) SHAFT EXTENSION TO BE CLEAN AND FREE OF CONTAMINANTS.

SHEET NUMBER		REV	REVISION RECORD FOR: JC 67731	
1 OF 2		--	NEW DRAWING CREATED	
REVISION DATE				
19-JUL-12				
ISSUED BY		REVIEWED BY	ENGINEER APPROVED	
L.GARZA		O. CERDA	O. CERDA	

INFORMATION DISCLOSED ON THIS DOCUMENT
IS CONSIDERED PROPRIETARY AND SHALL NOT BE
REPRODUCED OR DISCLOSED WITHOUT WRITTEN
CONSENT OF NIDEC MOTOR CORPORATION

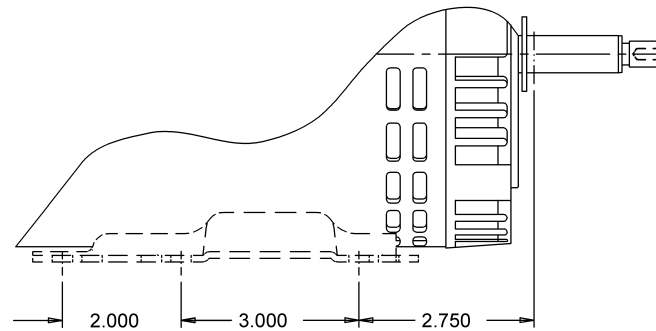
**NIDEC MOTOR
CORPORATION**

ALL DIMENSIONS ARE FOR REFERENCE ONLY UNLESS TOLERANCE IS GIVEN

TITLE		CODE	ITEM NO.	SIZE
ASSEMBLED VIEW		V01	792916	B

NIDEC MOTOR CORPORATION 19-Jul-12

VAR	MODEL	CUSTOMER	CUST PT. NO.	A	HP	VOLTS	SF	SF AMPS	HZ	RPM	50 HZ VOLTS	50 HZ AMPS	BEARINGS	ROTATION	FACTORY WIRED FOR	BASE REQUIRED
001	P63EKU-5009	WHOLESALE - FLUID SYSTEMS	EE155	10.87	1/2	208-230/460	1.6 / 1.0	2.6-2.4/1.2	60/50	3450/2850	190/380-415	1.9/1.95-.92	BALL	CCW SHAFT END	LOW VOLTAGE	NO
002	P63ELC-5016	WHOLESALE - FLUID SYSTEMS	EE446	10.87	3/4	208-230/460	1.5 / 1.0	3.7-3.6/1.8	60/50	3450/2850	190/380-415	3.0/1.5-1.6	BALL	CCW SHAFT END	LOW VOLTAGE	NO
003	P63ELD-5017	WHOLESALE - FLUID SYSTEMS	EE506	11.87	1	208-230/460	1.4 / 1.0	4.4-4.2/2.1	60/50	3450/2850	190/380-415	3.6/1.8-1.9	BALL	CCW SHAFT END	LOW VOLTAGE	NO
004	P63ELE-5018	WHOLESALE - FLUID SYSTEMS	EE155B	10.87	1/2	208-230/460	1.6 / 1.0	2.6-2.4/1.2	60/50	3450/2850	190/380-415	1.9/1.95-.92	BALL	CCW SHAFT END	LOW VOLTAGE	N56
005	P63ELG-5020	WHOLESALE - FLUID SYSTEMS	EE446B	10.87	3/4	208-230/460	1.5/ 1.0	3.7-3.6/1.8	60/50	3450/2850	190/380-415	3.0/1.5-1.6	BALL	CCW SHAFT END	LOW VOLTAGE	N56
006	P63ELH-5021	WHOLESALE - FLUID SYSTEMS	EE506B	11.87	1	208-230/460	1.4 / 1.0	4.4-4.2/2.1	60/50	3450/2850	190/380-415	3.6/1.8-1.9	BALL	CCW SHAFT END	LOW VOLTAGE	N56



PARTIAL VIEW
SHOWING N56H BASE

SHEET NUMBER	REV	REVISION RECORD FOR: JC 67731			INFORMATION DISCLOSED ON THIS DOCUMENT IS CONSIDERED PROPRIETARY AND SHALL NOT BE REPRODUCED OR DISCLOSED WITHOUT WRITTEN CONSENT OF NIDEC MOTOR CORPORATION	NIDEC MOTOR CORPORATION		
2 OF 2	--	NEW DRAWING CREATED						
REVISION DATE								
19-JUL-12								
ISSUED BY		REVIEWED BY	ENGINEER APPROVED		ALL DIMENSIONS ARE FOR REFERENCE ONLY UNLESS TOLERANCE IS GIVEN			
L.GARZA		O. CERDA	O. CERDA		TITLE	CODE	ITEM NO.	SIZE
NIDEC MOTOR CORPORATION 19-Jul-12					ASSEMBLED VIEW	V01	792916	B