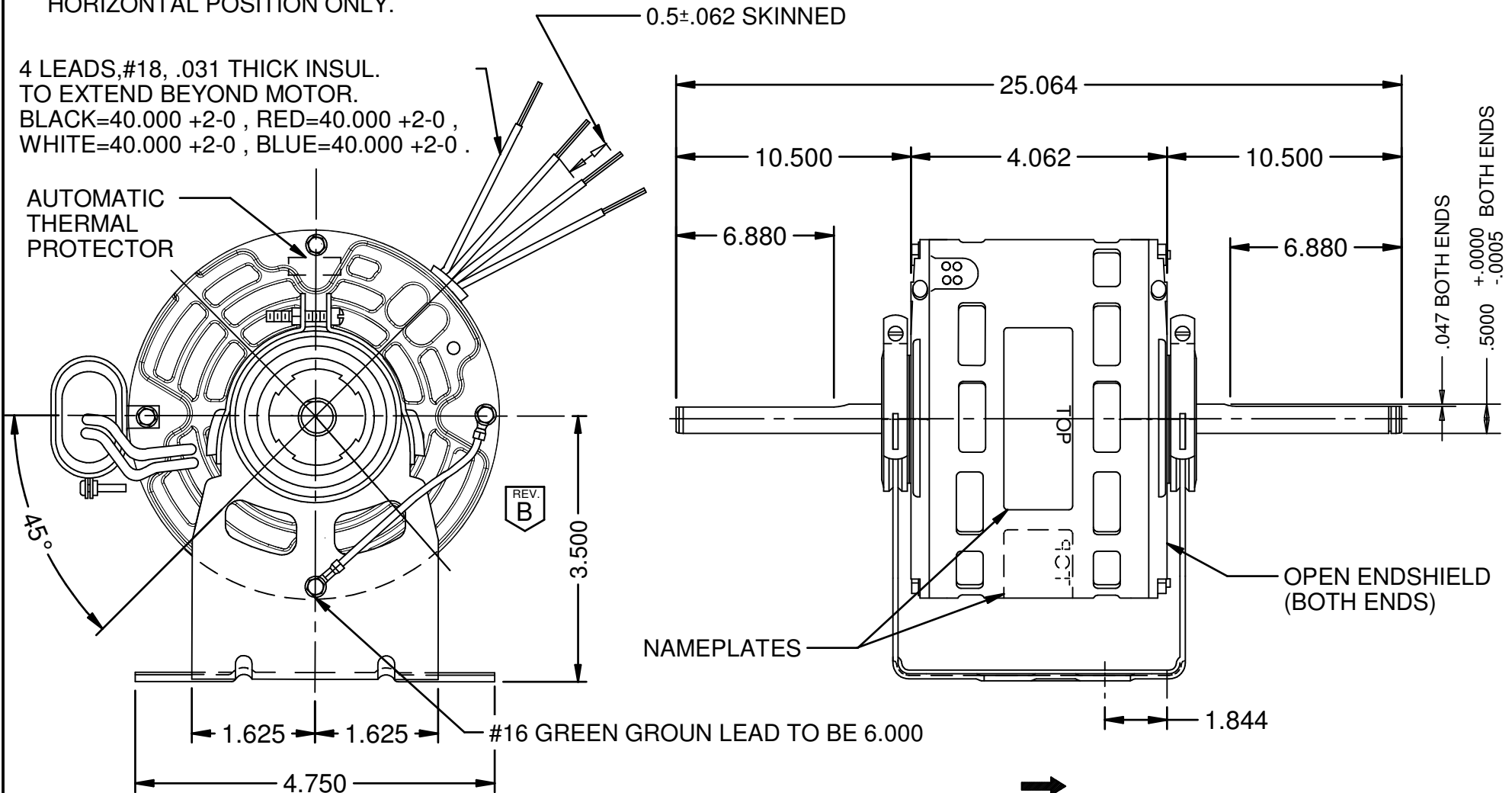


NOTE: MOTOR TO BE MOUNTED IN A HORIZONTAL POSITION ONLY.

4 LEADS, #18, .031 THICK INSUL. TO EXTEND BEYOND MOTOR.  
 BLACK=40.000 +2-0 , RED=40.000 +2-0 ,  
 WHITE=40.000 +2-0 , BLUE=40.000 +2-0 .



MOTOR TO BASE GREEN/YELLOW GROUND WIRE

NIDEC MOTOR CORPORATION 17-May-16

MODEL	REF	CUSTOMER	HP	VOLTS	AMPS	HZ	RPM	ROTATION	CUSTOMER PN
K48HXWGT-0198	A33056-X3	NIDEC MOTOR CANADA CORPORATION	1/6	115	2.3	60	1500/3 SPD	CW. LEAD END	1192
REVISION RECORD FOR: E25846			INFORMATION DISCLOSED ON THIS DOCUMENT IS CONSIDERED PROPRIETARY AND SHALL NOT BE REPRODUCED OR DISCLOSED WITHOUT WRITTEN CONSENT OF NIDEC MOTOR CORPORATION				<b>NIDEC MOTOR CORPORATION</b>		
SHEET NUMBER	REV	CHANGED GROUND LEAD AT 3:00							
1 OF 1	B								
REVISION DATE			ALL DIMENSIONS ARE FOR REFERENCE ONLY UNLESS TOLERANCE IS GIVEN						
17-MAY-16			TITLE				CODE	ITEM NO.	SIZE
ISSUED BY		REVIEWED BY	ENGINEER APPROVED	ASSEMBLED VIEW			V01	791825	A
B. ANDRADE		B. GAITAN	B. GAITAN						