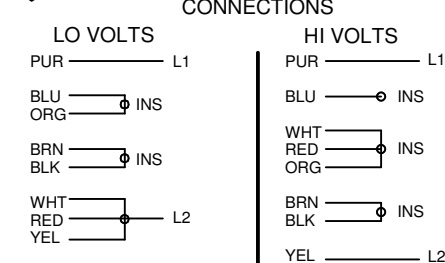
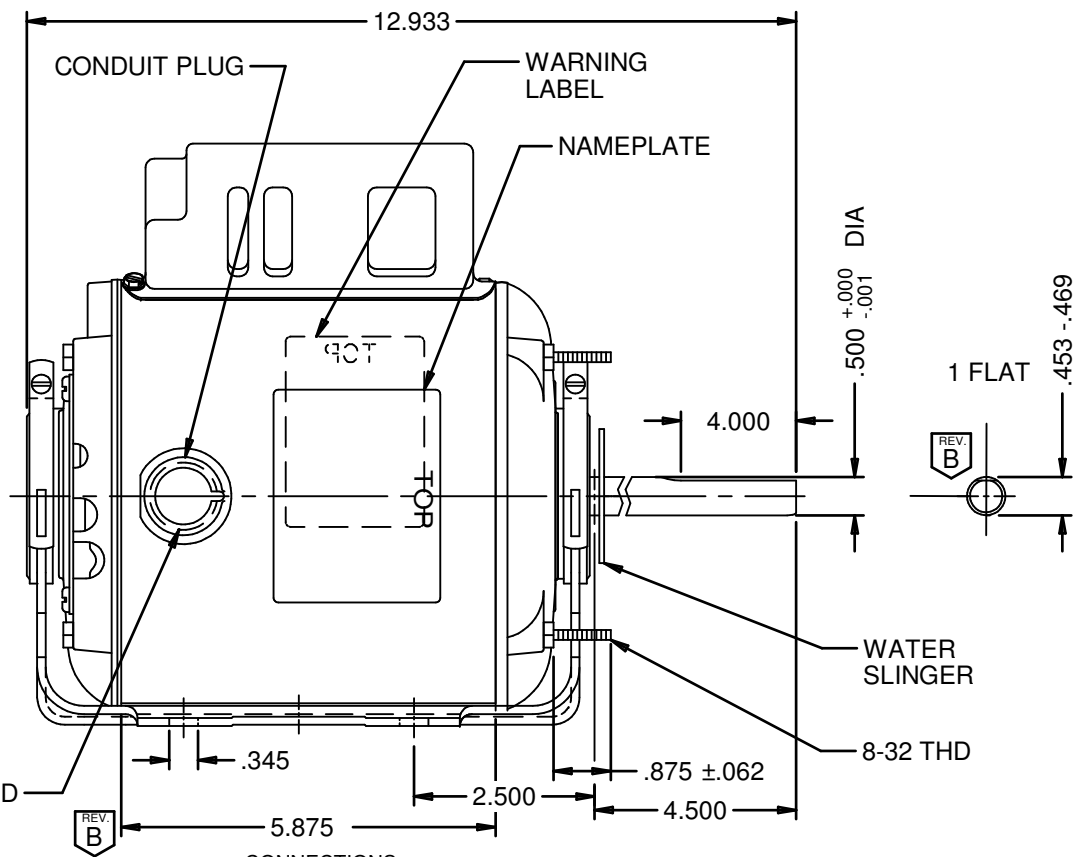


GROUND LEAD

8 LEADS, #18, .031 THICK INSUL. TO EXTEND BEYOND MOTOR  
 PUR=6.000 +2 -0, BLK=6.000 +2 -0  
 BLU=6.000 +2 -0, WHT=6.000 +2 -0  
 ORG=6.000 +2 -0, RED=6.000 +2 -0  
 BRN=6.000 +2 -0, YEL=6.000 +2 -0  
 LEADS TO BE BUNDLED UNDER TERM. COVER IN INTERNAL CONN. BOX.  
 LEADS TO BE SKINNED .500±.062



SHIPPED DETACHED  
1- SHAFT ADAPTER KIT

NIDEC MOTOR CORPORATION 06-Mar-17

MODEL	REF	CUSTOMER	HP	VOLTS	AMPS	HZ	RPM	ROTATION	CAPACITOR
K55HXDTS-1234	--	NIDEC MOTOR CANADA CORPORATION	1/2	115/230	5.6/2.8	60	1725	CCW LEAD END REV.	20 MFD, 370 VAC
									CUSTOMER PN
									1899

SHEET NUMBER	REV	REVISION RECORD FOR: E28139
1 OF 1	B	ADDED DIMENSION OF SHELL AND FLAT ON TOP
REVISION DATE		
06-MAR-17		

INFORMATION DISCLOSED ON THIS DOCUMENT IS CONSIDERED PROPRIETARY AND SHALL NOT BE REPRODUCED OR DISCLOSED WITHOUT WRITTEN CONSENT OF NIDEC MOTOR CORPORATION

**NIDEC MOTOR CORPORATION**

ISSUED BY <b>A. SAUCEDO</b>	REVIEWED BY <b>T. BOSSALLER</b>	ENGINEER APPROVED <b>M. LARGENT</b>
--------------------------------	------------------------------------	--

TITLE <b>ASSEMBLED VIEW</b>		CODE <b>V01</b>	ITEM NO. <b>791223</b>	SIZE <b>A</b>
--------------------------------	--	--------------------	---------------------------	------------------